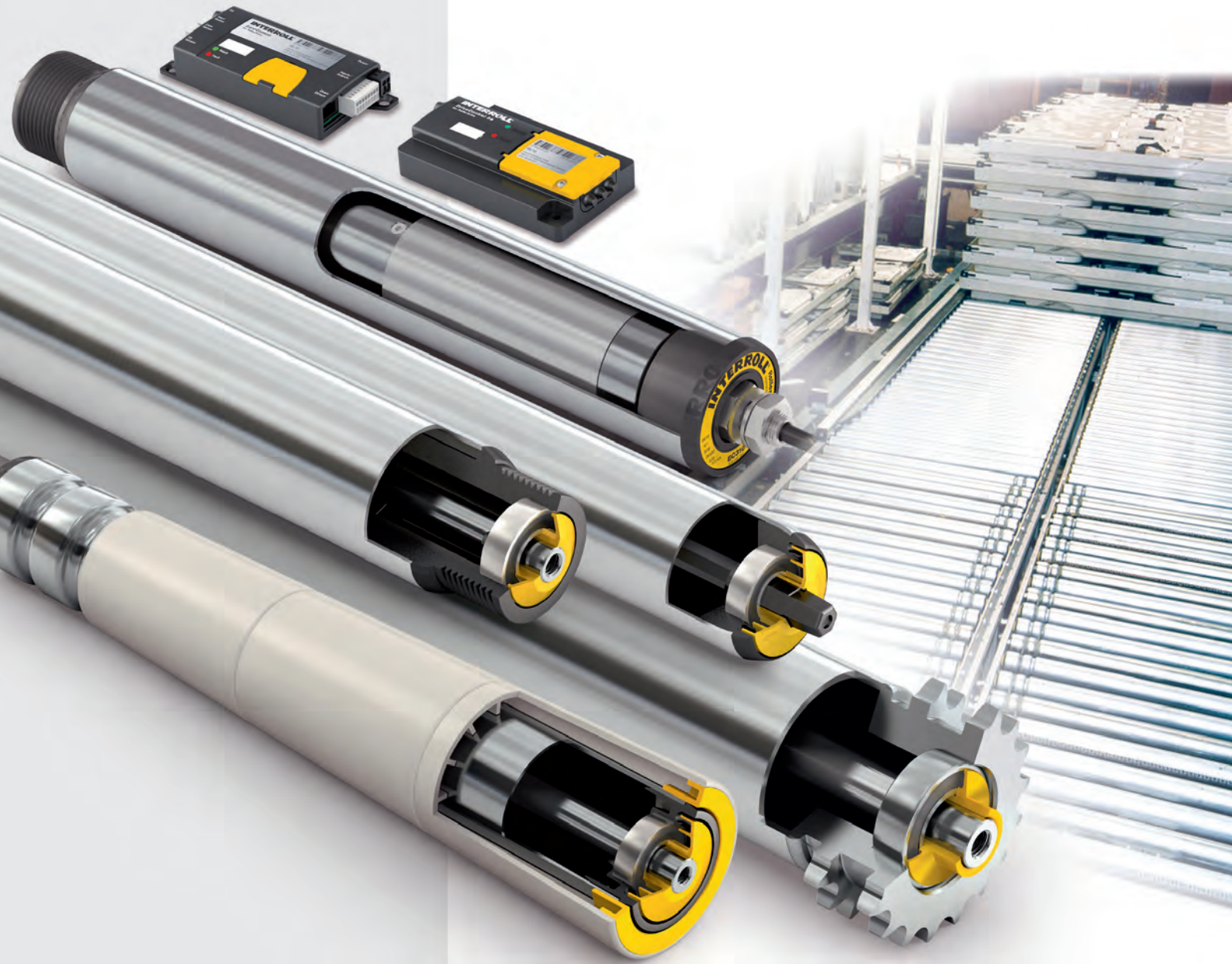




WE MAKE THE WORLD MOVE






CONVEYOR ROLLERS  
ROLLER DRIVES  
DRIVE CONTROLS

WWW.INTERROLL.COM

INTERROLL  
CORPORATE  
ART

# TABLE OF CONTENTS

				DRIVE CONCEPTS					
				Gravity	Flat belt	Round belt	Chain	Toothed belt	PolyVee Belts
<b>Products for lightweight materials to be transported</b>	Conveyor Rollers	Series 1100	p 12	✓					
		Series 1500	p 16	✓	✓				
		Series 1700 light	p 18	✓	✓				
		Series 3500KXO light	p 22	✓		✓			
<b>Products for medium-heavy materials to be transported</b>	Conveyor Rollers	Series 1100	p 28	✓					
		Series 1200	p 32	✓	✓				
		Series 1500	p 36	✓	✓				
		Series 1700	p 38	✓	✓	✓			
		Series 1700KXO	p 46	✓	✓	✓			
		Series 3500	p 50		✓	✓	✓	✓	✓
		Series 3500KXO	p 58			✓	✓		✓
		Series 3560	p 62				✓		
		Series 3800	p 66				✓	✓	
		Series 3860	p 74				✓		
	Series 3870	p 78				✓			
	RollerDrives	BT100	p 84			✓			✓
		BT100 IP66	p 88			✓			
		EC310	p 92			✓		✓	✓
EC310 IP66		p 98			✓		✓	✓	
<b>Products for heavy materials to be transported</b>	Conveyor Rollers	Series 1450	p 118	✓					
		Series 3560	p 122				✓		
		Series 3600	p 126				✓	✓	
		Series 3950	p 130				✓		
<b>Other Conveyor Elements and Accessories</b>	Pressure Rollers	Series 2600	p 136		✓	✓			
	Ball Transfer Units	Series 5500	p 138	✓					
		Series 5000	p 142	✓					
	Conveyor Wheels	Series 2130	p 146	✓					
		Series 2370	p 148	✓					
		Series 2200	p 150	✓					
	OmniWheels	Series 2500	p 152	✓					
		Series 2800	p 154	✓					
	Roller Tracks	Series BU40	p 156	✓					
		Series BU50	p 158	✓					
Series Floway		p 160	✓						
<b>DriveControls</b>	Controls for RollerDrives	DriveControl 20	p 104						
		DriveControl 54	p 106						
		ZoneControl	p 108						
		Z-Card BT	p 112						

	Page
<b>Who is Interroll?</b>	<b>2</b>
<b>Interroll Business Units</b>	<b>4</b>
<b>Interroll Product Overview</b>	<b>6</b>
<b>Solutions for Lightweight Materials to be Transported</b> 	<b>8</b>
Conveyor Rollers	<b>10</b>
<b>Solutions for Medium-Heavy Materials to be Transported</b> 	<b>24</b>
Conveyor Rollers	<b>26</b>
RollerDrives	<b>82</b>
DriveControls	<b>102</b>
<b>Solutions for Heavy Materials to be Transported</b> 	<b>114</b>
Conveyor Rollers	<b>116</b>
<b>Other Conveyor Elements and Accessories</b>	<b>134</b>
Pressure Rollers	<b>136</b>
Ball Transfer Units	<b>138</b>
Conveyor Wheels	<b>146</b>
OmniWheels	<b>152</b>
Roller Tracks	<b>156</b>
<b>Planning Section</b>	<b>168</b>
<b>Material Specification</b>	<b>222</b>





# WHO IS INTERROLL?

Interroll is one of the world's leading specialists within the field of materials handling, logistics and automation. With its headquarters in Sant'Antonino, Switzerland, the exchange-listed company employs some 1,500 people at 28 enterprises around the globe.

### In which sectors are Interroll's core products used?

Intelligent products made by Interroll perform a multitude of tasks around the globe – day in, day out; wherever goods need to be conveyed, stored and distributed; in every sector imaginable and along the entire value chain. Designed as core products for key locations along materials flow systems, Interroll solutions have proved particularly popular in the food and beverage industry, in the field of airport logistics (baggage conveying and security technology), in the courier, express delivery and postal sector, in the area of logistical services, as well as in the industrial and healthcare sectors.

### Who are Interroll's customers?

Interroll's range of state-of-the-art drive solutions, such as drum motors, is targeted principally at regional system engineering companies and original equipment manufacturers. Conveyor modules (e. g. for dynamic storage solutions) and subsystems (e. g. crossbelt sorters) are supplied mainly to global system integrators, multinational companies and end-users. Interroll serves more than 23,000 customers across all continents.

### Interroll – one brand, three pillars

Three globally operating business units located under one roof in a strategic holding company in the Swiss town of Sant'Antonino provide clear market and product-specific guidance for the group's activities: Interroll Drives & Rollers, Interroll Dynamic Storage, and Interroll Automation.

### Which customer requirements does Interroll meet?

From the initial idea until a material flow system is ramped up, Interroll focuses on the needs of the

different customer and project partners. Interroll supports users, planners, and consulting firms with: Application consultancy, worldwide references, access to the latest innovations, worldwide consistent quality, energy and space-saving solutions with operational simplicity and safety.

Users take advantage of a short amortization period (2-3 year return on investment), low maintenance costs, price-effective operations (savings in energy and space), low noise levels, above-average life-span and quality, 24/7 service, and user friendly documentation – in short – of everything which optimizes the "Total Cost of Ownership".

Interroll offers system integrators and OEMs: Layout and product advice, knowhow obtained from worldwide references, a comprehensive range of modular products that are rapidly available anywhere in the world, have specific installation instructions, abbreviated installation times, and simplified integration of pre-installed product solutions (plug and play) which correspond to industry standards (EC, UL, etc.).

### Interroll's key markets



Food & Beverage Industry



Manufacturing



Parcel, Postal and Courier



Distribution



Airport Industry



Health Care Industry





# INTERROLL – ONE BRAND, THREE PILLARS

## Interroll Drives & Rollers

### The heart of the conveyor technology

With an experienced eye for the big picture, we offer you the kind of components that are versatile and essential building blocks in the portfolio of any successful planner or developer.

- Drum Motors and Idler Pulleys
- Zone-controlled RollerDrives and PolyVee Drive Units
- Gravity Rollers
- Fixed Drive Conveyor Rollers
- Friction Drive Conveyor Rollers
- Tapered Conveyor Rollers
- Conveyor Wheels
- Omniwheels
- Ball Transfer Units
- Roller Tracks

Our product portfolio represents a proven quality standard for dynamic, efficient material flow across all continents and in all sectors. Interroll solutions convey, accumulate, insert, remove and combine goods. Powered or with gravity. With or without accumulation pressure. Easy to install drive solutions for new plants or to refurbish existing plants. Excellent products that will pay for themselves and that you can rely on. In every respect.

## Interroll Automation

### The hub of distribution logistics

Millions of items travel through the world's flow of goods every day. Ever more varied, individually commissioned products must be delivered on time to the correct destination. This is a trend that requires a performance-based logistics system with economic material flow solutions. Interroll's innovative conveyor modules and subsystems are always ready for systems and their key locations:

- Crossbelt Sorters
- Belt Curves
- Spiral Curves
- Intelliveyor Conveyor Modules with zero-pressure accumulation
- Roller Conveyors
- Belt Conveyors
- Merges

Precisely pre-assembled at the factory and rapidly delivered, the conveyor modules and subsystems can be easily integrated into the larger complete system – plug and play. The conveyor modules and subsystems provide users with key assurances: excellent availability whilst being easy to use; outstanding efficiency even at low throughput volumes; efficient investment with a short period of return on investment (two to three years); adaptability in the event of change.

## Interroll Dynamic Storage

### Excellence in order picking

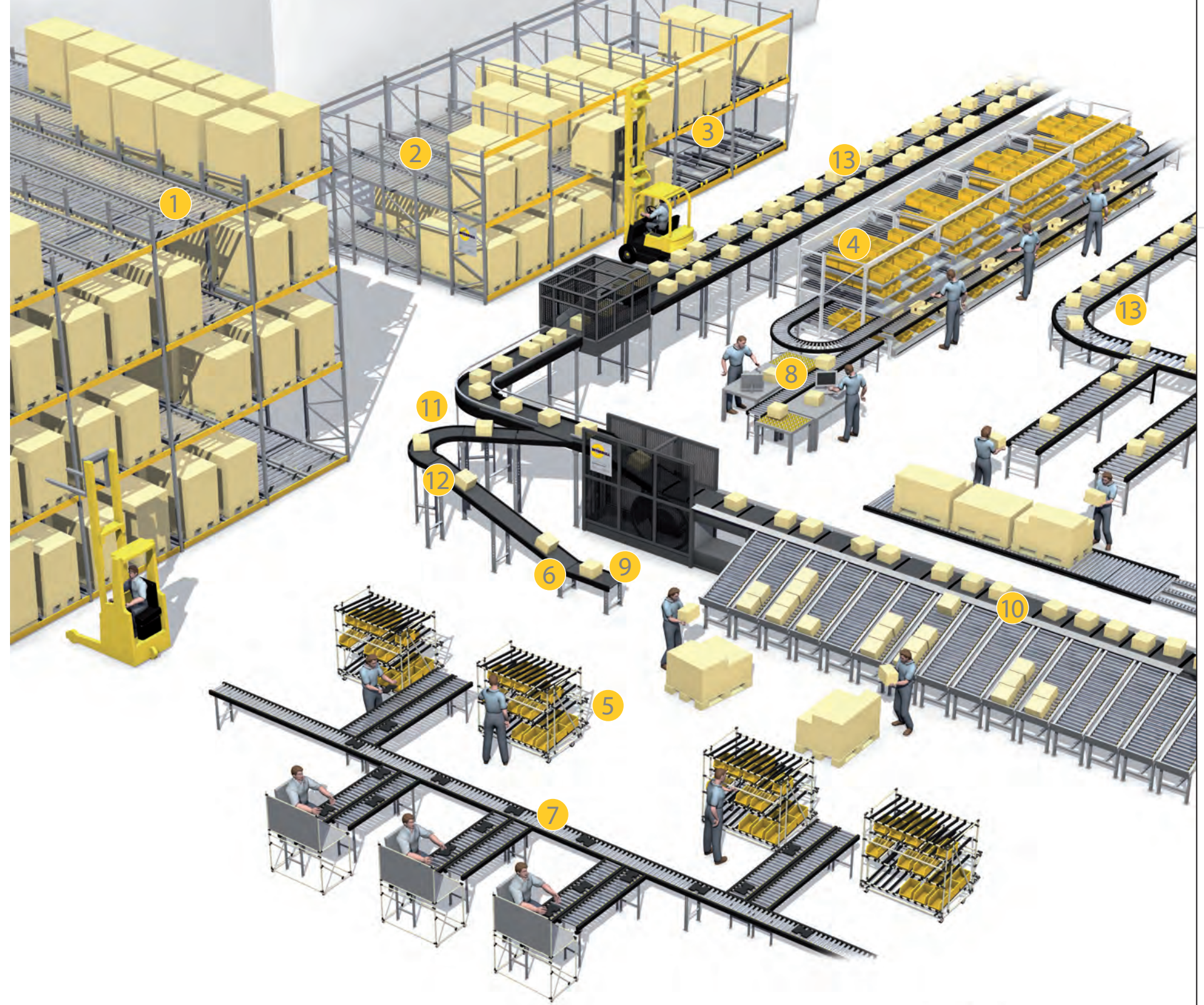
Efficient and user-friendly: the dynamic storage solution that operates without energy. It is designed for fast-moving goods (e. g. groceries) that have to be picked and quickly conveyed to consumers. The principle is as simple as it is ingenious. It is known as FIFO, First in – First out, and guarantees that what has been stored first is also picked first. Or LIFO, Last in – First out, when what has been stored last is picked first. It means making maximum use of minimal space. And because the needs of our customers are as diverse as their products, our central and peripheral subsystems offer unlimited design options.

- Flow Storage
- Speed Controller
- Safety Separators
- Universal Connectors
- Wheel Flow
- Pushback
- Flex Flow
- Roller Flow

The picking times can scarcely be beaten. The return on investment for the operator is less than two years. Of course, "Just in Time" comes as standard.



# INTERROLL – THE MOST GLOBAL PROVIDER OF KEY PRODUCTS FOR MATERIAL HANDLING SOLUTIONS



- ① FIFO - Pallet flow storage modules (Conveyor Rollers)
- ② LIFO - Pallet flow storage modules (Conveyor Rollers)
- ③ LIFO - Pallet flow storage modules (Cart Pushback)
- ④ Order picking racking with Carton Flow (Roller Track)
- ⑤ Order picking racking with Flex Flow
  
- ⑥ Drum Motors, Idler Pulleys, brackets
- ⑦ 24 V DC RollerDrives and Controls
- ⑧ Conveyor Rollers and Accessories
- ⑨ Idler Pulleys
  
- ⑩ Crossbelt Sorters
- ⑪ Belt Curves
- ⑫ Belt Conveyor Modules
- ⑬ Intelliveyor Modules for zero pressure accumulation (ZPA) Conveyors

## Interroll Solutions

- for Lightweight Materials to be Transported
- for Medium-Heavy Materials to be Transported
- for Heavy Materials to be Transported

p 8  
p 24  
p 114







## SOLUTIONS FOR LIGHTWEIGHT MATERIALS TO BE TRANSPORTED

With this product range, you can set up roller conveyors for lightweight, small and, to some extent, medium-heavy materials to be transported, for example for paper in a printing machine, for bottles, small containers for the pharmaceutical or beverage industries or small cardboard boxes in the packaging industry weighing up to 35 kg and at conveyor speeds of up to 1.5 m/s. The load capacity of these products is up to 350 N per conveyor roller.

### Products for lightweight materials to be transported

➔ **Conveyor Rollers**

The basis of every roller conveyor

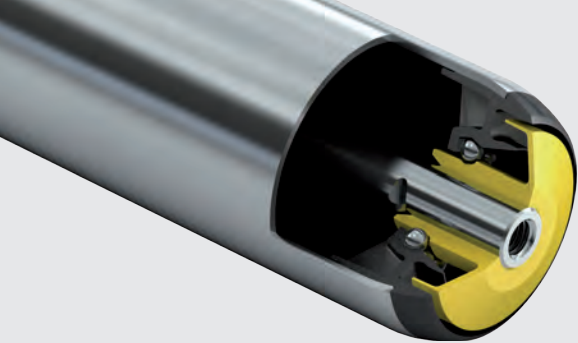
p 10





## OVERVIEW OF CONVEYOR ROLLERS

	Smooth-running Conveyor Roller	Slide Bearing Conveyor Roller		Lightweight Conveyor Roller	Tapered Fixed Drive Conveyor Roller
	Series 1100	Series 1500		Series 1700 light	Series 3500KXO light
<b>Max. load capacity</b>	350 N	120 N		150 N	150 N
<b>Applications</b>	Gravity	Moist area		Universal	Fixed drive curve
<b>Drive concepts</b>					
Gravity	✓	✓		✓	✓
Flat belt		✓		✓	
Round belt					✓
Chain					
Toothed belt					
PolyVee belt					
	<i>see page 12</i>	<i>see page 16</i>		<i>see page 18</i>	<i>see page 22</i>



# SMOOTH-RUNNING CONVEYOR ROLLER SERIES 1100

*The gravity roller with optimised light start-up*



Conveyor Rollers  
Gravity  
Series 1100

## Product Description

- Cost-effective, corrosion-proof gravity roller
    - Use of stainless steel balls
  - Gentle lateral pushing of the materials to be conveyed
    - Rounded tube ends
  - Protects the bearing from coarse dirt and liquids
    - Integral water-repellent groove
  - Resistant to dirt
    - Smooth surfaces
- 
- In-house conveyor technology
  - Only gravity applications
- 
- Silent, precise smooth-running roller due to special steel ball bearings and tube made of polypropylene.
  - Form-fit join of the bearing housing with the tube above a diameter of 30 mm to avoid slipping of the bearing seat.
- 
- Platform 1100

## Technical Data

General technical data	
Max. load capacity	350 N
Max. conveyor speed	0.3 m/s
Temperature range	-5 to +40 °C
Materials	
Bearing housing	Polypropylene
Seal	Polypropylene
Ball	Carbon steel or stainless steel 1.4301

The dynamic load and the surface load are the assumptions for the load capacity. The shaft version can be selected at will.

Tube material	Ø Tube mm	Ø Shaft mm	Max. load capacity in N												
			with an installation length of mm												
			100	200	300	400	500	600	700	800	900	1,000	1,100	1,200	
PVC	16 x 1.0	5	33	7	3	2	-	-	-	-	-	-	-	-	-
	20 x 1.5	6	90	20	10	5	-	-	-	-	-	-	-	-	-
	30 x 1.8	8	120	100	40	20	15	10	-	-	-	-	-	-	-
	40 x 2.3	8	180	180	130	70	40	30	-	-	-	-	-	-	-
	50 x 2.8	8/10	350	350	310	165	100	70	-	-	-	-	-	-	-
Steel	16 x 1.0	5	50	50	50	50	-	-	-	-	-	-	-	-	-
	20 x 1.5	6	90	90	90	90	90	90	90	-	-	-	-	-	-
	50 x 1.5	10/12	350	350	350	350	350	350	350	350	350	350	350	350	350
Aluminium	20 x 1.5	6	90	90	90	90	85	60	43	-	-	-	-	-	-

**Load capacity**

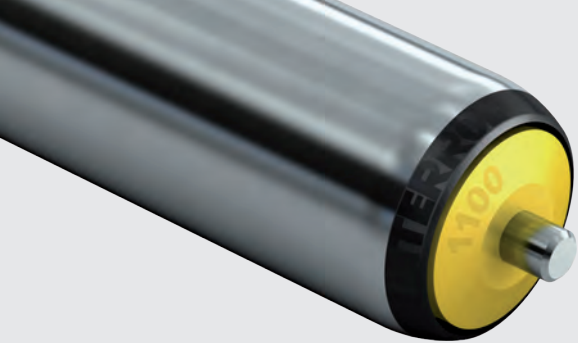
**Customer benefits**

**Applications**

**Properties**

**Associated platform**





# SMOOTH-RUNNING CONVEYOR ROLLER SERIES 1100

The gravity roller with optimised light start-up



Conveyor Rollers  
Gravity  
Series 1100

## Product Selection

### Spring-loaded shaft version

Tube		Ball bearing	Shaft			
Material	Ø mm		Reference number			
			Ø 5 mm	Ø 6 mm	Ø 8 mm	Ø 10 mm
PVC	16 x 1.0	Stainless steel	1.1B5.S16.A50			
	20 x 1.5	Standard		1.1AZ.N21.D03		
	20 x 1.5	Stainless steel		1.1AZ.S20.D03		
	30 x 1.8	Standard			1.1DJ.S31.E03	
	30 x 1.8	Stainless steel			1.1DK.S31.G03	
	40 x 2.3	Standard			1.1DL.S40.E03	
	40 x 2.3	Stainless steel			1.1DM.S40.E03	
	50 x 2.8	Standard			1.1EJ.SAA.EAB	1.1EL.SAA.HAC
	50 x 2.8	Stainless steel			1.1EK.SAA.GAB	1.1EM.SAA.KAC
Steel, stainless steel	16 x 1.0	Stainless steel	1.1B5.N10.A50			
	20 x 1.5	Stainless steel		1.1AZ.N21.D03		
	50 x 1.5	Stainless steel				1.1ED.NAA.KAC
Steel, zinc-plated	50 x 1.5	Standard				1.1EC.JAA.HAC
Aluminium, anodised	20 x 1.5	Stainless steel		1.1AZ.A2D.D03		

### Female threaded shaft version

Tube		Ball bearing	Shaft
Material	Ø mm		Reference number
			Ø 12 mm (M8 x 15)
Steel, stainless steel	50 x 1.5	Stainless steel	1.1EF.NAA.MAS
Steel, zinc-plated	50 x 1.5	Standard	1.1EE.JAA.LAE

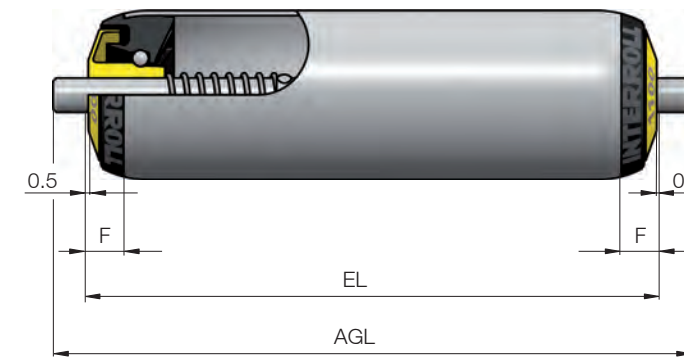
### Example of a reference number: 1.1EJ.SAA.EAB - 490

This reference number is for a Conveyor Roller Series 1100, PVC, Ø tube 50 mm, standard ball bearing, Ø shaft 8 mm, spring-loaded shaft and reference length 490 mm. The reference length RL can be found in the table of dimensions for spring-loaded shafts:  $RL = EL - 10$ . The axial play of 0.5 mm per side has already been taken into account. The nominal clearance of your conveyor is 500 mm, which also corresponds to the installation length EL, i. e. the reference length is:  $500 - 10 = 490$  mm.

RL	Reference length/Ordering length*
EL	Installation length
AGL	Total length of shaft
F	Length of the bearing assembly, including axial play

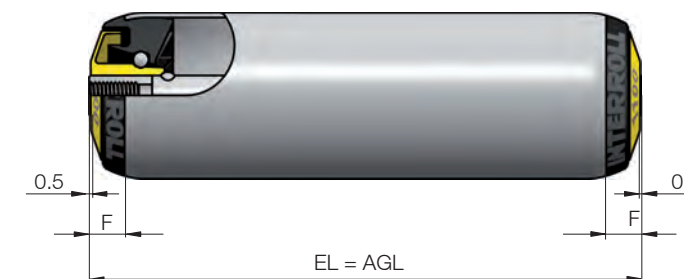
\*The reference length/ordering length RL does not have any reference edges on the conveyor roller and can therefore not be shown.

### Dimensions for spring-loaded shaft



Ø Shaft mm	Ø Tube mm	RL mm	AGL mm	F mm
5	16	EL - 5	EL + 12	10.5
6	20	EL - 5	EL + 12	10.5
8	30	EL - 5	EL + 16	8.5
8	40	EL - 5	EL + 16	11
8	50	EL - 10	EL + 16	11
10	50	EL - 10	EL + 20	11

### Dimensions for female threaded shaft M8 x 15



Ø Shaft mm	Ø Tube mm	RL mm	AGL mm	F mm
12	50	EL - 10	EL	11

## Options

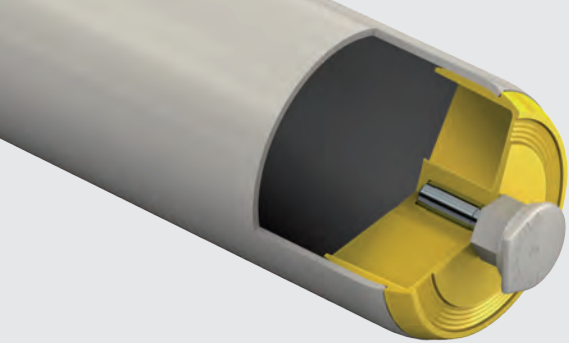
We can offer you the following options in addition to our standard products:

- Antistatic version
- Special surface finish for tubes
  - Hardened
  - Brushed stainless steel tubes
- Tube sleeves above Ø 30 mm
  - Flexible PVC sleeve
  - PU sleeve for Ø 50 mm
  - Rubber coating

Standards

Ordering example

Dimensions



# SLIDE BEARING CONVEYOR ROLLER SERIES 1500



Conveyor Rollers  
Moist area  
Series 1500

*Sealed, ideal for moist areas and to comply with hygiene requirements*

## Product Description

- Slide bearing conveyor roller; suitable for cleaning with conventional detergents.
  - External slide bearing and pressed bearing housings, which prevent the penetration of foreign bodies into the inside of the roller
- Corrosion-proof conveyor roller
  - Stainless steel shaft pin, PVC / stainless steel tubes, polypropylene bearing housing
- Durable, smooth-running slide bearing conveyor roller
  - External, wear-resistant slide bearing made of POM + PTFE

- Food sector to comply with hygiene regulations
- Moist area
- Driven and non-driven container conveyor technology
- Suitable for materials to be transported with a weight of 20 kg

- Slide bearing clip to snap into a profile with max. 2.5 mm wall thickness and hexagonal holes 11 mm (+0.3 / +0.8 mm)
- Stainless steel shaft pins
- Simple to remove slide bearing clip to insert and remove the conveyor rollers

- Platform 1500

## Technical Data

### General technical data

Max. load capacity	120 N
Max. conveyor speed	0.8 m/s
Temperature range	-10 to +40 °C

### Materials

Bearing housing	Polypropylene
Shaft pin	Steel, stainless steel
Slide bearing	Polyoxymethylene

The load capacity is affected by the length of the roller and by the dependent parameters of the weight of the material to be conveyed and the conveying speed.

### The load capacity depends on the speed

Ø Tube mm	Speed m/s	Max. load capacity N
30	0.25	50
	0.80	40
50	0.25	120
	0.80	85

### The load capacity depends on the roller length

Tube material	Ø Tube mm	Max. load capacity in N							
		with an installation length of mm							
		100	200	300	400	500	600	700	800
PVC	30 x 1.8	50	50	35	20	12	-	-	-
	50 x 2.8	120	120	120	120	95	65	48	35
Steel	30 x 1.2	50	50	50	50	50	50	50	50
	50 x 1.5	120	120	120	120	120	120	120	120

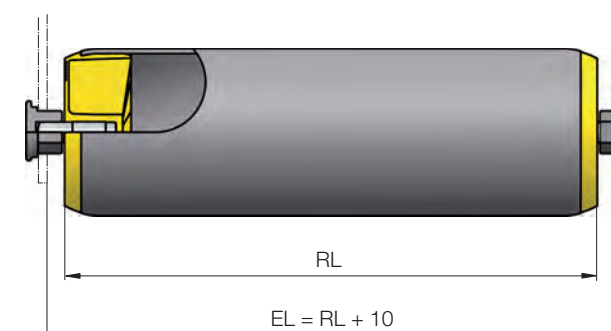
## Product Selection

### Shaft pin shaft version

Tube Material	Ø mm	Bearing design	Shaft pin Ø 6 mm
PVC	30 x 1.8	Slide bearing	1.5AB.S3B.00C
	50 x 2.8	Slide bearing	1.5AF.SAA.00C
Steel, stainless steel	30 x 1.2	Slide bearing	1.5AA.N31.00C
	50 x 1.5	Slide bearing	1.5AE.NAA.00C
Steel, zinc-plated	30 x 1.2	Slide bearing	1.5AA.J31.00C
	50 x 1.5	Slide bearing	1.5AE.JAA.00C

### Example of a reference number: 1.5AF.SAA.00C - 490

This reference number is for a Conveyor Roller Series 1500, PVC, Ø tube 50 mm, Ø shaft pin 6 mm and reference length 490 mm. The reference length RL can be found on the dimensioned drawing:  $RL = EL - 10$ . The axial play of 0.5 mm per side has already been taken into account. The nominal clearance of your conveyor is 500 mm, which also corresponds to the installation length EL, i. e. the reference length is:  $500 - 10 = 490$  mm.



RL	Reference length/Ordering length
EL	Installation length

## Options

We can offer you the following options in addition to our standard products:

- Tube sleeves
  - Flexible PVC sleeve
  - PU sleeve for Ø 50 mm
  - Rubber coating
- Special surface finish for tubes
  - Brushed stainless steel tubes

## Standards

## Ordering example

## Dimensions

## Customer benefits

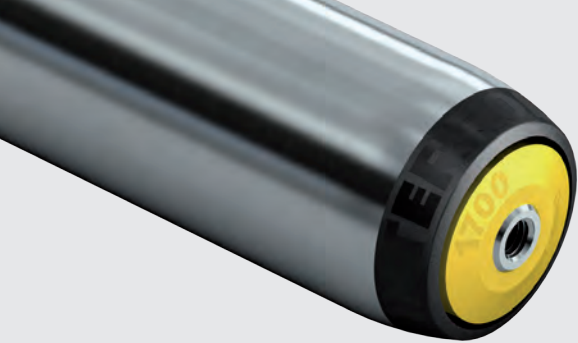
## Applications

## Properties

## Associated platform

## Load capacity





# LIGHTWEIGHT CONVEYOR ROLLER SERIES 1700 LIGHT

Small diameter for smaller materials to be conveyed



Conveyor Rollers  
Universal  
Series 1700 light

## Product Description

- Quiet conveyor roller with low energy requirement
  - Precision ball bearing, polymer bearing housing and seal
- Complete range
  - Driven and non-driven conveyor rollers, rollers for curves
- Axial loads are possible
  - Axial forces diverted by ball bearing
- Small pitches are possible
  - Ø 20 mm and Ø 30 mm

- Applications
  - In-house transport of smaller materials to be conveyed
  - Machine chains
  - Packaging industry
  - Automated assembly

- Properties
  - Sealed precision ball bearing (689 2Z)
  - Rounded roller ends for simple lateral pushing

- Associated platform
  - Platform 1700

## Technical Data

General technical data	
Max. load capacity	150 N
Max. conveyor speed	1.5 m/s
Temperature range	-5 to +40 °C
Materials	
Bearing housing	Polyamide
Seal	Polypropylene
Ball bearing	Steel 689 2Z

The load capacity depends on the length of the roller. The shaft version can be selected at will.

Material	Ø Tube mm	Max. load capacity in N with an installation length of mm					
		100	200	300	400	500	600
PVC	20 x 1.5	150	50	10	-	-	-
	30 x 1.8	150	150	60	20	10	-
Steel	20 x 1.5	150	150	150	150	150	150
	30 x 1.2	150	150	150	150	150	140

## Product Selection

### Spring-loaded shaft version

Tube		Ball bearing	Shaft	
Material	Ø mm		Reference number	
			Ø 6 mm	Ø 8 mm
PVC	20 x 1.5	689 2Z	1.72A.S20.BAC	
	30 x 1.8	689 2Z	1.73C.S31.BAC	
Steel	20 x 1.5	689 2Z	1.73A.J20.BAC	1.72A.J20.EAN
	30 x 1.2	689 2Z	1.73A.J31.BAC	1.731.J31.EAN

### Female threaded shaft version

Tube		Ball bearing	Shaft
Material	Ø mm		Reference number
			Ø 8 mm (M5 x 12)
PVC	20 x 1.5	689 2Z	1.72B.S20.EAJ
	30 x 1.8	689 2Z	1.730.S31.EAJ
Steel	20 x 1.5	689 2Z	1.72B.J20.EAJ
	30 x 1.2	689 2Z	1.731.J31.EAJ

### Example of a reference number: 1.72A.J20.EAN - 495

This reference number is for a conveyor roller Series 1700 light, steel, Ø tube 20 mm, Ø shaft 8 mm, spring-loaded shaft and reference length 495 mm. The reference length RL can be found in the table of dimensions for spring-loaded shafts:  $RL = EL - 5$ . The axial play of 0.5 mm per side has already been taken into account. The nominal clearance of your conveyor is 500 mm, also corresponding to the installation length EL, i. e. the reference length is:  $500 - 5 = 495$  mm.

## Standards

## Ordering example

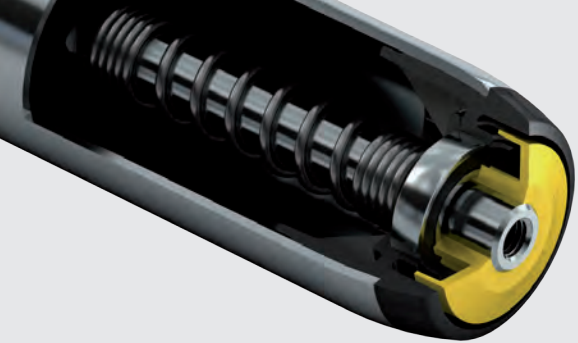
## Customer benefits

## Applications

## Properties

## Associated platform

## Load capacity



# LIGHTWEIGHT CONVEYOR ROLLER SERIES 1700 LIGHT

*Small diameter for smaller materials to be conveyed*



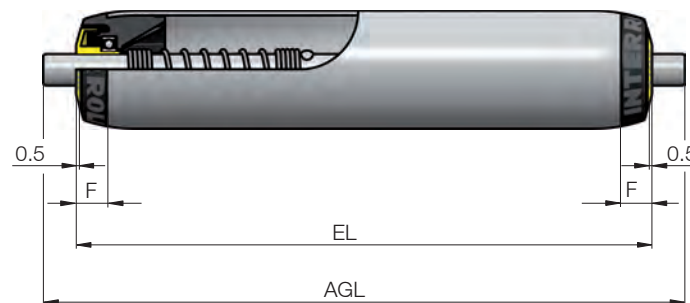
Conveyor Rollers  
**Universal**  
Series 1700 light

## Dimensions

RL	Reference length/Ordering length*
EL	Installation length
AGL	Total length of shaft
F	Length of the bearing assembly, including axial play

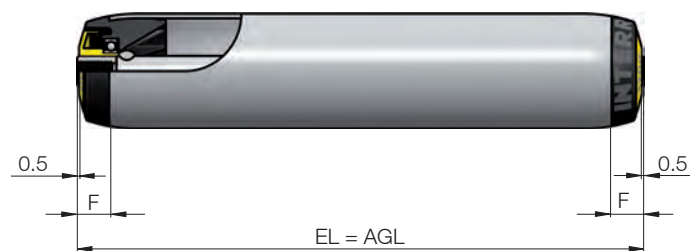
\*The reference length/ordering length RL does not have any reference edges on the conveyor roller and can therefore not be shown.

### Dimensions for spring-loaded shaft



Ø Shaft mm	Ø Tube mm	RL mm	AGL mm	F mm
6	20	EL - 5	EL + 10	10.5
6	30	EL - 5	EL + 10	8.5
8	20	EL - 5	EL + 16	10.5
8	30	EL - 5	EL + 16	8.5

### Dimensions for female threaded shaft M5 x 12



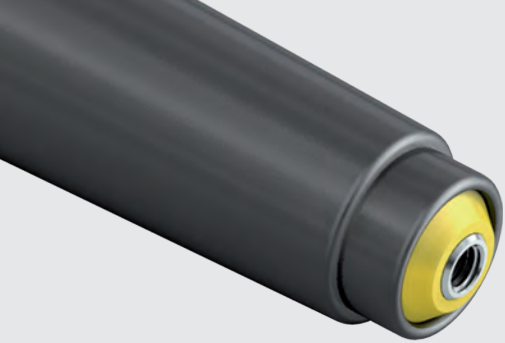
Ø Shaft mm	Ø Tube mm	RL mm	AGL mm	F mm
8	20	EL - 5	EL	10.5
8	30	EL - 5	EL	8.5

## Options

We can offer you the following options in addition to our standard products:

- Antistatic version (not with PVC tube material)
- Tube sleeves for Ø 30 mm
  - Flexible PVC sleeve
  - Rubber coating





# TAPERED FIXED DRIVE CONVEYOR ROLLER SERIES 3500KXO LIGHT



Conveyor Rollers  
Fixed Drive Curve  
Series 3500KXO light

*The gravity roller with optimised light start-up*

## Product Description

- Compact dimensions
  - Small internal radius with 357.5 mm
- Standard product for gravity and fixed drives
  - Integral drive head for round belt drives
- Small pitches possible
  - Tube diameter Ø 23.4 mm to Ø 53.4 mm
- Applications
  - In-house transport of smaller materials to be conveyed
  - Machine chains
  - Packaging industry
  - Automated assembly
- Properties
  - Sealed precision ball bearing (689 2Z)
  - Rounded roller ends for simple lateral pushing
- Associated platform
  - Platform 1700

## Technical Data

General technical data	
Max. load capacity, RL independent	150 N
Max. conveyor speed	0.8 m/s
Temperature range	-5 to +40 °C
Materials	
Bearing housing	Polyamide
Seal	Polypropylene
Ball bearing	Steel 689 2Z
Tapered elements	Polypropylene

## Product Selection

### Female threaded shaft version

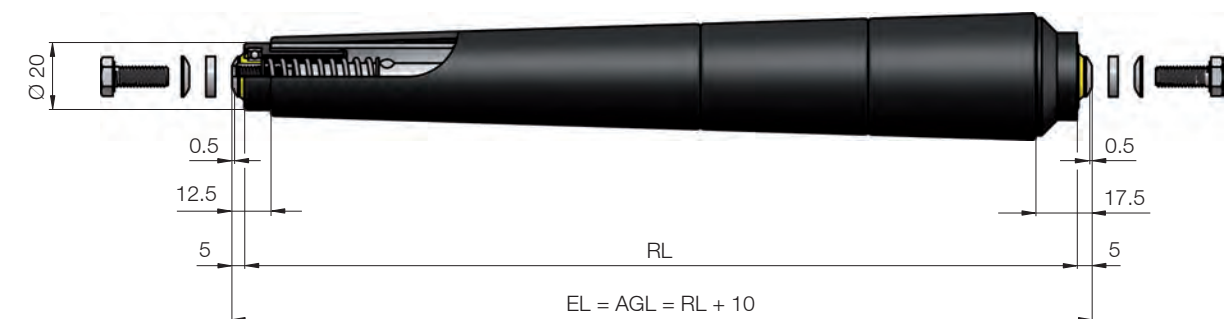
Material	Torque transmission	Roller length mm	Min. Ø mm	Max. Ø mm	Ball bearing	Shaft
						Reference number Ø 8 mm (M5 x 12)
Steel	Round belt head	150	23.4	31.4	689 2Z	3.52K.K21.EAK
		200	23.4	34.5	689 2Z	3.52K.K22.EAK
		250	23.4	37.7	689 2Z	3.52K.K23.EAK
		300	23.4	40.8	689 2Z	3.52K.K24.EAK
		350	23.4	43.9	689 2Z	3.52K.K25.EAK
		400	23.4	47.1	689 2Z	3.52K.K26.EAK
		450	23.4	50.2	689 2Z	3.52K.K27.EAK
		500	23.4	53.4	689 2Z	3.52K.K28.EAK

### Example of a reference number: 3.52K.K28.EAK - 500

This reference number is for a conveyor roller Series 3500KXO light, steel, installation length 510 mm, Ø shaft 8 mm, female threaded shaft and reference length 500 mm. The reference length RL can be found on the dimensioned drawing:  $RL = EL - 10$ . The axial play of 0.5 mm per side has already been taken into account. The nominal clearance of your conveyor is 510 mm, also corresponding to the installation length EL, i. e. the reference length is:  $510 - 10 = 500$  mm.

RL	Reference length/Ordering length
EL	Installation length
AGL	Total length of shaft

### Dimensions for female threaded shaft M6 x 15



## Options

We can offer you the following options in addition to our standard products:

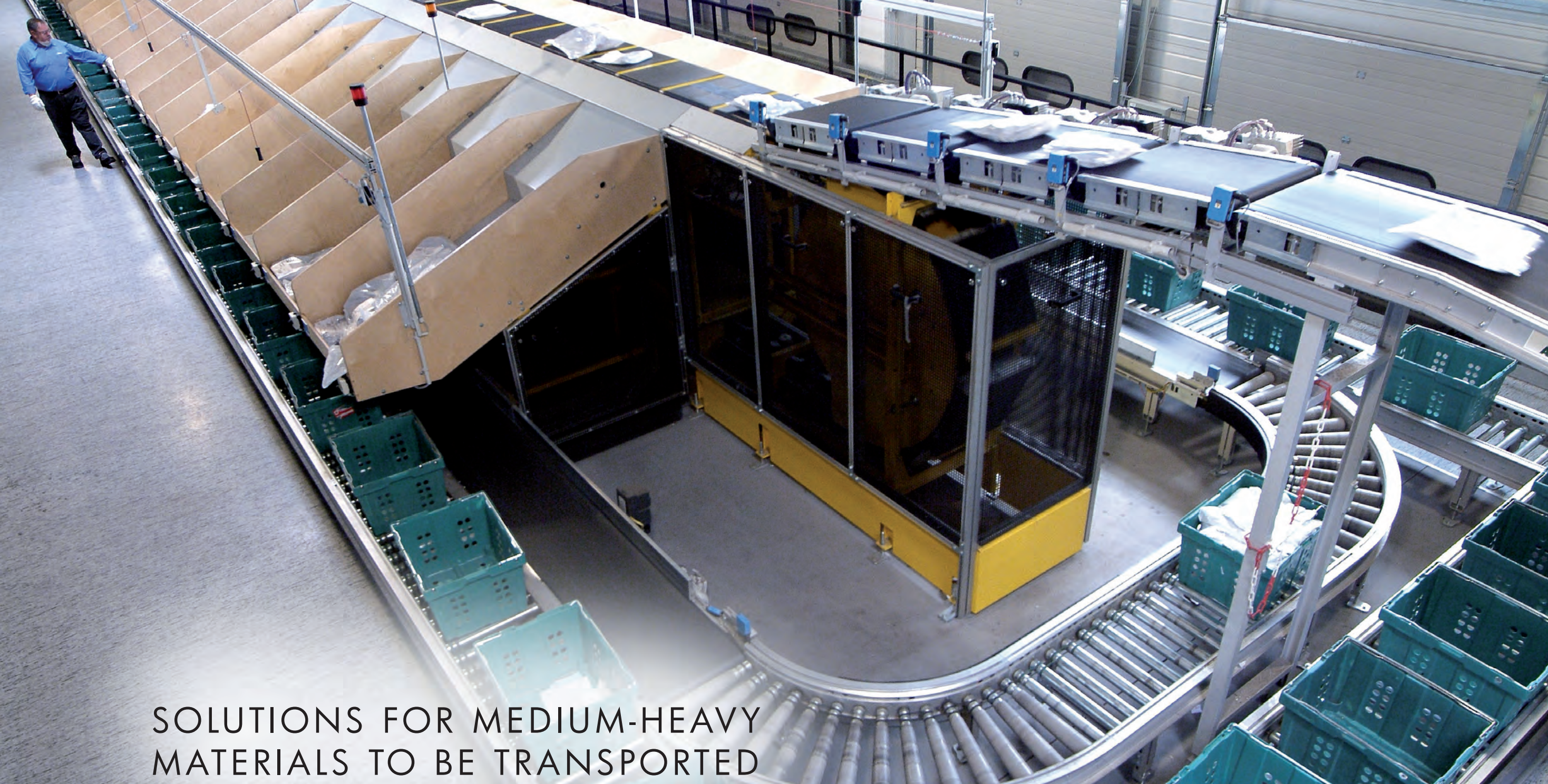
- Inner tube made of corrosion-proof steel

## Standards

## Ordering example

## Dimensions





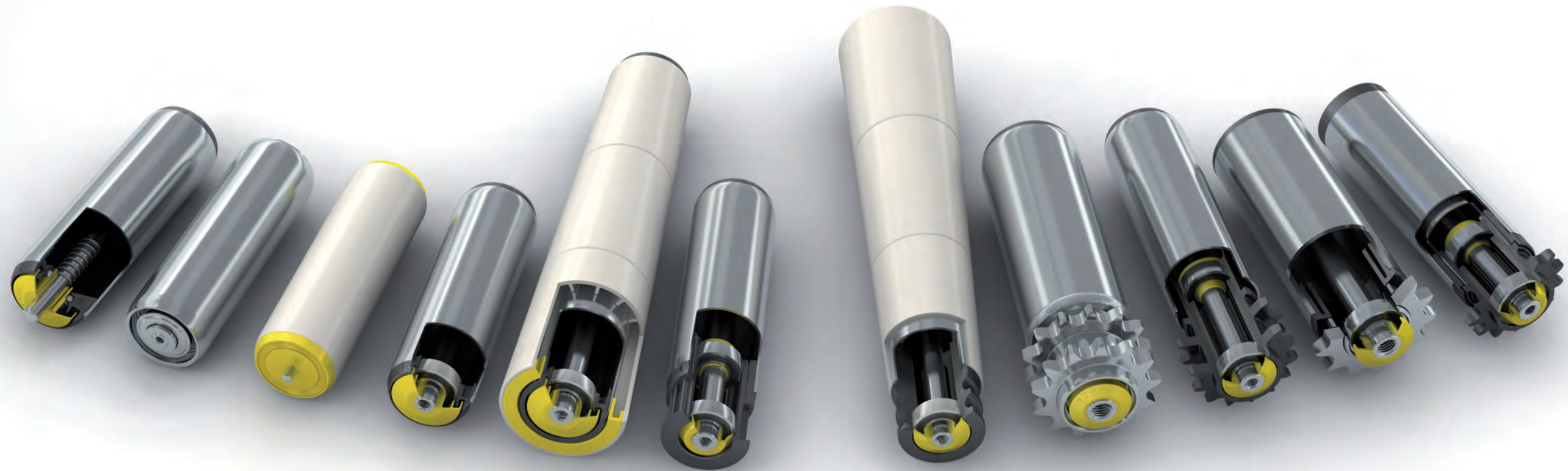
## SOLUTIONS FOR MEDIUM-HEAVY MATERIALS TO BE TRANSPORTED

With this product range, you can set up roller conveyors for medium-heavy materials to be transported, for example for assembly lines, order picking systems or container conveyor technology with weights up to 500 kg and conveyor speeds of up to 2 m/s. The maximum load capacity of these products is 3,000 N per conveyor roller.

### Products for medium-heavy materials to be transported

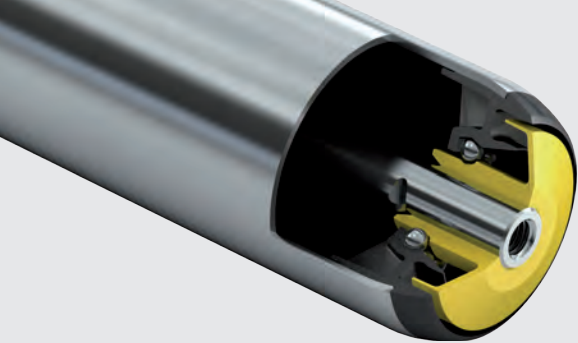
➤ <b>Conveyor Rollers</b>	The basis of every roller conveyor	p 26
➤ <b>RollerDrives</b>	The roller with a drive	p 82
➤ <b>DriveControls</b>	Controls for RollerDrives	p 102





## OVERVIEW OF CONVEYOR ROLLERS

	Smooth-running Conveyor Roller	Steel Conveyor Roller	Slide Bearing Conveyor Roller	Universal Conveyor Roller	Tapered Universal Conveyor Roller	Fixed Drive Conveyor Roller		Tapered Fixed Drive Conveyor Roller	Heavy-duty Conveyor Roller	Friction Conveyor Roller	Double Friction Conveyor Roller	Double Friction Conveyor Roller
	Series 1100	Series 1200	Series 1500	Series 1700	Series 1700KXO	Series 3500		Series 3500KXO	Series 3560	Series 3800	Series 3860	Series 3870
<b>Max. load capacity</b>	350 N	1,200 N	120 N	3,000 N	500 N	2,000 N		500 N	3,000 N	500 N	1,300 N	500 N
<b>Applications</b>	Gravity	Cold/Warm	Moist area	Universal	Curve	Fixed drive		Fixed drive curve	Fixed drive	Friction drive	Double friction medium-heavy - heavy	Double friction medium-heavy
<b>Drive concepts</b>												
Gravity	✓	✓	✓	✓	✓							
Flat belt		✓	✓	✓	✓	✓						
Round belt				✓	✓	✓		✓				
Chain						✓		✓	✓	✓	✓	✓
Toothed belt						✓				✓		
PolyVee belt						✓		✓				
	<i>see page 28</i>	<i>see page 32</i>	<i>see page 36</i>	<i>see page 38</i>	<i>see page 46</i>	<i>see page 50</i>		<i>see page 56</i>	<i>see page 62</i>	<i>see page 66</i>	<i>see page 74</i>	<i>see page 78</i>



# SMOOTH-RUNNING CONVEYOR ROLLER SERIES 1100

*The gravity roller with optimised light start-up*

## Product Description

- Cost-effective, corrosion-proof gravity roller
    - Use of stainless steel balls
  - Gentle lateral pushing of the materials to be conveyed
    - Rounded tube ends
  - Protects the bearing from coarse dirt and liquids
    - Integral water-repellent groove
  - Resistant to dirt
    - Smooth surfaces
- 
- In-house conveyor technology
  - Only gravity applications
- 
- Silent, precise smooth-running roller due to special steel ball bearings and tube made of polypropylene.
  - Form-fit join of the bearing housing with the tube above a diameter of 30 mm to avoid slipping of the bearing seat.
- 
- Platform 1100

**Customer benefits**

**Applications**

**Properties**

**Associated platform**

## Technical Data

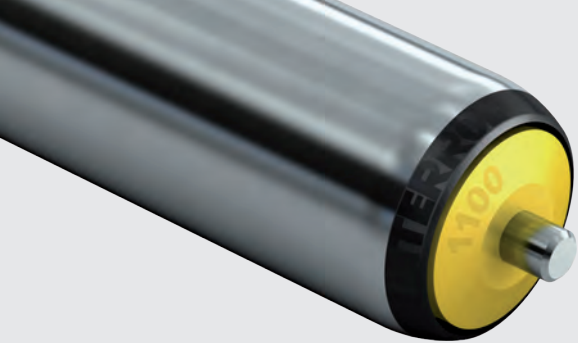
General technical data	
Max. load capacity	350 N
Max. conveyor speed	0.3 m/s
Temperature range	-5 to +40 °C
Materials	
Bearing housing	Polypropylene
Seal	Polypropylene
Ball	Carbon steel or stainless steel 1.4301

The dynamic load and the surface load are the assumptions for the load capacity. The shaft version can be selected at will.

Tube material	Ø Tube mm	Ø Shaft mm	Max. load capacity in N												
			with an installation length of mm												
			100	200	300	400	500	600	700	800	900	1,000	1,100	1,200	
PVC	16 x 1.0	5	33	7	3	2	-	-	-	-	-	-	-	-	
	20 x 1.5	6	90	20	10	5	-	-	-	-	-	-	-	-	
	30 x 1.8	8	120	100	40	20	15	10	-	-	-	-	-	-	
	40 x 2.3	8	180	180	130	70	40	30	-	-	-	-	-	-	
	50 x 2.8	8/10	350	350	310	165	100	70	-	-	-	-	-	-	
Steel	16 x 1.0	5	50	50	50	50	-	-	-	-	-	-	-	-	
	20 x 1.5	6	90	90	90	90	90	90	90						
	50 x 1.5	10/12	350	350	350	350	350	350	350	350	350	350	350	350	
Aluminium	20 x 1.5	6	90	90	90	90	85	60	43						

**Load capacity**





# SMOOTH-RUNNING CONVEYOR ROLLER SERIES 1100

The gravity roller with optimised light start-up

## Product Selection

### Spring-loaded shaft version

Tube		Ball bearing	Shaft			
Material	Ø mm		Reference number			
			Ø 5 mm	Ø 6 mm	Ø 8 mm	Ø 10 mm
PVC	16 x 1.0	Stainless steel	1.1B5.S16.A50			
	20 x 1.5	Standard		1.1AZ.N21.D03		
	20 x 1.5	Stainless steel		1.1AZ.S20.D03		
	30 x 1.8	Standard			1.1DJ.S31.E03	
	30 x 1.8	Stainless steel			1.1DK.S31.G03	
	40 x 2.3	Standard			1.1DL.S40.E03	
	40 x 2.3	Stainless steel			1.1DM.S40.E03	
	50 x 2.8	Standard			1.1EJ.SAA.EAB	1.1EL.SAA.HAC
	50 x 2.8	Stainless steel			1.1EK.SAA.GAB	1.1EM.SAA.KAC
Steel, stainless steel	16 x 1.0	Stainless steel	1.1B5.N10.A50			
	20 x 1.5	Stainless steel		1.1AZ.N21.D03		
	50 x 1.5	Stainless steel				1.1ED.NAA.KAC
Steel, zinc-plated	50 x 1.5	Standard				1.1EC.JAA.HAC
Aluminium, anodised	20 x 1.5	Stainless steel		1.1AZ.A2D.D03		

### Female threaded shaft version

Tube		Ball bearing	Shaft
Material	Ø mm		Reference number
			Ø 12 mm (M8 x 15)
Steel, stainless steel	50 x 1.5	Stainless steel	1.1EF.NAA.MAS
Steel, zinc-plated	50 x 1.5	Standard	1.1EE.JAA.LAE

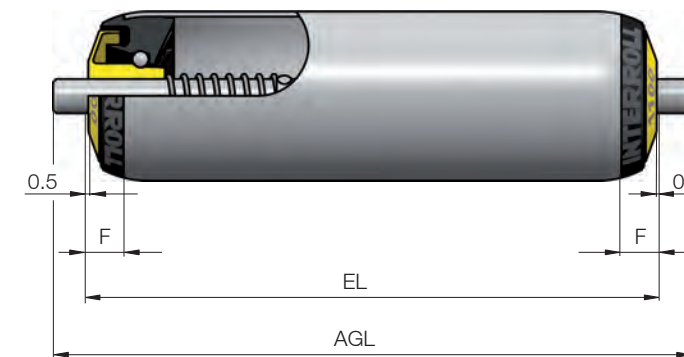
### Example of a reference number: 1.1EJ.SAA.EAB - 490

This reference number is for a Conveyor Roller Series 1100, PVC, Ø tube 50 mm, standard ball bearing, Ø shaft 8 mm, spring-loaded shaft and reference length 490 mm. The reference length RL can be found in the table of dimensions for spring-loaded shafts:  $RL = EL - 10$ . The axial play of 0.5 mm per side has already been taken into account. The nominal clearance of your conveyor is 500 mm, which also corresponds to the installation length EL, i. e. the reference length is:  $500 - 10 = 490$  mm.

RL	Reference length/Ordering length*
EL	Installation length
AGL	Total length of shaft
F	Length of the bearing assembly, including axial play

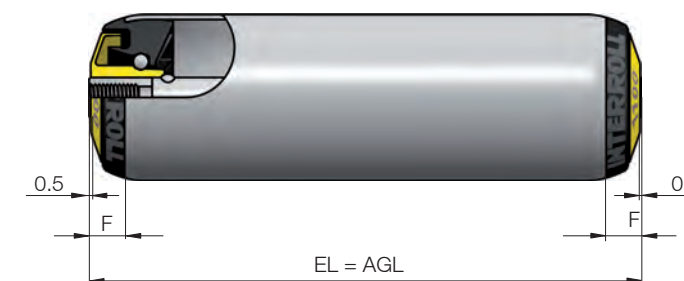
\*The reference length/ordering length RL does not have any reference edges on the conveyor roller and can therefore not be shown.

### Dimensions for spring-loaded shaft



Ø Shaft mm	Ø Tube mm	RL mm	AGL mm	F mm
5	16	EL - 5	EL + 12	10.5
6	20	EL - 5	EL + 12	10.5
8	30	EL - 5	EL + 16	8.5
8	40	EL - 5	EL + 16	11
8	50	EL - 10	EL + 16	11
10	50	EL - 10	EL + 20	11

### Dimensions for female threaded shaft M8 x 15



Ø Shaft mm	Ø Tube mm	RL mm	AGL mm	F mm
12	50	EL - 10	EL	11

## Options

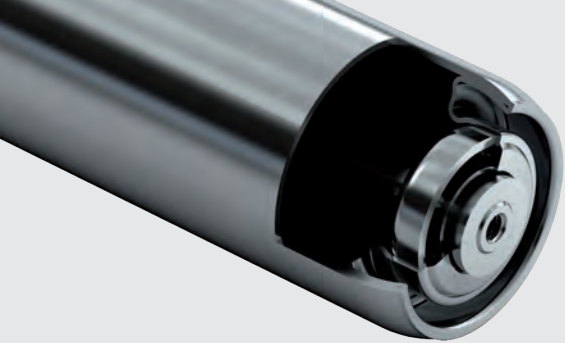
We can offer you the following options in addition to our standard products:

- Antistatic version
- Special surface finish for tubes
  - Hardened
  - Brushed stainless steel tubes
- Tube sleeves above Ø 30 mm
  - Flexible PVC sleeve
  - PU sleeve for Ø 50 mm
  - Rubber coating

Standards

Ordering example

Dimensions



# STEEL CONVEYOR ROLLER SERIES 1200

*Complete steel conveyor roller for extreme temperatures*



Conveyor Rollers  
Cold/Warm  
Series 1200

## Product Description

- Durable, tough, complete steel conveyor roller
  - Pressed and zinc-plated bearing seats with hardened running groove
- Gentle lateral pushing of the materials to be conveyed
  - Rounded tube ends
- Extended temperature ranges of -28 °C to +80 °C
- Driven and non-driven container conveyor technology
- Antistatic version
- Zinc-plated steel bearing housing
- Shape of ball bearing optimised for conveyor rollers, permits greater bearing deflection
- Platform 1200

## Technical Data

### General technical data

Max. load capacity	1,200 N
Max. conveyor speed	0.8 m/s
Temperature range	-28 to +80 °C

### Materials

Bearing housing	Steel, zinc-plated
Ball bearing	Steel, hardened running grooves

The dynamic load and the surface load are the assumptions for the load capacity.

### Spring-loaded shaft version

Tube material	Ball bearing	Ø Tube mm	Ø Shaft mm	Max. load capacity in N with an installation length of mm													
				100	200	300	400	500	600	700	800	900	1000	1200	1400	1600	
Steel, zinc-plated	Metal ball bearing, hardened	30 x 1.2	8	120	120	120	120	120	120	120	120	120	120	120	120	120	120
		50 x 1.5	10	1200	1200	1200	1200	1200	1200	1200	1200	920	825	750	640	560	440

### Female threaded shaft version

Tube material	Ball bearing	Ø Tube mm	Ø Shaft mm	Max. load capacity in N with an installation length of mm													
				100	200	300	400	500	600	700	800	900	1000	1200	1400	1600	
Steel, zinc-plated	Metal ball bearing, hardened	50 x 1.5	12	1200	1200	1200	1200	1200	1200	1200	1200	1200	1200	1100	780	570	440

**Load capacity**

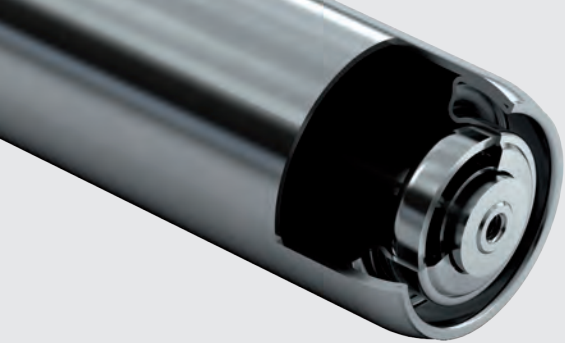
Customer benefits

Applications

Properties

Associated platform





# STEEL CONVEYOR ROLLER SERIES 1200

Complete steel conveyor roller for extreme temperatures

## Product Selection

### Spring-loaded shaft version

Tube		Ball bearing	Shaft	
Material	Ø mm		Reference number	
Steel, zinc-plated	30 x 1.2	Metal ball bearing, hardened	Ø 8 mm	Ø 10 mm
	50 x 1.5	Metal ball bearing, hardened	1.2A2.J31.E9F	1.2MG.JAA.H97

### Female threaded shaft version

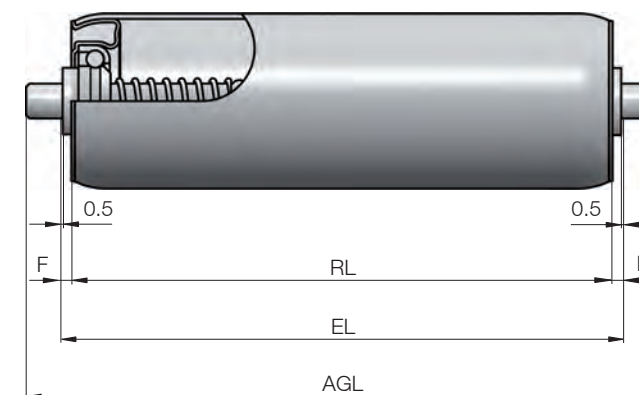
Tube		Ball bearing	Shaft
Material	Ø mm		Reference number
Steel, zinc-plated	50 x 1.5	Metal ball bearing, hardened	Ø 12 mm (M8 x 15) 1.2MH.JAA.L04

### Example of a reference number: 1.2A2.J31.E9F - 494

This reference number is for a conveyor roller Series 1200, Ø tube 30 mm, Ø shaft 8 mm, spring-loaded shaft and reference length 494 mm. The reference length RL can be found in the table of dimensions for spring-loaded shafts:  $RL = EL - 6$ . The axial play of 0.5 mm per side has already been taken into account. The nominal clearance of your conveyor is 500 mm, which also corresponds to the installation length EL, i. e. the reference length is:  $500 - 6 = 494$  mm.

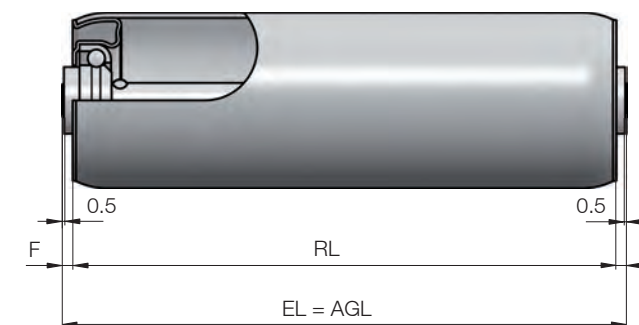
RL	Reference length/Ordering length
EL	Installation length
AGL	Total length of shaft
F	Length of the bearing assembly, including axial play

### Dimensions for spring-loaded shaft



Ø Shaft mm	Ø Tube mm	RL mm	AGL mm	F mm
8	30	EL - 6	EL + 16	4
10	50	EL - 6	EL + 20	4

### Dimensions for female threaded shaft M8 x 15



Ø Shaft mm	Ø Tube mm	RL mm	AGL mm	F mm
12	50	EL - 6	EL	4

## Options

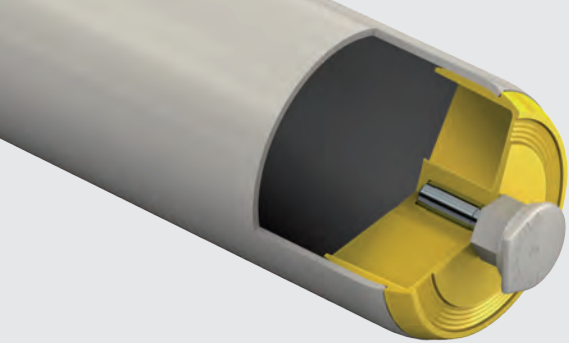
We can offer you the following options in addition to our standard products:

- Flanges
- Special surface finish for tubes
  - Hardened

Standards

Ordering example

Dimensions



# SLIDE BEARING CONVEYOR ROLLER SERIES 1500



Conveyor Rollers  
Moist area  
Series 1500

*Sealed, ideal for moist areas and to comply with hygiene requirements*

## Product Description

- Slide bearing conveyor roller; suitable for cleaning with conventional detergents.
  - External slide bearing and pressed bearing housings, which prevent the penetration of foreign bodies into the inside of the roller
- Corrosion-proof conveyor roller
  - Stainless steel shaft pin, PVC / stainless steel tubes, polypropylene bearing housing
- Durable, smooth-running slide bearing conveyor roller
  - External, wear-resistant slide bearing made of POM + PTFE

- Food sector to comply with hygiene regulations
- Moist area
- Driven and non-driven container conveyor technology
- Suitable for materials to be transported with a weight of 20 kg

- Slide bearing clip to snap into a profile with max. 2.5 mm wall thickness and hexagonal holes 11 mm (+0.3 / +0.8 mm)
- Stainless steel shaft pins
- Simple to remove slide bearing clip to insert and remove the conveyor rollers

- Platform 1500

## Technical Data

General technical data	
Max. load capacity	120 N
Max. conveyor speed	0.8 m/s
Temperature range	-10 to +40 °C
Materials	
Bearing housing	Polypropylene
Shaft pin	Steel, stainless steel
Slide bearing	Polyoxymethylene

The load capacity is affected by the length of the roller and by the dependent parameters of the weight of the material to be conveyed and the conveying speed.

### The load capacity depends on the speed

Ø Tube mm	Speed m/s	Max. load capacity N
30	0.25	50
	0.80	40
50	0.25	120
	0.80	85

### The load capacity depends on the roller length

Tube material	Ø Tube mm	Max. load capacity in N							
		with an installation length of mm							
		100	200	300	400	500	600	700	800
PVC	30 x 1.8	50	50	35	20	12	-	-	-
	50 x 2.8	120	120	120	120	95	65	48	35
Steel	30 x 1.2	50	50	50	50	50	50	50	50
	50 x 1.5	120	120	120	120	120	120	120	120

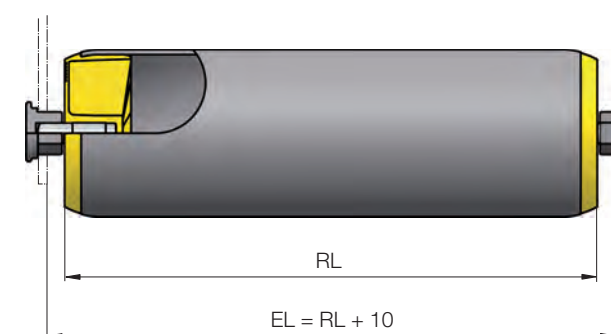
## Product Selection

### Shaft pin shaft version

Tube Material	Ø mm	Bearing design	Shaft pin Ø 6 mm
PVC	30 x 1.8	Slide bearing	1.5AB.S3B.00C
	50 x 2.8	Slide bearing	1.5AF.SAA.00C
Steel, stainless steel	30 x 1.2	Slide bearing	1.5AA.N31.00C
	50 x 1.5	Slide bearing	1.5AE.NAA.00C
Steel, zinc-plated	30 x 1.2	Slide bearing	1.5AA.J31.00C
	50 x 1.5	Slide bearing	1.5AE.JAA.00C

### Example of a reference number: 1.5AF.SAA.00C - 490

This reference number is for a Conveyor Roller Series 1500, PVC, Ø tube 50 mm, Ø shaft pin 6 mm and reference length 490 mm. The reference length RL can be found on the dimensioned drawing:  $RL = EL - 10$ . The axial play of 0.5 mm per side has already been taken into account. The nominal clearance of your conveyor is 500 mm, which also corresponds to the installation length EL, i. e. the reference length is:  $500 - 10 = 490$  mm.



RL	Reference length/Ordering length
EL	Installation length

## Options

We can offer you the following options in addition to our standard products:

- Tube sleeves
  - Flexible PVC sleeve
  - PU sleeve for Ø 50 mm
  - Rubber coating
- Special surface finish for tubes
  - Brushed stainless steel tubes

## Standards

## Ordering example

## Dimensions

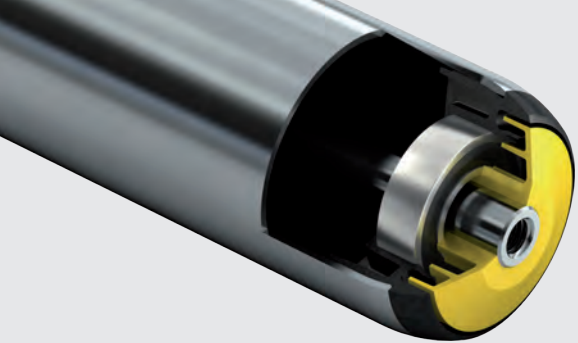
## Customer benefits

## Applications

## Properties

## Associated platform

## Load capacity



# UNIVERSAL CONVEYOR ROLLER SERIES 1700

*Flexible use - the silent conveyor roller for heavy-duty loads*



Conveyor Rollers  
Universal  
Series 1700

## Product Description

- Tried and tested a million times over
  - Universal Conveyor Roller with an extensive range of applications
- Silent conveyor roller
  - Precision ball bearing, technopolymer bearing housing and seal
- Protects the ball bearing from coarse dirt and water
  - Integral water-repellent groove
- Axial loads are possible
  - Axial forces diverted by ball bearing
- Gentle lateral pushing of the materials to be conveyed
  - Rounded tube ends

- In-house conveyor technology
- Driven conveyors for packaged goods
- Transport of tyres and rims

- Sealed precision ball bearings (6002 2RZ, 6003 2RZ, 689 2Z)
- Form-fit axial fixing of bearing housing, ball bearing and seal

- Platform 1700

## Technical Data

### General technical data

Max. load capacity	3,000 N
Max. conveyor speed	2.0 m/s
Temperature range	-5 to +40 °C

### Materials

Bearing housing	Polyamide
Seal	Polypropylene
Ball bearing	6003 2RZ / Steel 6002 2RZ / Steel 689 2Z

The load capacity depends on the shaft version, the tube diameter and the length of the roller.

Tube material	Shaft version	Ball bearing	Ø Tube mm	Ø Shaft mm	Max. load capacity in N with an installation length of mm								
					200	300	400	600	800	1000	1300	1600	
PVC	Spring-loaded shaft	6002 2RZ	50 x 2.8	8-10	660	280	150	65	36	-	-	-	
Steel	Spring-loaded shaft	689 2Z	30 x 1.2	8	150	150	150	150	-	-	-	-	
				10-12	800	800	800	800	730	490	330	-	
			50 x 1.5	10	1800	1140	840	560	420	340	260	220	
				12	2000	2000	1800	1200	920	760	620	520	
				11 hex	2000	2000	1640	1020	780	640	520	440	
				60 x 1.5	10	1630	1130	830	540	400	320	250	200
	60 x 1.5	12	2000	2000	1740	1160	870	700	580	460			
		11 hex	2000	2000	1500	1000	740	600	475	390			
		Female thread	6002 2RZ	40 x 1.5	12	800	800	800	800	800	560	330	-
					14	2000	2000	2000	2000	1770	1120	660	440
	17			3000	3000	3000	3000	1770	1120	660	440		
	60 x 1.5	12	2000	2000	2000	2000	2000	2000	1160	760			
14			2000	2000	2000	2000	2000	2000	1160	760			
6003 2RZ	60 x 3.0	17	3000	3000	3000	3000	3000	3000	3000	2140	1400		
			Tapered shaft-shuttle	6002 2RZ	50 x 1.5	11-12 hex	350	350	350	350	350	-	-

**Load capacity**

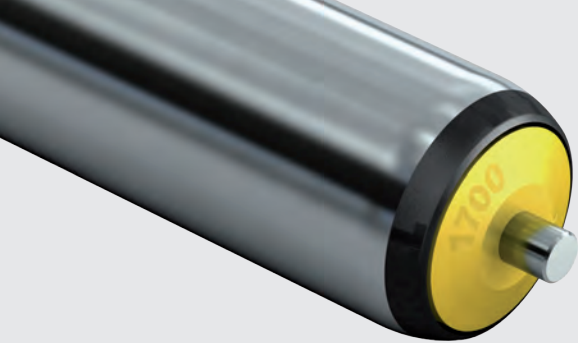
**Customer benefits**

**Applications**

**Properties**

**Associated platform**





# UNIVERSAL CONVEYOR ROLLER SERIES 1700

*Flexible use - the silent conveyor roller for heavy-duty loads*

## Product Selection

### Spring-loaded shaft version

Tube				Ball bearing	Shaft			
Material	Ø mm	Torque transmission	Sleeve		Reference number			
					Ø 8 mm	Ø 10 mm	11 mm hex	Ø 12 mm
PVC	50 x 2.8	Without grooves	–	6002 2RZ stainless steel	1.7XJ.SAA.GAB	1.7XK.SAA.KAC		
		Without grooves	–	6002 2RZ	1.7X9.SAA.EAB	1.7X0.SAA.HAC		
Steel, stainless steel	50 x 1.5	Without grooves	–	6002 2RZ stainless steel		1.7XQ.NAA.KAC		1.7XR.NAA.MB0
Steel, zinc-plated	30 x 1.2	Without grooves	–	6002 2RZ	1.72B.J20.EAJ			
		Without grooves	–	689 2Z	1.731.J31.EAJ			
	40 x 1.5	Without grooves	PVC, 5 mm	6002 2RZ	1.7W1.JF5.EAB	1.7W2.JF5.HAC	1.7W5.JF5.VAB	1.7W3.JF5.LAC
		Without grooves	–	6002 2RZ		1.7W2.JF4.HAC	1.7W5.JF4.VAB	1.7W3.JF4.LAC
	50 x 1.5	1 groove	–	6002 2RZ		1.7X2.JAD.HAC	1.7X5.JAD.VAB	1.7X3.JAD.LAC
		2 grooves	PVC, 2 mm	6002 2RZ		1.7X2.JCG.HAC	1.7X5.JCG.VAB	1.7X3.JCG.LAC
		2 grooves	–	6002 2RZ		1.7X2.JAE.HAC	1.7X5.JAE.VAB	1.7X3.JAE.LAC
		Without grooves	PVC, 2 mm	6002 2RZ		1.7X2.J72.HAC	1.7X5.J72.VAB	1.7X3.J72.LAC
		Without grooves	–	6002 2RZ		1.7X2.JAA.HAC	1.7X5.JAA.VAB	1.7X3.JAA.LAC
	60 x 1.5	Without grooves	–	6002 2RZ		1.7Y2.JAB.HAC	1.7Y5.JAB.VAB	1.7Y3.JAB.LAC

### Female threaded shaft version

Tube				Ball bearing	Shaft		
Material	Ø mm	Torque transmission	Sleeve		Reference number		
					Ø 12 mm (M8 x 15)	Ø 14 mm (M8 x 15)	Ø 17 mm (M12 x 20)
Steel, zinc-plated	40 x 1.5	Without grooves	–	6002 2RZ	1.7W3.JF4.LAE	1.7W4.JF4.NAE	
		Without grooves	PVC, 5 mm	6002 2RZ	1.7W3.JF5.LAE	1.7W4.JF5.NAE	
	50 x 1.5	Without grooves	–	6002 2RZ	1.7X3.JAA.LAE	1.7X4.JAA.NAE	
		Without grooves	PVC, 2 mm	6002 2RZ	1.7X3.J72.LAE	1.7X4.J72.NAE	
		2 grooves	PVC, 2 mm	6002 2RZ	1.7X3.JCG.LAE	1.7X4.JCG.NAE	
		2 grooves	–	6002 2RZ	1.7X3.JAE.LAE	1.7X4.JAE.NAE	
		1 groove	–	6002 2RZ	1.7X3.JAD.LAE	1.7X4.JAD.NAE	
	60 x 1.5	Without grooves	–	6002 2RZ	1.7Y3.JAB.LAE	1.7Y4.JAB.NAE	
	50 x 1.5	Without grooves	–	6003 2RZ			1.75K.JAA.RAA
	60 x 3.0	Without grooves	–	6003 2RZ			1.75L.J63.RAA

### Tapered shaft-shuttle shaft version

Tube				Ball bearing	Shaft	
Material	Ø mm	Torque transmission	Sleeve		Reference number	
					8 mm hex, shuttle 11 mm hex	
Steel, zinc-plated	50 x 1.5	Without grooves	–	6002 2RZ	1.7X7.JX5.V8T	
		2 grooves	PVC, 2 mm	6002 2RZ	1.7X7.JCG.V8T	
		2 grooves	–	6002 2RZ	1.7X7.JAE.V8T	
		1 groove	–	6002 2RZ	1.7X7.JAD.V8T	

On request, we can offer you further options in addition to our standard products (cf. p 45).

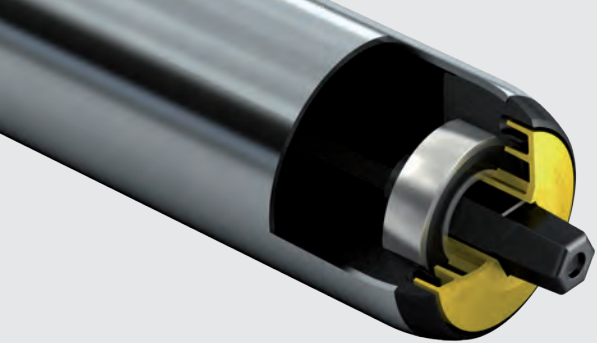
Please state the reference length RL and optionally the dimensions for the grooves and tube sleeve on in addition to the reference number.

#### Example of a reference number: 1.7X5.JAA.VAB - 490

This reference number is for a conveyor roller Series 1700, Ø tube 50 mm, zinc-plated steel, without grooves shaft version 11 mm hex spring-loaded shaft and reference length 490 mm. The reference length RL can be found in the table of dimensions for spring-loaded shafts:  $RL = EL - 10$ . The axial play of 0.5 mm per side has already been taken into account. The nominal clearance of your conveyor is 500 mm, which also corresponds to the installation length EL, i. e. the reference length is:  $500 - 10 = 490$  mm.

### Ordering information

### Ordering example



# UNIVERSAL CONVEYOR ROLLER SERIES 1700

*Flexible use - the silent conveyor roller for heavy-duty loads*



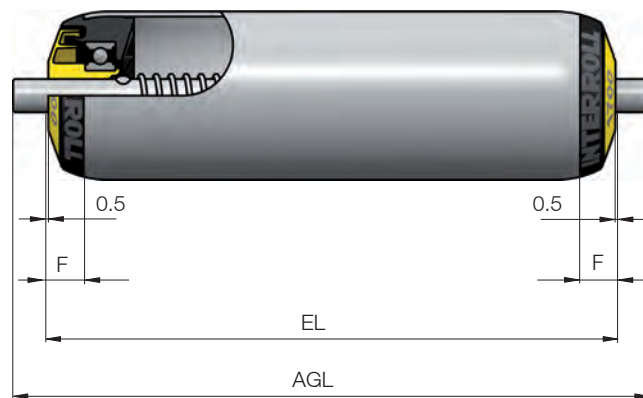
Conveyor Rollers  
**Universal**  
Series 1700

## Dimensions

RL	Reference length/Ordering length*
EL	Installation length
AGL	Total length of shaft
F	Length of the bearing assembly, including axial play

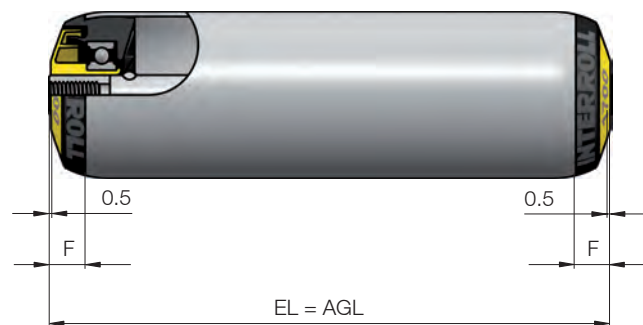
\*The reference length/ordering length RL does not have any reference edges on the conveyor roller and can therefore not be shown.

### Dimensions for spring-loaded shaft



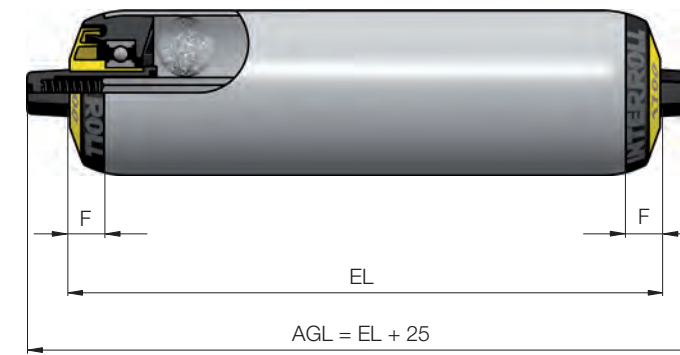
Ø Shaft mm	Ø Tube mm	RL mm	AGL mm	F mm
8	30 / 40 / 50	EL - 10	EL + 16	8.5 / 11 / 11
10	40 / 50 / 60	EL - 10	EL + 20	11
12	50 / 60	EL - 10	EL + 24	11
11 hex	50 / 60	EL - 10	EL + 22	11

### Dimensions for female threaded shaft



Ø Shaft mm	Thread mm	Ø Tube mm	RL mm	AGL mm	F mm
12	M8 x 15	40 / 50 / 60	EL - 10	EL	11
14	M8 x 15	50 / 60 / 80	EL - 10	EL	11
17	M12 x 20	50 / 60	EL - 10	EL	11

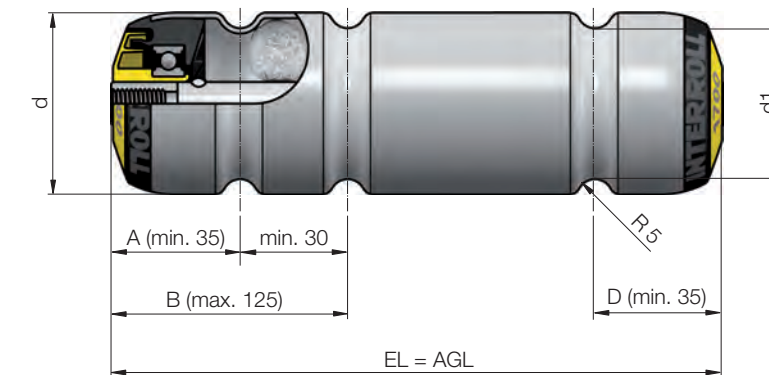
### Dimensions for tapered shaft-shuttle



Ø Shaft mm	Shuttle mm	Ø Tube mm	RL mm	AGL mm	F mm
8 hex	11-12 hex	50	EL - 10	EL + 25	11

## Ordering Dimensions for Grooves and Tube Sleeves

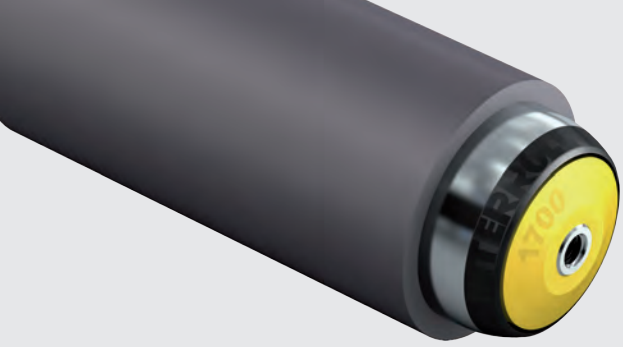
### Version with grooves



d mm	d1 mm
40	28.3
50	38.4
60	48.4
80	66.4

## Grooves





# UNIVERSAL CONVEYOR ROLLER SERIES 1700

*Flexible use - the silent conveyor roller for heavy-duty loads*



Conveyor Rollers  
**Universal**  
Series 1700

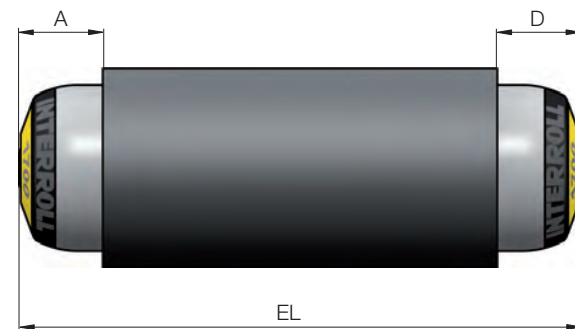
## Tube sleeves

- For the transport of sensitive material to be conveyed
- To reduce the noise level
- To improve the coefficient of friction
- To reduce speeds

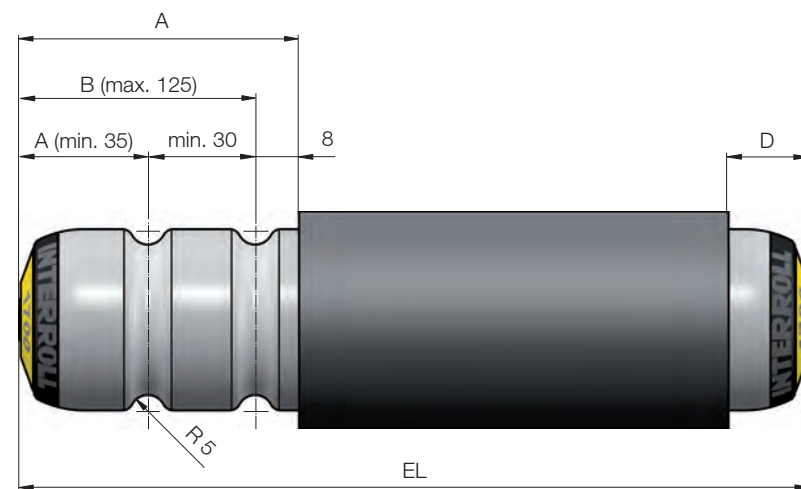
Please note that The minimum sleeve width is 50 mm, the minimum installation length (EL) is 100 mm.

When ordering a conveyor roller with tube sleeve, please state the relevant dimensions A - D.

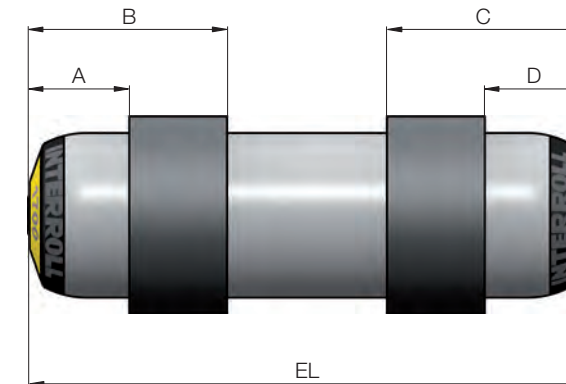
### With PVC sleeve



### With grooves and PVC sleeve



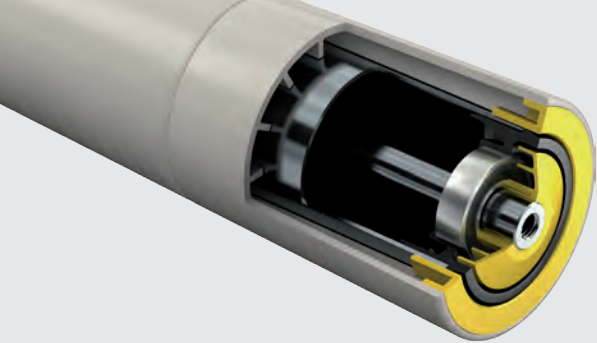
### With PVC sleeve, cut



## Options

We can offer you the following options in addition to our standard products:

- Antistatic version (standard with conveyor rollers with grooves)
- Other tube materials
  - Aluminium
- Special surface finish for tubes
  - Hardened
  - Brushed stainless steel tubes
- Tube sleeves
  - Flexible PVC sleeve
  - PU sleeve for Ø50 mm
  - Rubber coating
- Other shaft versions
  - Shaftless version
  - Flatted shaft
  - Male threaded shaft
- Lubrication options for ball bearing
  - Oiled
  - Lubricated (standard)



# TAPERED UNIVERSAL CONVEYOR ROLLER SERIES 1700KXO

Standard solution for gravity or driven curves

## Product Description

- Standard product tried and tested a million times over
  - Based on the Universal Conveyor Roller Series 1700
- Good starting properties
  - Low net weight due to tapered polypropylene elements
- Abrasion-proof, sound-reducing, impact-resistant and weather-resistant
  - Tapered technopolymer elements

- In-house conveying
- Gravity or belt drives
- Curves for crates and containers

- Sealed precision ball bearing (6002 2RZ)
- End cap for tapered elements

- Platform 1700

## Technical Data

General technical data	
Max. load capacity, RL independent	500 N
Max. conveyor speed	2.0 m/s
Temperature range	-5 to +40 °C
Materials	
Bearing housing	Polyamide
Seal	Polypropylene
Ball bearing	Steel 6002 2RZ
Tapered elements	Polypropylene

## Product Selection

### Female threaded shaft version

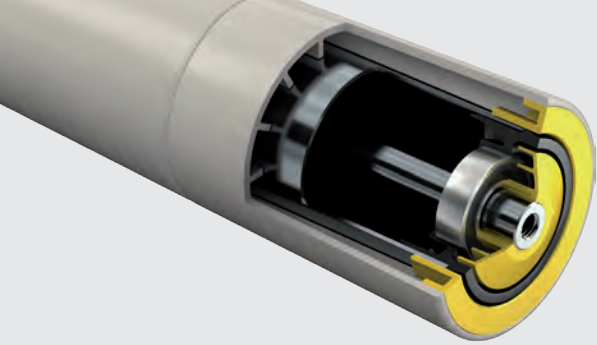
Tube					Ball bearing	Shaft	
Material	Torque transmission	Roller length	Min. Ø	Max. Ø		Reference number	
		mm	mm	mm		Ø 14 mm (M8 x 15)	
Steel, zinc-plated	Without grooves	250	55.6	71.2	6002 2RZ	1.7H4.HE2.NAE	
		300	52.5	71.2	6002 2RZ	1.7H4.HF3.NAE	
		350	55.6	77.6	6002 2RZ	1.7H4.HE3.NAE	
		400	52.5	77.6	6002 2RZ	1.7H4.HF4.NAE	
		450	55.6	84.0	6002 2RZ	1.7H4.HE4.NAE	
		500	52.5	84.0	6002 2RZ	1.7H4.HF5.NAE	
		550	55.6	90.4	6002 2RZ	1.7H4.HE5.NAE	
		600	52.5	90.4	6002 2RZ	1.7H4.HF6.NAE	
		650	55.6	96.8	6002 2RZ	1.7H4.HE6.NAE	
		700	52.5	96.8	6002 2RZ	1.7H4.HF7.NAE	
		750	55.6	103.2	6002 2RZ	1.7H4.HE7.NAE	
		800	52.5	103.2	6002 2RZ	1.7H4.HF8.NAE	
		850	55.6	109.6	6002 2RZ	1.7H4.HE8.NAE	
		900	52.6	109.6	6002 2RZ	1.7H4.HF9.NAE	
		2 grooves	250	55.6	64.8	6002 2RZ	1.7H4.HG2.NAE
			300	52.5	64.8	6002 2RZ	1.7H4.HH3.NAE
			350	55.6	71.2	6002 2RZ	1.7H4.HG3.NAE
			400	52.5	71.2	6002 2RZ	1.7H4.HH4.NAE
	450		55.6	77.6	6002 2RZ	1.7H4.HG4.NAE	
	500		52.5	77.6	6002 2RZ	1.7H4.HH5.NAE	
	550		55.6	84.0	6002 2RZ	1.7H4.HG5.NAE	
	600		52.5	84.0	6002 2RZ	1.7H4.HH6.NAE	
	650		55.6	90.4	6002 2RZ	1.7H4.HG6.NAE	
	700	52.5	90.4	6002 2RZ	1.7H4.HH7.NAE		
	750	55.6	96.8	6002 2RZ	1.7H4.HG7.NAE		
	800	52.5	96.8	6002 2RZ	1.7H4.HH8.NAE		
	850	55.6	103.2	6002 2RZ	1.7H4.HG8.NAE		
900	52.5	103.2	6002 2RZ	1.7H4.HH9.NAE			

### Example of a reference number: 1.7H4.HF5.NAE - 490

This reference number is for a Conveyor Roller Series 1700KXO, steel, zinc-plated, without grooves, roller length 500 mm, Ø shaft 14 mm, female threaded shaft and reference length 490 mm. The reference length RL can be found on the dimensioned drawing:  $RL = EL - 10$ . The axial play of 0.5 mm per side has already been taken into account. The nominal clearance of your conveyor is 500 mm, which also corresponds to the installation length EL, i. e. the reference length is:  $500 - 10 = 490$  mm.

Ordering example





# TAPERED UNIVERSAL CONVEYOR ROLLER SERIES 1700KXO

Standard solution for gravity or driven curves



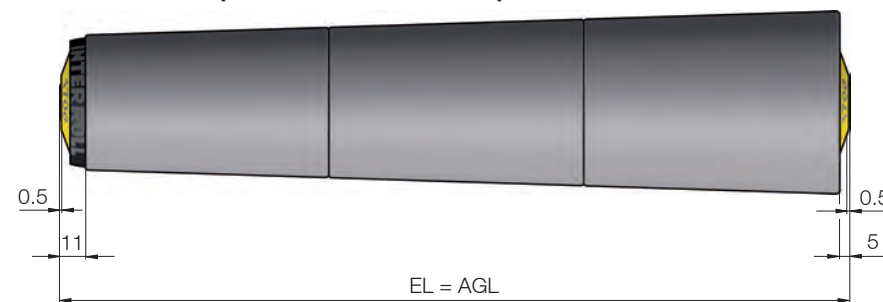
Conveyor Rollers  
Curve  
Series 1700KXO

## Dimensions

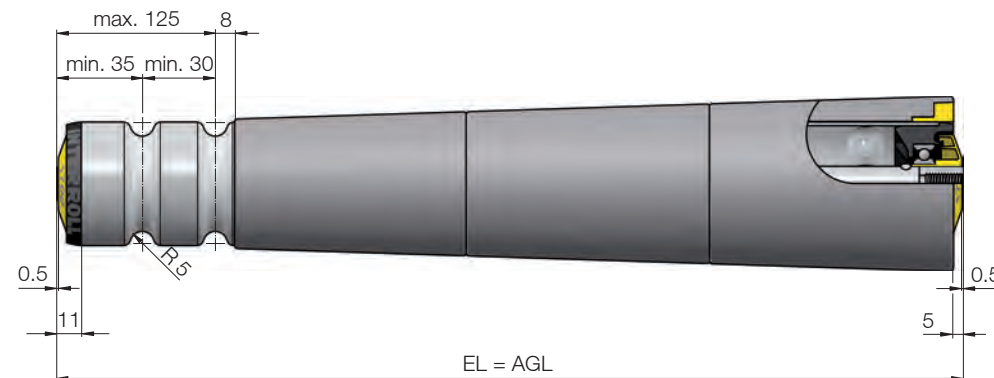
RL	Reference length/Ordering length*
EL	Installation length
AGL	Total length of shaft

\*The reference length/ordering length RL does not have any reference edges on the conveyor roller and can therefore not be shown.

### Dimensions for tapered elements on zinc-plated steel tube



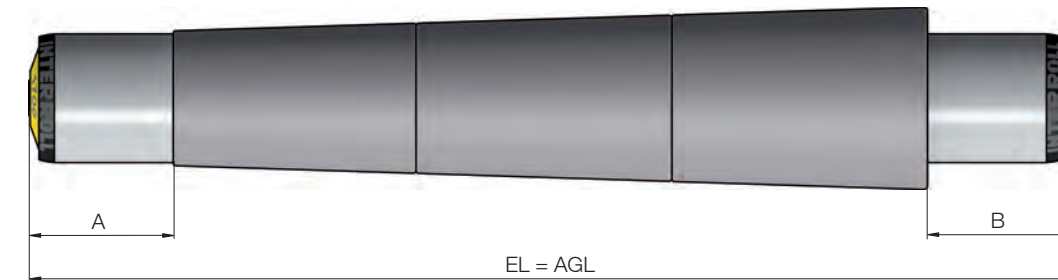
### Dimensions for tapered elements on zinc-plated steel tube with two grooves



## Options

We can offer you the following options in addition to our standard products:

- Internal curve radius 650 mm
- Projection of bearing tube at the internal or external radius

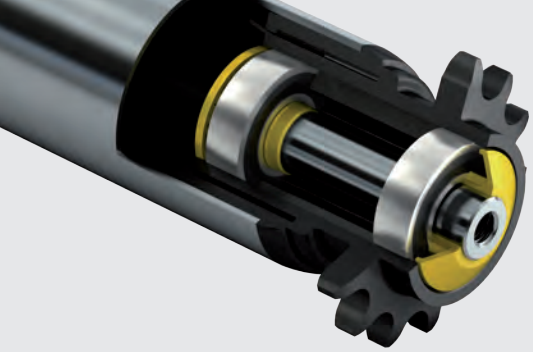


The following dimensions are needed when ordering a tube projection at one or both ends: Dimension A on the internal radius of the curve and Dimension B on the external radius of the curve. If you require a tube projection at one side only, please enter a 0 for the other dimension.

Please contact your Interroll customer consultant for other tube versions:

- Both sides without grooves
- Grooves on internal radius of curve
- Grooves on external radius of curve

## Ordering information



# FIXED DRIVE CONVEYOR ROLLER SERIES 3500



Conveyor Rollers  
Fixed drive  
Series 3500

*Low-noise fixed drive, different drive types*

## Product Description

- Exceptionally low-noise operation
  - Polyamide drive heads (alternatively sprockets made of steel)
- Replaceable chain heads and toothed belt heads for fixed and friction drives
  - Fixed bearing housing for attachable drive heads
- Comprehensive drive versions
  - Round, PolyVee, toothed and flat belts; chain drive 1/2" Z9, Z11, Z14
- Transport of medium-heavy materials to be conveyed
- Drums, tyres, boxes
- Sealed precision ball bearing (6002 2RZ)
- Series 3500 based on Series 1700
- Platform 1700
- The drive head is pressed into the tube by a press fit
- No tube deformation by grooves
- Spatial separation of drive and conveyor areas
- Standard round belt
- The drive head is pressed into the tube by a press fit
- Twice the torque transmission is possible when using flexible PolyVee belts with only 2 ribs compared with a comparable round belt
- Spatial separation of drive and conveyor areas

## Technical Data

General technical data	
Max. load capacity	2,000 N
Max. conveyor speed	2 m/s (with chain drive 0.5 m/s)
Temperature range	-5 to +40 °C
Materials	
Bearing housing	Polyamide
Drive head	Polyamide / Steel
Seal	Polypropylene
Ball bearing	Steel 6002 2RZ

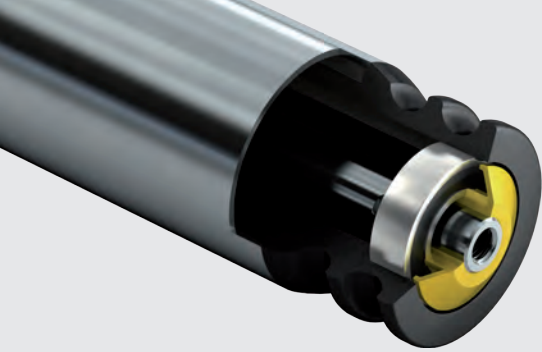
The load capacity depends on the length of the roller, the tube diameter and the torque transmission.

### Female threaded shaft version

Tube material	Ball bearing	Torque transmission	Ø Tube mm	Ø Shaft mm	Max. load capacity in N with an installation length of mm						
					200	400	600	800	1000	1200	1400
PVC	6002 2RZ	Polymer sprocket Z = 11	50 x 2.8	14	300	300	110	40	-	-	-
		1 & 2 polymer sprockets Z = 14	50 x 2.8	14	350	265	90	50	-	-	-
		Toothed belt head Z = 18									
Steel, zinc- plated	6002 2RZ	Polymer sprocket Z = 11	50 x 1.5	14	300	300	300	300	300	290	250
		1 & 2 polymer sprockets Z = 14	50 x 1.5	14	1500	1500	1450	1410	1370	910	650
		Toothed belt head Z = 18	50 x 1.5								
		Round belt head & PolyVee Heads	50 x 1.5	14	350	350	350	350	350	350	350
		1 & 2 polymer sprockets Z = 14	60 x 1.5	14	1500	1500	1450	1410	1390	1370	1150
		Toothed belt head Z = 18	60 x 1.5								
		1 & 2 steel sprockets Z = 14	50 x 1.5	14	2000	2000	2000	1830	1150	790	580
			60 x 1.5		2000	2000	2000	2000	2000	1390	1020

Load capacity





# FIXED DRIVE CONVEYOR ROLLER SERIES 3500

Low-noise fixed drive, different drive types



Conveyor Rollers  
Fixed drive  
Series 3500

## Product Selection

### Tapered shaft-shuttle shaft version

Tube			Ball bearing	Shaft Reference number
Material	Ø mm	Torque transmission		
Steel, zinc-plated	50 x 1.5	Round belt head with 2 grooves	6002 2RZ	3.5P1.JAA.V8U

### Female threaded shaft version

Tube			Ball bearing	Shaft Reference number Ø 14 mm (M8 x 15)	
Material	Ø mm	Torque transmission			
PVC	50 x 2.8	Polymer sprocket 1/2", Z = 14	6002 2RZ	3.5M3.SAA.N90	
		Polymer sprocket 1/2", Z = 11	6002 2RZ	3.5M1.SAA.N90	
		2 polymer sprockets 1/2", Z = 14	6002 2RZ	3.5M5.SAA.N91	
Steel, zinc-plated	50 x 1.5	Toothed belt head	6002 2RZ	3.5B3.JAA.N90	
		Steel sprocket 1/2", Z = 14	6002 2RZ	3.504.JA4.N90	
		Round belt head	6002 2RZ	3.5P0.JAA.N7X	
		Polymer sprocket 1/2", Z = 14	6002 2RZ	3.5HB.JAA.N90	
		Polymer sprocket 1/2", Z = 11	6002 2RZ	3.5H4.JAA.N90	
		PolyVee head	6002 2RZ	3.5PA.JAA.N7X	
		2 steel sprockets 1/2", Z = 14	6002 2RZ	3.504.JA3.N91	
		2 polymer sprockets 1/2", Z = 14	6002 2RZ	3.5HJ.JAA.N91	
		60 x 1.5	Toothed belt head	6002 2RZ	3.5NB.JAB.N90
			Steel sprocket 1/2", Z = 14	6002 2RZ	3.50T.JC1.N90
			Polymer sprocket 1/2", Z = 14	6002 2RZ	3.5N3.JAB.N90
2 steel sprockets 1/2", Z = 14	6002 2RZ		3.50T.JC2.N91		
		2 polymer sprockets 1/2", Z = 14	6002 2RZ	3.5N5JAB.N91	

On request, we can offer you further options in addition to our standard products (cf. p 57).

### Example of a reference number: 3.5HB.JAA.N90 - 460

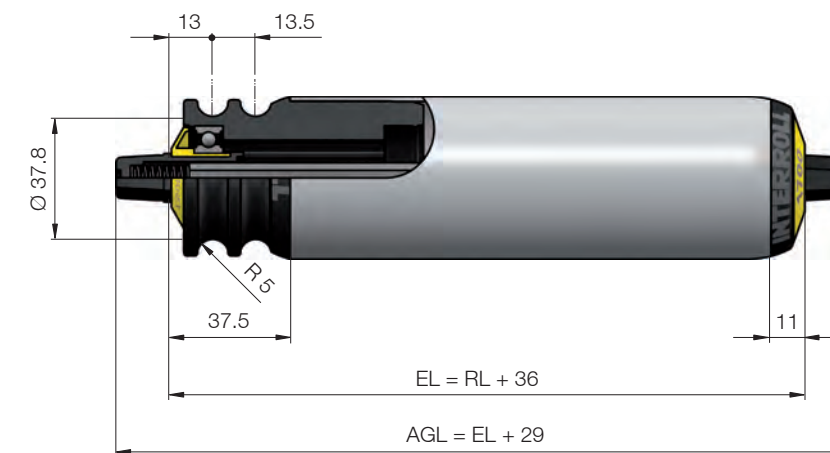
This reference number is for a Conveyor Roller Series 3500, steel, zinc-plated, Ø tube 50 mm, polymer sprocket 1/2", Z = 14, Ø shaft 14 mm, female threaded shaft and reference length 460 mm. The reference length RL can be found on the dimensioned drawing:  $RL = EL - 40$ . The axial play of the sides of 1 mm and 0.5 mm has already been taken into account. The nominal clearance of your conveyor is 500 mm, which also corresponds to the installation length EL, i. e. the reference length is:  $500 - 40 = 460$  mm.

RL	Reference length/Ordering length*
EL	Installation length
AGL	Total length of shaft

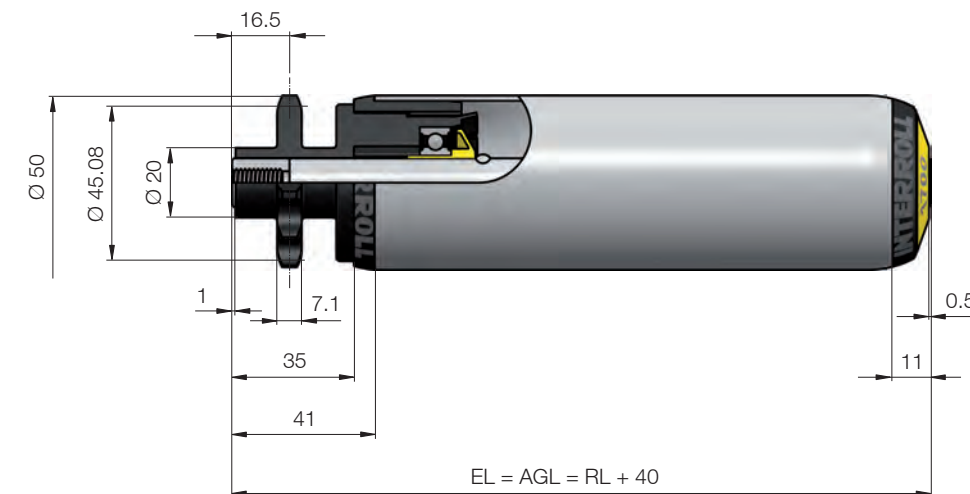
\*The reference length/ordering length RL does not have any reference edges on the conveyor roller and can therefore not be shown.

The dimensions of the conveyor roller depend on the shaft version and the torque transmission. Below are shown dimensioned drawings for each version.

### Dimensions for round belt head with 2 grooves, R = 5 mm



### Dimensions for polymer sprocket 1/2", Z = 11



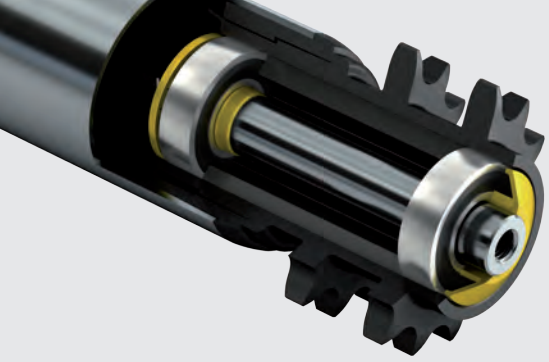
## Dimensions

### Tapered shaft-shuttle

### Female thread

## Standards

## Ordering example



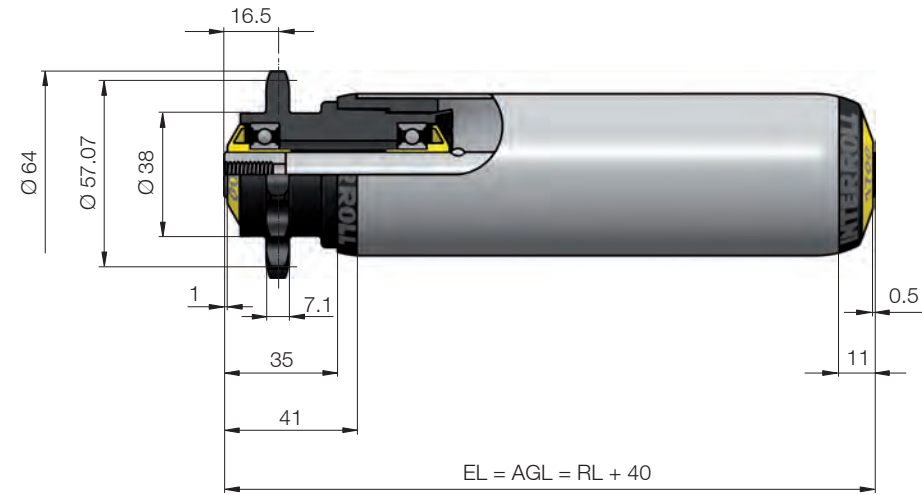
# FIXED DRIVE CONVEYOR ROLLER SERIES 3500

*Low-noise fixed drive, different drive types*

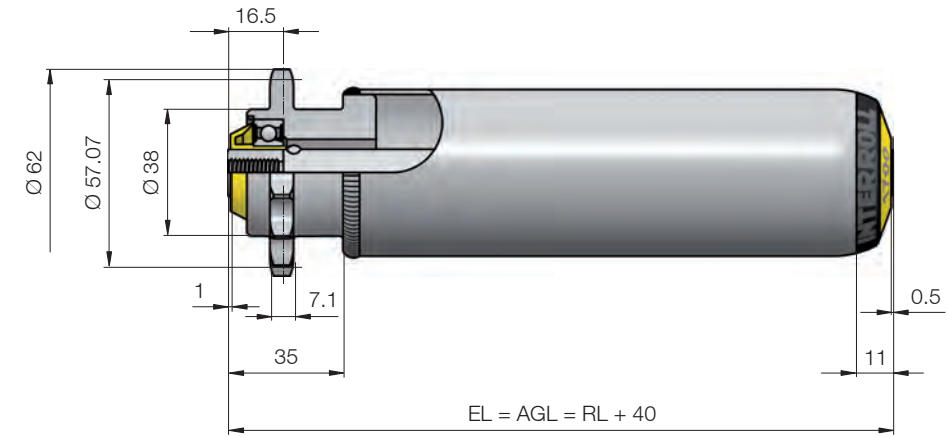


Conveyor Rollers  
Fixed drive  
Series 3500

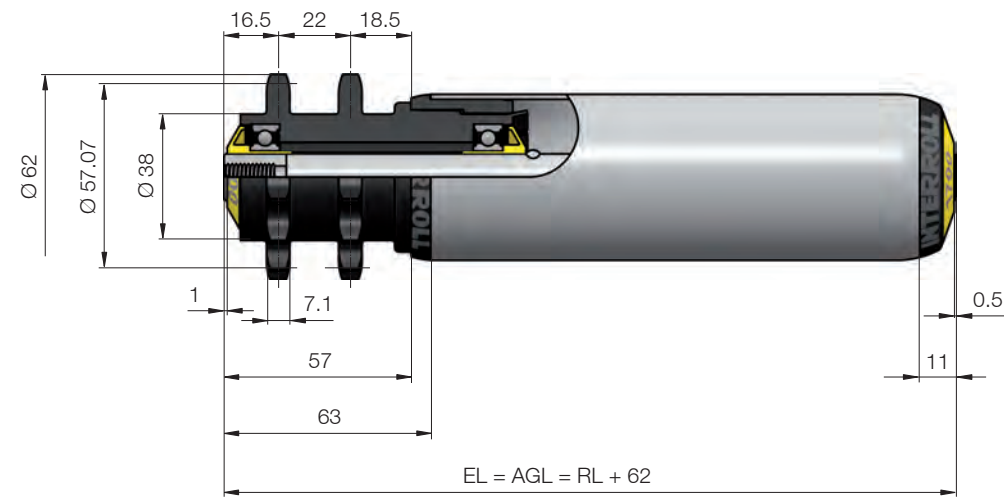
Dimensions for polymer sprocket 1/2", Z = 14



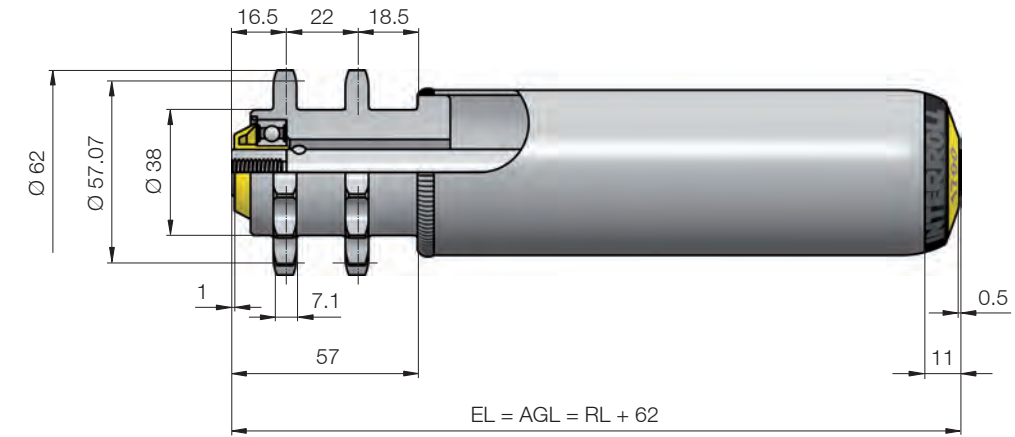
Dimensions for steel sprocket 1/2", Z = 14



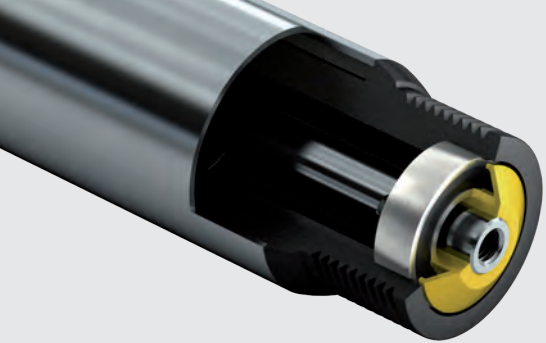
Dimensions for 2 polymer sprockets 1/2", Z = 14



Dimensions for 2 steel sprockets 1/2", Z = 14



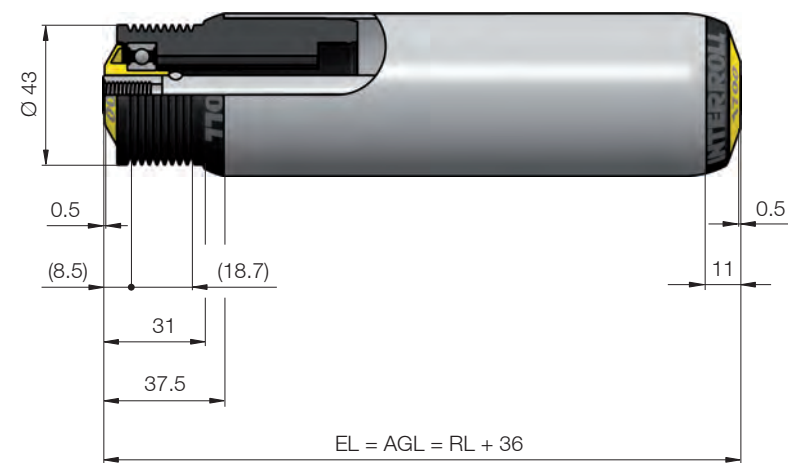




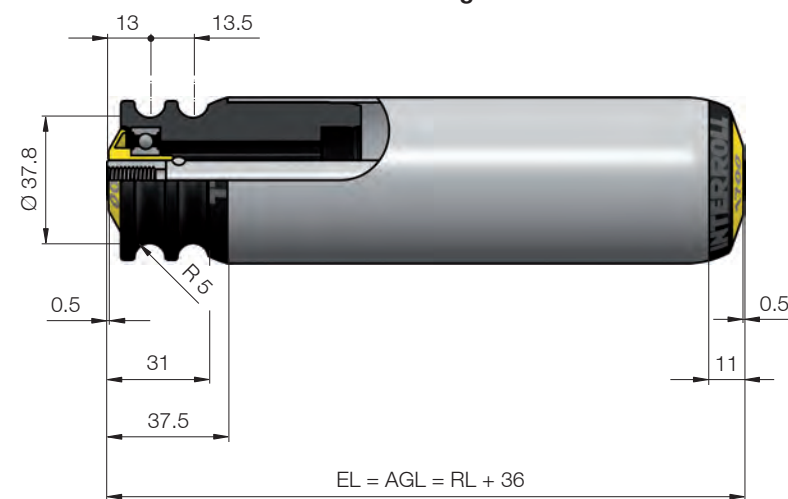
# FIXED DRIVE CONVEYOR ROLLER SERIES 3500

*Low-noise fixed drive, different drive types*

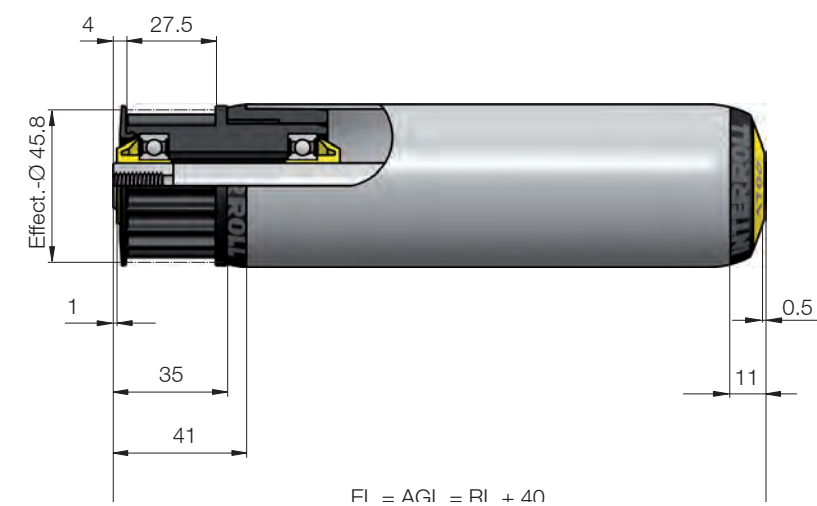
Dimensions for PolyVee head with 9 grooves



Dimensions for round belt head with 2 grooves



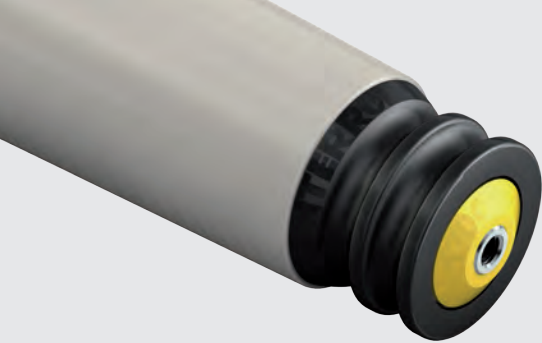
Dimensions for toothed belt head T = 8, Z = 18



## Options

We can offer you the following options in addition to our standard products:

- Antistatic version
- Flanges
- Special surface finish for tubes
  - Hardened
- Tube sleeves
  - Flexible PVC sleeve
  - PU sleeve for Ø50 mm
  - Rubber coating



# TAPERED FIXED DRIVE CONVEYOR ROLLER SERIES 3500KXO

*Efficient, quiet, simplest construction of a driven roller curve*

## Product Description

- Standard product tried and tested a million times over
    - Based on the Universal Conveyor Roller Series 3500
  - Low energy consumption
    - Low net weight due to tapered polypropylene elements
  - Abrasion-proof, sound-reducing, impact-resistant and weather-resistant
    - Tapered technopolymer elements
  - Comprehensive drive versions
    - Round, PolyVee, toothed and flat belts; chain drive 1/2" Z14
- 
- In-house conveying
  - Gravity or belt drives
  - Curves for crates and containers
- 
- Sealed precision ball bearing (6002 2RZ)
  - Drive heads made of highly abrasion-proof, viscopolymer polyamide 6.6
  - End cap for tapered elements
- 
- Platform 1700

## Technical Data

General technical data	
Max. load capacity, RL independent	500 N
Max. conveyor speed	2 m/s (with chain drive 0.5 m/s)
Temperature range	-5 to +40 °C
Materials	
Bearing housing	Polyamide
Seal	Polypropylene
Ball bearing	Steel 6002 2RZ
Tapered elements	Polypropylene

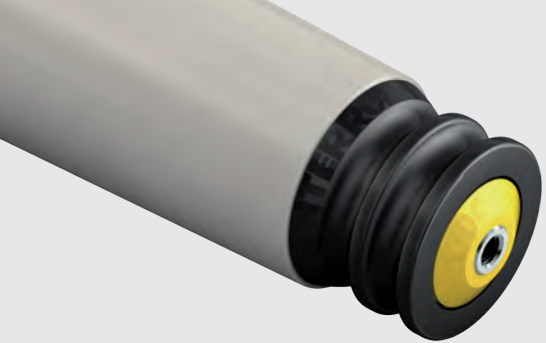
## Product Selection

### Female threaded shaft version

Tube	Torque transmission	Roller length	Min. Ø	Max. Ø	Ball bearing	Shaft	
						Reference number	
Material		mm	mm	mm		Ø 14 mm (M8 x 15)	
Steel, zinc-plated	Round belt head	250	55.6	71.2	6002 2RZ	3.5PO.HE2.N7X	
		300	52.5	71.2	6002 2RZ	3.5PO.HF3.N7X	
		350	55.6	77.6	6002 2RZ	3.5PO.HE3.N7X	
		400	52.5	77.6	6002 2RZ	3.5PO.HF4.N7X	
		450	55.6	84.0	6002 2RZ	3.5PO.HE4.N7X	
		500	52.5	84.0	6002 2RZ	3.5PO.HF5.N7X	
		550	55.6	90.4	6002 2RZ	3.5PO.HE5.N7X	
		600	52.5	90.4	6002 2RZ	3.5PO.HF6.N7X	
		650	55.6	96.8	6002 2RZ	3.5PO.HE6.N7X	
		700	52.5	96.8	6002 2RZ	3.5PO.HF7.N7X	
		750	55.6	103.2	6002 2RZ	3.5PO.HE7.N7X	
		800	52.5	103.2	6002 2RZ	3.5PO.HF8.N7X	
		850	55.6	109.6	6002 2RZ	3.5PO.HE8.N7X	
		PolyVee head	250	55.6	71.2	6002 2RZ	3.5PA.HE2.N7X
			300	52.6	71.2	6002 2RZ	3.5PA.HF3.N7X
			350	55.6	77.6	6002 2RZ	3.5PA.HE3.N7X
			400	52.5	77.6	6002 2RZ	3.5PA.HF4.N7X
			450	55.6	84.0	6002 2RZ	3.5PA.HE4.N7X
	500		52.5	84.0	6002 2RZ	3.5PA.HF5.N7X	
	550		55.6	90.4	6002 2RZ	3.5PA.HE5.N7X	
	600		52.5	90.4	6002 2RZ	3.5PA.HF6.N7X	
	650		55.6	96.8	6002 2RZ	3.5PA.HE6.N7X	
	700		52.5	96.8	6002 2RZ	3.5PA.HF7.N7X	
	750		55.6	103.2	6002 2RZ	3.5PA.HE7.N7X	
	800		52.5	103.2	6002 2RZ	3.5PA.HF8.N7X	
	850		55.6	109.6	6002 2RZ	3.5PA.HE8.N7X	
	2 polymer sprockets 1/2", Z = 14		250	55.6	71.2	6002 2RZ	3.5XQ.HE2.N91
			300	52.5	71.2	6002 2RZ	3.5XQ.HF3.N91
			350	55.6	77.6	6002 2RZ	3.5XQ.HE3.N91
			400	52.5	77.6	6002 2RZ	3.5KY.HF4.N91
			450	55.6	84.0	6002 2RZ	3.5XQ.HE4.N91
		500	52.5	84.0	6002 2RZ	3.5XQ.HF5.N91	
		550	55.6	90.4	6002 2RZ	3.5XQ.HE5.N91	
		600	52.5	90.4	6002 2RZ	3.5XQ.HF6.N91	
		650	55.6	96.8	6002 2RZ	3.5XQ.HE6.N91	
		700	52.5	96.8	6002 2RZ	3.5XQ.HF7.N91	

## Standards





# TAPERED FIXED DRIVE CONVEYOR ROLLER SERIES 3500KXO

*Efficient, quiet, simplest construction of a driven roller curve*

### Ordering example

#### Example of a reference number: 3.5PO.HF5.N7X - 464

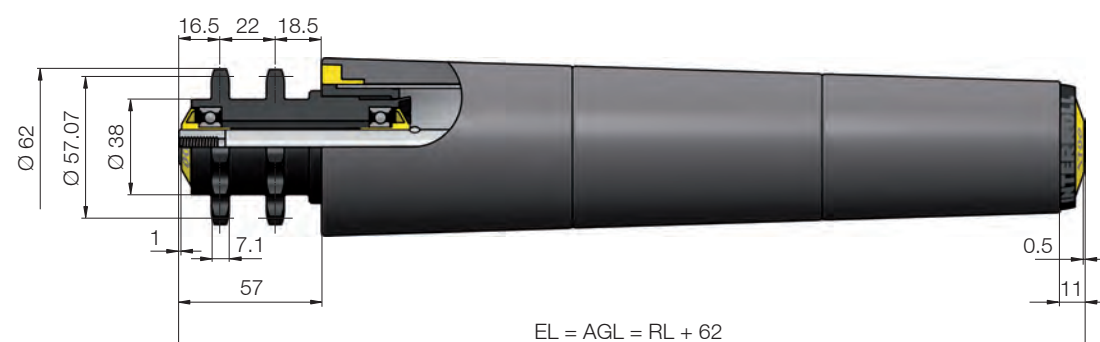
This reference number is for a Conveyor Roller Series 3500KXO, steel, zinc-plated, round belt head, roller length 500 mm, Ø shaft 14 mm, female threaded shaft and reference length 464 mm. The reference length RL can be found on the dimensioned drawing:  $RL = EL - 36$ . The axial play of 0.5 mm per side has already been taken into account. The nominal clearance of your conveyor is 500 mm, which also corresponds to the installation length EL, i. e. the reference length is:  $500 - 36 = 464$  mm.

RL	Reference length/Ordering length*
EL	Installation length
AGL	Total length of shaft

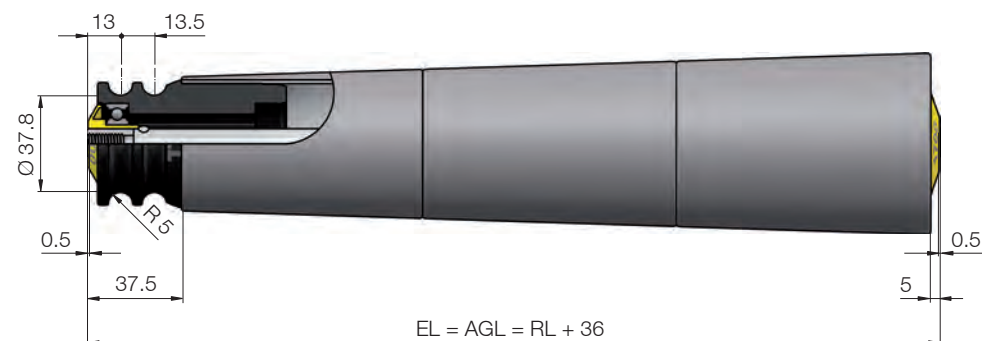
\*The reference length/ordering length RL does not have any reference edges on the conveyor roller and can therefore not be shown.

### Dimensions

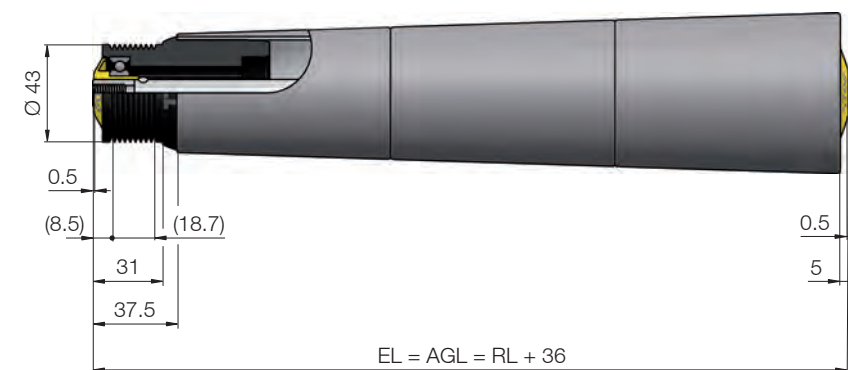
#### Dimensions tapered elements with 2 polymer sprockets 1/2", Z=14



#### Dimensions for tapered elements with round belt head



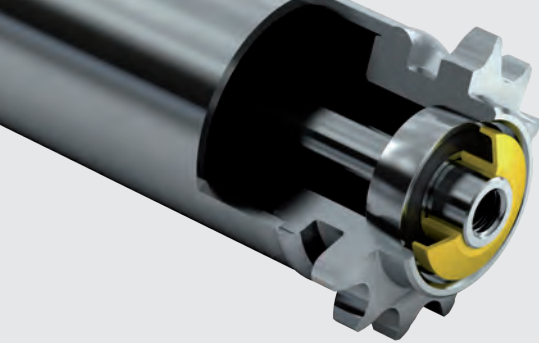
#### Dimensions for tapered elements with PolyVee head



### Options

We can offer you the following options in addition to our standard products:

- Internal curve radius 650 mm
- Extended inner tube



# FIXED DRIVE CONVEYOR ROLLER SERIES 3560



Conveyor Rollers  
Fixed drive  
Series 3560

*Stable fixed drive for small roller pitches*

## Product Description

- Stable, fixed drive conveyor roller
  - Welded steel sprockets, steel tube 60 x 3 mm
- Conveyor reinforced by captive shaft
  - Female threaded shaft Ø 17 mm
- Small pitches possible
  - Ø 60 mm and tangential drive
- Gentle lateral pushing of the materials to be conveyed
  - Rounded tube ends

- Applications
  - In-house driven conveyance of heavy material to be conveyed for which small roller pitches are required
  - Pallets, steel containers without continuous runners

- Properties
  - Sealed precision ball bearing (6003 2RZ)
  - Steel sprockets, welded to tube
  - Zinc-plated as a component after welding

- Associated platform
  - Platform 1700

## Technical Data

### General technical data

Max. load capacity	3,000 N
Max. conveyor speed	1.2 m/s
Temperature range	-5 to +40 °C

### Materials

Bearing housing	Polyamide
Drive head	Steel
Seal	Polyamide
Ball bearing	Steel 6003 2RZ

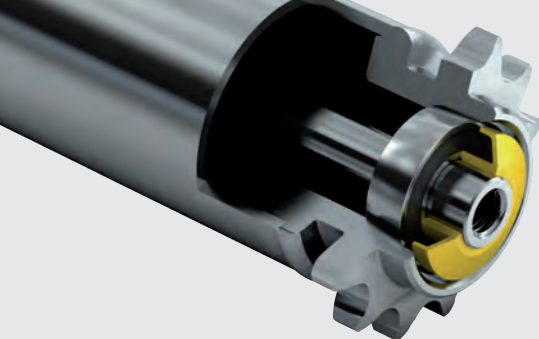
The load capacity depends on the length of the roller.

### Female threaded shaft version

Tube material	Ø Tube mm	Ø Shaft mm	Max. load capacity in N with an installation length of mm					
			200	900	1,000	1,100	1,300	1,500
Steel, zinc-plated	60 x 3	17	3,000	3,000	2,910	2,160	1,290	830

**Load capacity**





# FIXED DRIVE CONVEYOR ROLLER SERIES 3560

Stable fixed drive for small roller pitches

## Product Selection

### Female threaded shaft version

Tube			Ball bearing	Shaft
Material	Ø mm	Torque transmission		Reference number
Steel, zinc-plated	60 x 3.0	Steel sprocket 5/8", Z = 13	6003 2RZ	Ø 17 mm (M12 x 20)
		2 steel sprockets 5/8", Z = 13		3.56W.JDB.RAL

Please state in addition to the reference number the reference length RL and optionally the dimensions for the tube sleeve.

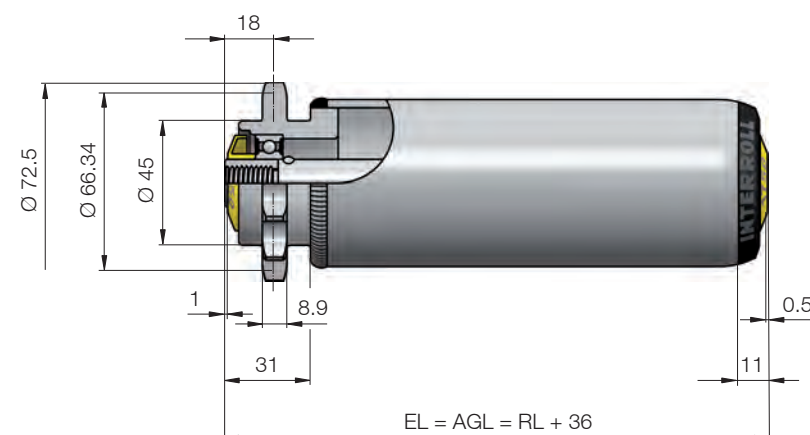
### Example of a reference number: 3.56A.JDC.RAJ - 464

This reference number is for a Conveyor Roller Series 3560, Ø tube 60 mm, steel sprocket 5/8", Z = 13, Ø shaft 17 mm, female threaded shaft and reference length 464 mm. The reference length RL can be found on the dimensioned drawing:  $RL = EL - 36$ . The axial play of the sides of 1 mm and 0.5 mm has already been taken into account. The nominal clearance of your conveyor is 500 mm, which also corresponds to the installation length EL, i. e. the reference length is:  $500 - 36 = 464$  mm.

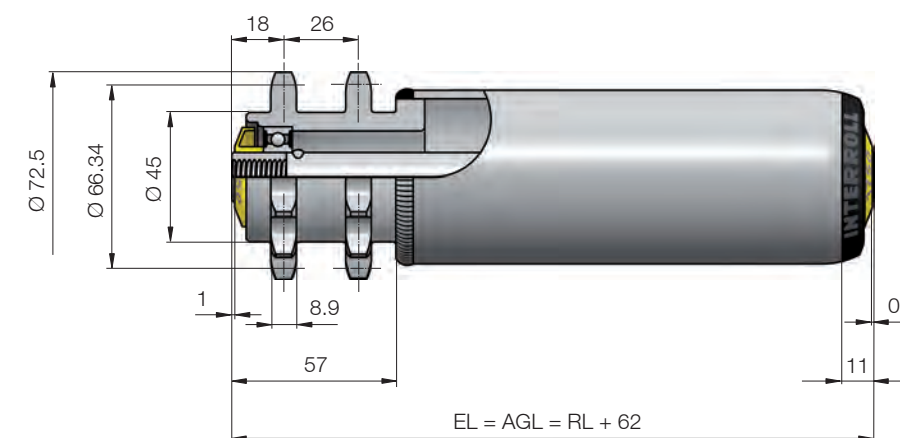
RL	Reference length/Ordering length*
EL	Installation length
AGL	Total length of shaft

\*The reference length/ordering length RL does not have any reference edges on the conveyor roller and can therefore not be shown.

### Dimensions for steel sprocket



### Dimensions for 2 steel sprockets



## Options

We can offer you the following options in addition to our standard products:

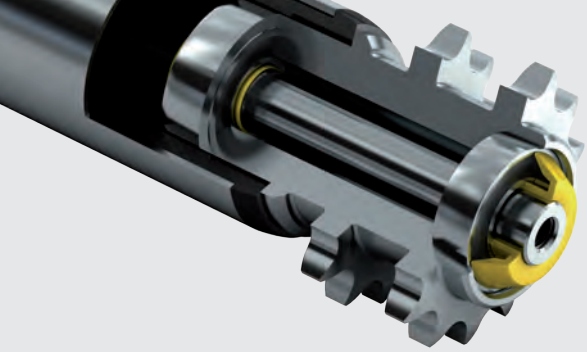
- Flanges
- Tube sleeves
  - Flexible PVC sleeve
  - Rubber coating

Standards

Ordering information

Ordering example

Dimensions



# FRICION CONVEYOR ROLLER SERIES 3800



Conveyor Rollers  
Friction drive  
Series 3800

*Accumulation with gentle accumulation pressure*

## Product Description

- Exceptionally low-noise operation
    - Polyamide or POM drive heads (alternatively made of steel)
  - Replaceable drive heads for fixed and friction drives
    - Fixed bearing housing for attachable drive heads
  - Weight-dependent accumulation pressure and weight-dependent conveyance
    - Radial friction coupling in the conveyor roller
  - Comprehensive drive versions
    - Toothed and flat belts; chain drive 1/2" Z9, Z11, Z14
- Applications**
- Accumulation operation with gentle accumulation pressure of medium-heavy materials to be conveyed
  - Drums, tyres, boxes
- Properties**
- Sealed precision ball bearing (6002 2RZ)
  - Series 3800 based on Series 1700
- Associated platform**
- Platform 1700

## Technical Data

### General technical data

Max. load capacity	500 N
Max. conveyor speed	0.5 m/s
Temperature range	-5 to +40 °C

### Materials

Bearing housing	Polyamide
Drive head	Polyamide, POM, steel
Friction coupling	Polyamide
Seal	Polypropylene
Ball bearing	Steel 6002 2RZ

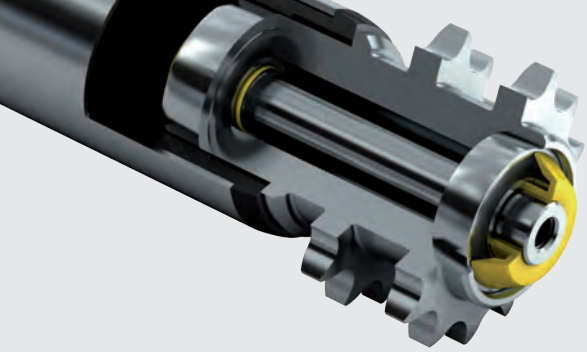
The load capacity depends on the shaft version, the tube diameter, the length of the roller and the torque transmission.

### Female threaded shaft version

Tube material	Ball bearing	Torque transmission	Ø Tube mm	Ø Shaft mm	Max. load capacity in N with an installation length of mm						
					200	400	600	800	1000	1200	1400
PVC	6002 2RZ	Polymer sprocket Z = 11	50 x 2.8	14	300	300	110	40	-	-	-
		1 & 2 polymer sprockets Z = 14	50 x 2.8	14	350	265	90	50	-	-	-
		Toothed belt head Z = 18									
Steel, zinc- plated	6002 2RZ	Polymer sprocket Z = 11	50 x 1.5	14	300	300	300	300	300	290	250
		1 & 2 polymer sprockets Z = 14	50 x 1.5	14	500	500	500	500	500	500	500
		Toothed belt head Z = 18	50 x 1.5								
		1 & 2 polymer sprockets Z = 14	60 x 1.5	14	500	500	500	500	500	500	500
		Toothed belt head Z = 18	60 x 1.5								
		1 & 2 steel sprockets Z = 14	50 x 1.5	14	500	500	500	500	500	500	500
			60 x 1.5		500	500	500	500	500	500	500

**Load capacity**





# FRICION CONVEYOR ROLLER SERIES 3800



Conveyor Rollers  
Friction drive  
Series 3800

Accumulation with gentle accumulation pressure

## Product Selection

### Female threaded shaft version

Tube		Torque transmission	Ball bearing	Shaft
Material	Ø mm			Reference number
PVC	50 x 2.8	Polymer sprocket 1/2", Z = 14	6002 2RZ	Ø 14 mm (M8 x 15) 3.8M3.SAA.N90
		Polymer sprocket 1/2", Z = 11		3.8M1.SAA.N90
		2 polymer sprockets 1/2", Z = 14		3.8M5.SAA.N91
Steel, zinc-plated	50 x 1.5	Toothed belt head	6002 2RZ	3.8B2.JAA.N90
		Steel sprocket 1/2", Z = 14		3.80R.JAA.N7S*
		Steel sprocket 1/2", Z = 14		3.8J6.JAA.N90
		Polymer sprocket 1/2", Z = 14		3.8L7.JAA.N90
		Polymer sprocket 1/2", Z = 11		3.8L2.JAA.N90
		2 steel sprockets 1/2", Z = 14		3.8K9.JAA.N91
		2 polymer sprockets 1/2", Z = 14		3.8LC.JAA.N91

\*Adjustable friction

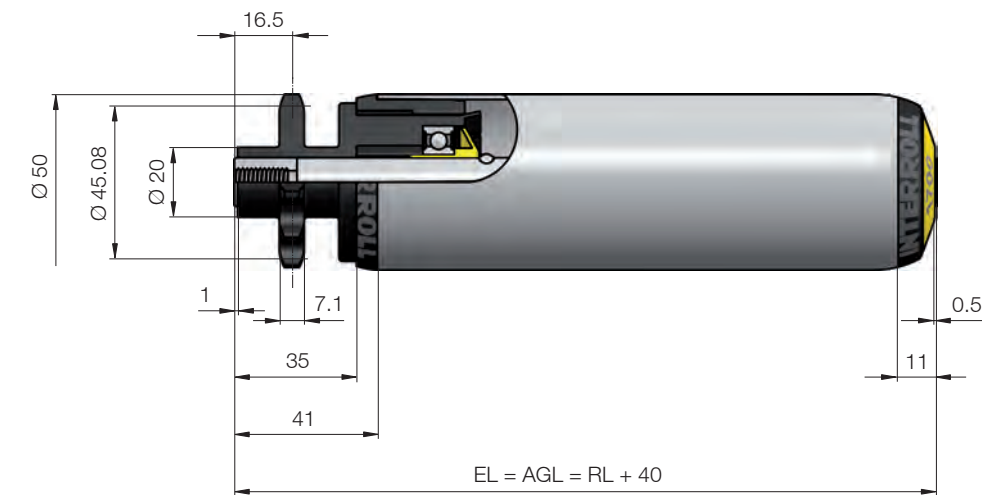
### Example of a reference number: 3.8L7.JAA.N90 - 460

This reference number is for a Conveyor Roller Series 3800, steel, zinc-plated, Ø tube 50 mm, polymer sprocket 1/2", Z = 14, Ø shaft 14 mm, female threaded shaft and reference length 460 mm. The reference length RL can be found on the dimensioned drawing:  $RL = EL - 40$ . The axial play of the sides of 1 mm and 0.5 mm has already been taken into account. The nominal clearance of your conveyor is 500 mm, which also corresponds to the installation length EL, i. e. the reference length is:  $500 - 40 = 460$  mm.

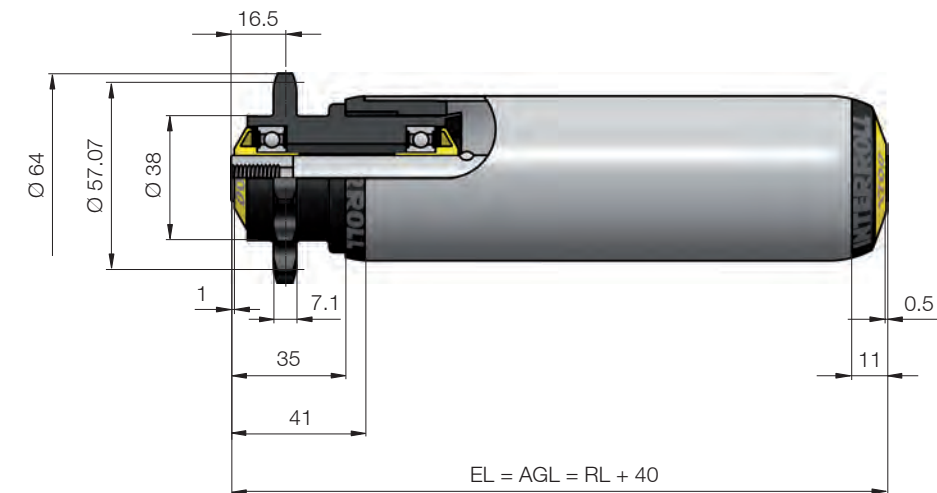
RL	Reference length/Ordering length*
EL	Installation length
AGL	Total length of shaft

\*The reference length/ordering length RL does not have any reference edges on the conveyor roller and can therefore not be shown.

Dimensions for polymer sprocket 1/2", Z = 11



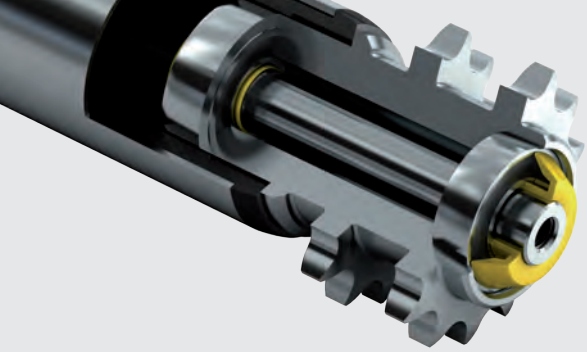
Dimensions for polymer sprocket 1/2", Z = 14



Standards

Ordering example

Dimensions



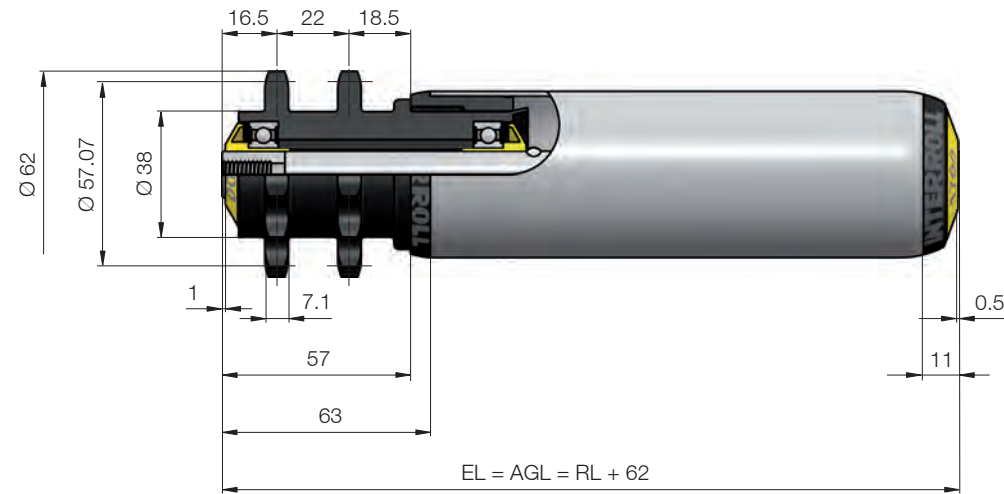
# FRICION CONVEYOR ROLLER SERIES 3800



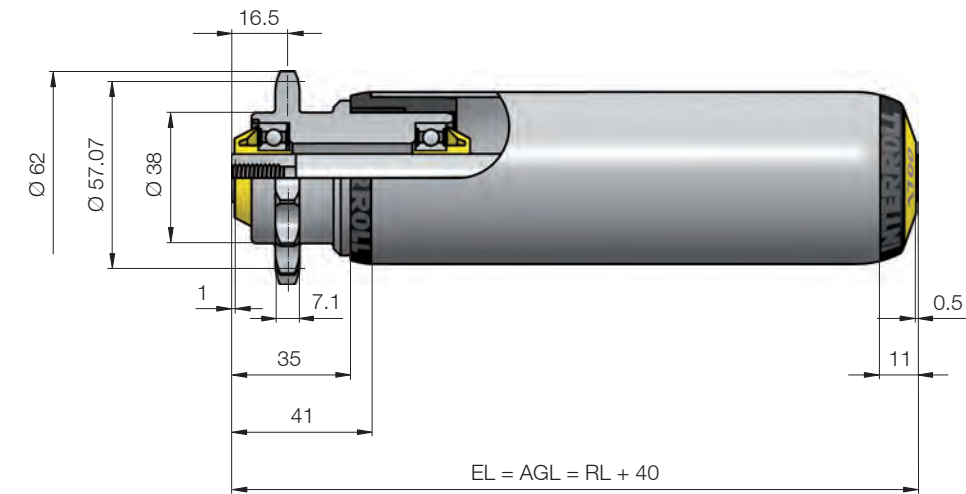
Conveyor Rollers  
Friction drive  
Series 3800

*Accumulation with gentle accumulation pressure*

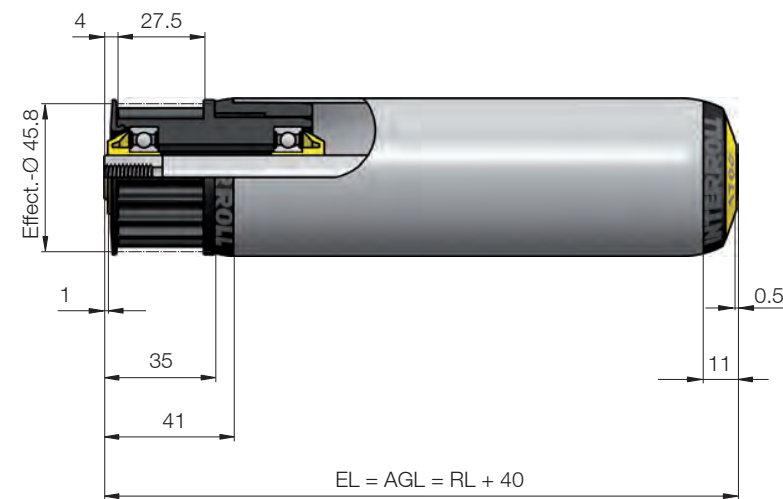
Dimensions for 2 polymer sprockets 1/2", Z = 14



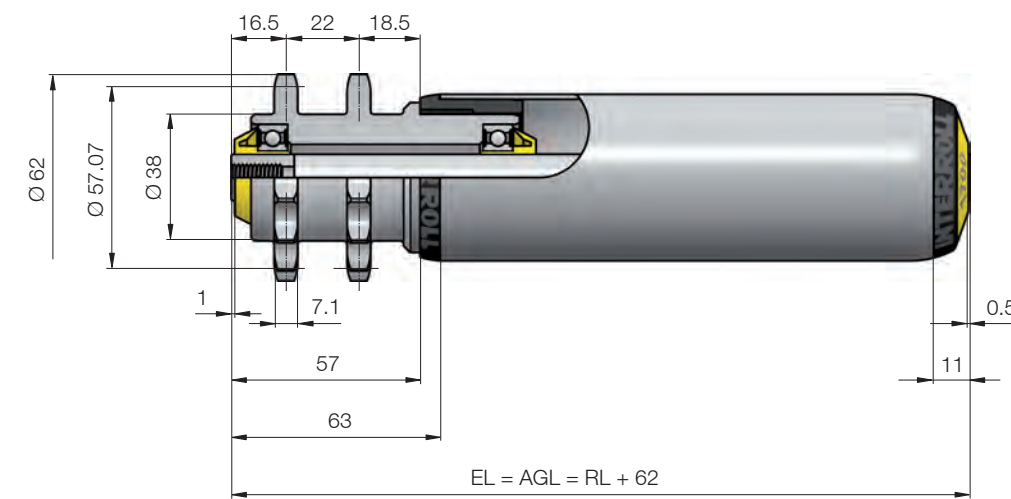
Dimensions for steel sprocket 1/2", Z = 14



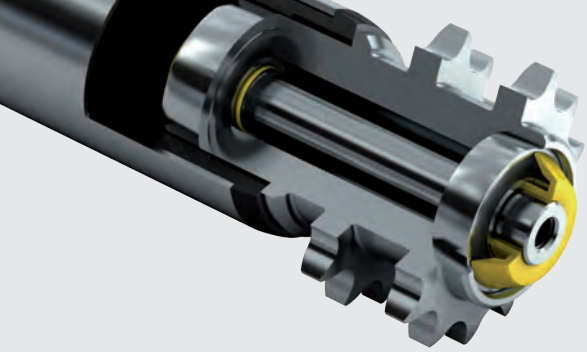
Dimensions for toothed belt head T = 8, Z = 18



Dimensions for 2 steel sprockets 1/2", Z = 14







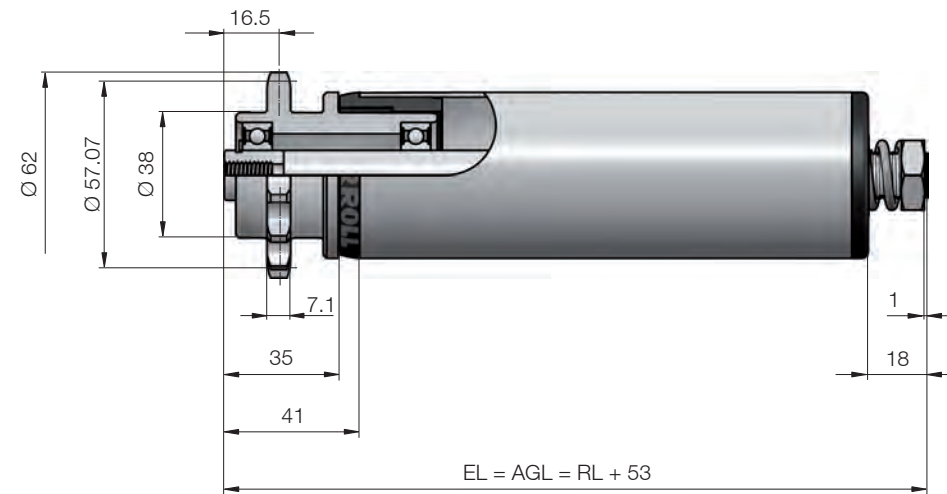
# FRICION CONVEYOR ROLLER SERIES 3800

*Accumulation with gentle accumulation pressure*



Conveyor Rollers  
Friction drive  
Series 3800

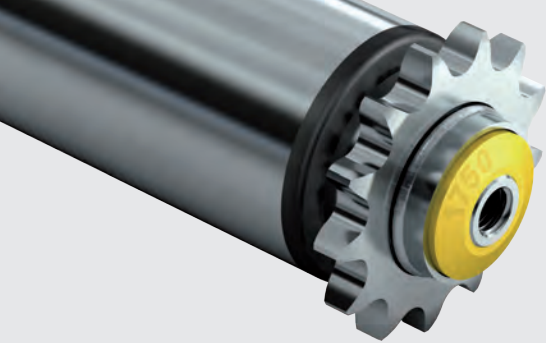
Dimensions for steel sprocket 1/2", Z = 14 (adjustable friction)



## Options

We can offer you the following options in addition to our standard products:

- Antistatic version



# DOUBLE FRICTION CONVEYOR ROLLER SERIES 3860



Conveyor Rollers  
Friction drive  
Series 3860

*Accumulation with increased conveyor forces*

## Product Description

- Simultaneous conveyance and accumulation with one drive
    - Mechanical solution with friction coupling in the conveyor roller
  - Weight-dependent accumulation pressure and weight-dependent conveyance
    - Radial friction coupling in the conveyor roller
  - Increased conveying forces for critical materials to be conveyed
    - Radial friction coupling at both sides joined by coupling tube
  - Comprehensive drive versions
    - Roller-to-roller and tangential chain drive
- 
- In-house accumulation roller conveyors with increased accumulation pressure
  - Heavy materials to be conveyed
  - Pallets
  - Steel containers
- 
- Sealed precision ball bearing (6003 2RZ)
  - Steel sprockets, welded to tube
  - Zinc-plated as a component after welding
- 
- Platform 1700

## Technical Data

General technical data	
Max. load capacity	1,300 N
Max. conveyor speed	0.5 m/s
Temperature range	-5 to +40 °C
Materials	
Bearing housing	Polyamide
Drive head	Steel
Friction coupling	Polyamide
Seal	Polyamide
Ball bearing	Steel 6003 2RZ

The load capacity depends on the length of the roller.

### Female threaded shaft version

Tube material	Ø Tube mm	Max. load capacity in N with an installation length of mm		
		200	1,300	1,500
Steel, zinc-plated	60 x 3	1,300	1,300	640

**Load capacity**

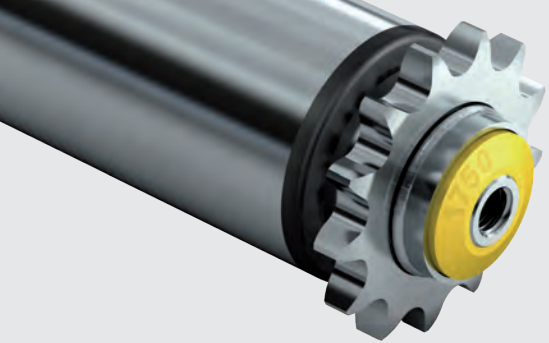
**Customer benefits**

**Applications**

**Properties**

**Associated platform**





# DOUBLE FRICTION CONVEYOR ROLLER SERIES 3860



Conveyor Rollers  
Friction drive  
Series 3860

*Accumulation with increased conveyor forces*

## Product Selection

### Female threaded shaft version

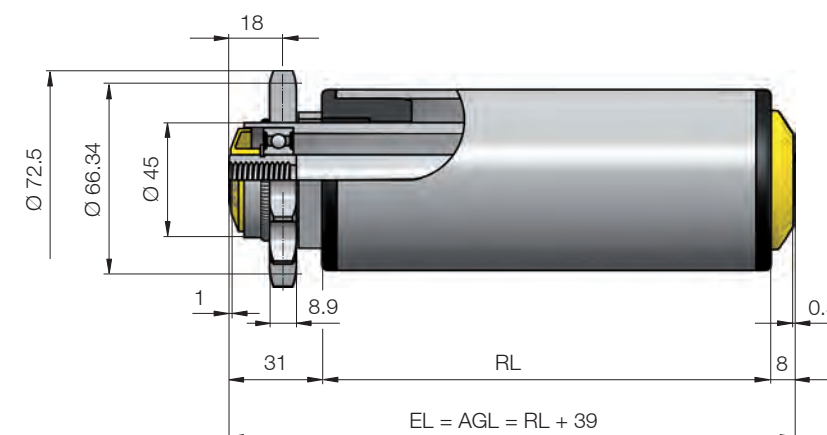
Tube			Ball bearing	Shaft
Material	Ø mm	Torque transmission		Reference number
Steel, zinc-plated	60 x 3.0	Steel sprocket 5/8", Z = 13	6003 2RZ	Ø 17 mm (M12 x 20)
		2 steel sprockets 5/8", Z = 13		3.86A.JBV.RCD
				3.86A.JBU.RCB

### Example of a reference number: 3.86A.JBU.RCB - 461

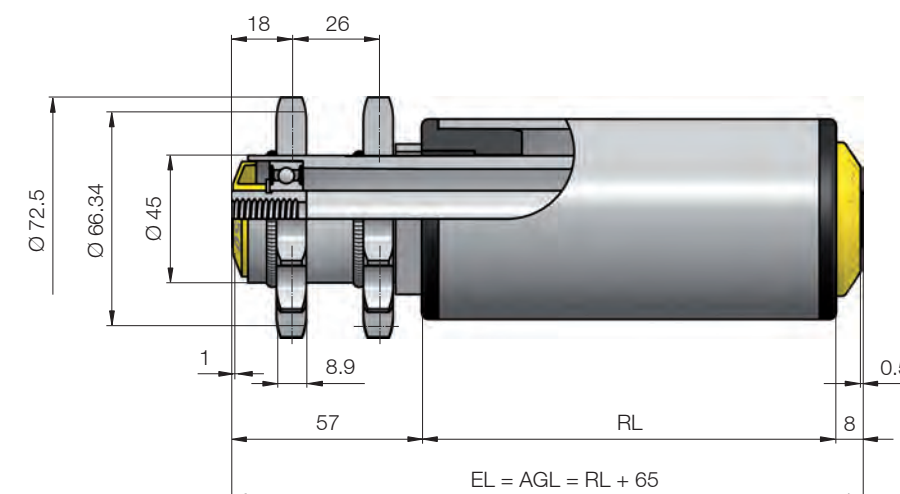
This reference number is for a Conveyor Roller Series 3860, Ø tube 60 mm, steel sprocket 5/8", Z = 13, Ø shaft 17 mm, female threaded shaft and reference length 461 mm. The reference length RL can be found on the dimensioned drawing:  $RL = EL - 39$ . The axial play of 0.5 mm per side has already been taken into account. The nominal clearance of your conveyor is 500 mm, which also corresponds to the installation length EL, i. e. the reference length is:  $500 - 39 = 461$  mm.

RL	Reference length/Ordering length
EL	Installation length
AGL	Total length of shaft

### Dimensions for steel sprocket , Z = 13



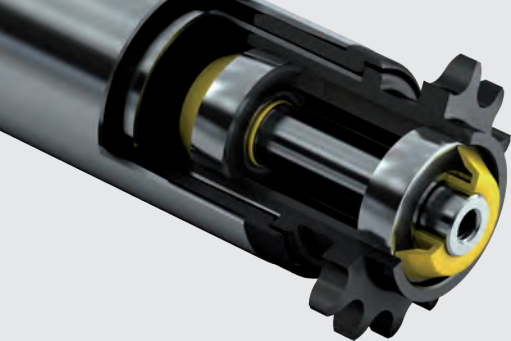
### Dimensions for 2 steel sprockets , Z = 13



## Dimensions

Standards

Ordering example



# DOUBLE FRICTION CONVEYOR ROLLER SERIES 3870



Conveyor Rollers  
Friction drive  
Series 3870

*Accumulation with increased conveyor forces*

## Product Description

- Simultaneous conveyance and accumulation with one drive
    - Mechanical solution with friction coupling in the conveyor roller
  - Weight-dependent accumulation pressure and weight-dependent conveyance
    - Radial friction coupling in the conveyor roller
  - Increased conveying forces for critical materials to be conveyed
    - Radial friction coupling at both sides joined by coupling tube
  - Comprehensive drive versions
    - Roller-to-roller and tangential chain drive
- 
- In-house accumulation roller conveyors with increased accumulation pressure
  - Medium-heavy materials to be conveyed
  - Boxes
  - Containers
  - Trays
- 
- Sealed precision ball bearing (6002 2RZ)
  - Polyamide steel sprockets, press-fitted onto the tube
- 
- Platform 1700

## Technical Data

General technical data	
Max. load capacity	500 N
Max. conveyor speed	0.5 m/s
Temperature range	-5 to +40 °C
Materials	
Bearing housing	Polyamide
Drive head	Polyamide
Friction coupling	Polyamide
Seal	Polyamide
Ball bearing	Steel 6002 2RZ

The load capacity depends on the length of the roller.

### Female threaded shaft version

Tube material	Ball bearing	Torque transmission	Ø Tube mm	Ø Shaft mm	Max. load capacity in N with an installation length of mm			
					200	1,100	1,300	1,500
Steel, zinc-plated	6002 2RZ	at will	50 x 1.5	14	500	500	440	280

Load capacity

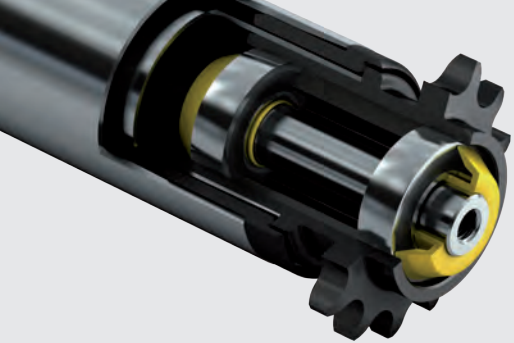
Customer benefits

Applications

Properties

Associated platform





# DOUBLE FRICTION CONVEYOR ROLLER SERIES 3870



Conveyor Rollers  
Friction drive  
Series 3870

*Accumulation with increased conveyor forces*

## Product Selection

### Female threaded shaft version

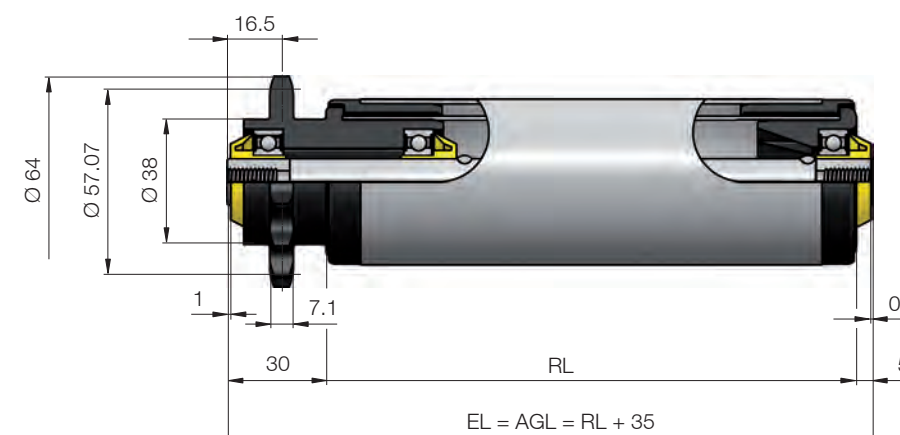
Tube			Ball bearing	Shaft
Material	Ø mm	Torque transmission		Reference number
Steel, zinc-plated	50 x 1.5	Polymer sprocket 1/2", Z = 14	6002 2RZ	Ø 14 mm (M8 x 15) 3.84P.JPB.N9C
		2 polymer sprockets 1/2", Z = 14		3.84V.JPB.N9L

### Example of a reference number: 3.84P.JPB.N9C - 465

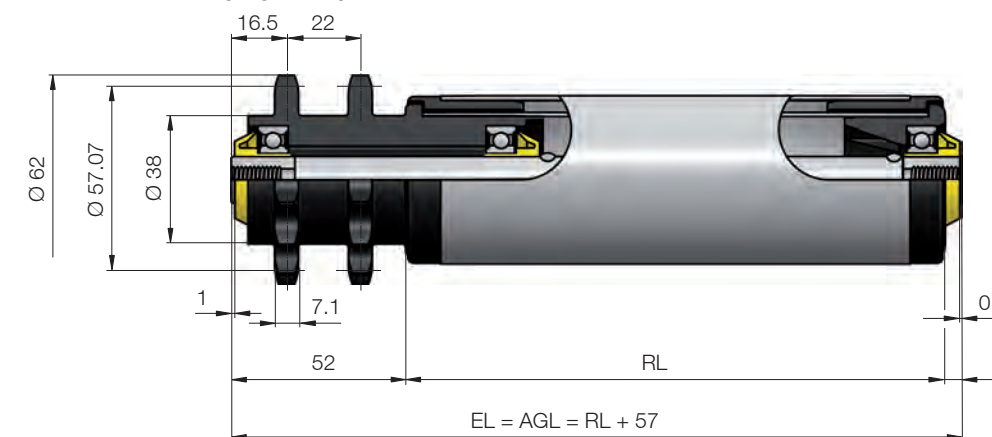
This reference number is for a Conveyor Roller Series 3870, Ø tube 50 mm, polymer sprocket 1/2", Z = 14, Ø shaft 14 mm, female threaded shaft and reference length 465 mm. The reference length RL can be found on the dimensioned drawing:  $RL = EL - 35$ . The axial play of the sides of 1 mm and 0.5 mm has already been taken into account. The nominal clearance of your conveyor is 500 mm, which also corresponds to the installation length EL, i. e. the reference length is:  $500 - 35 = 465$  mm.

RL	Reference length/Ordering length
EL	Installation length
AGL	Total length of shaft

### Dimensions for polymer sprocket 1/2", Z = 14



### Dimensions for 2 polymer sprockets 1/2", Z = 14



## Dimensions

Standards

Ordering example

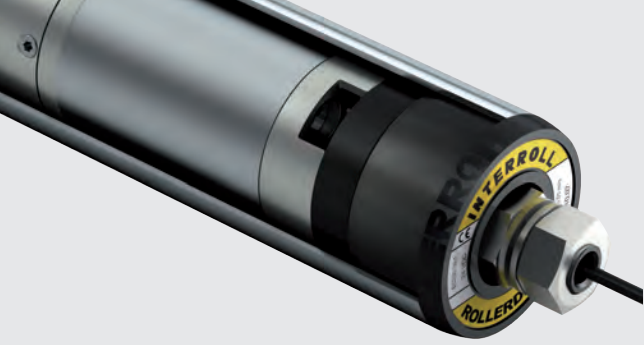




# ROLLERDRIVES OVERVIEW

	BT100	BT100 IP66		EC310	EC310 IP66
<b>Mechanical power</b>	11 W	11 W		32 W	32 W
<b>Conveyor speed</b>	0.1 to 0.9 m/s	0.1 to 0.9 m/s		0.03 to 3.93 m/s	0.03 to 3.93 m/s
<b>Commutation type</b>	Mechanical	Mechanical		Electronic, internal	Electronic, internal
<b>Controls</b>	Z-card BT p 112			DriveControl 20 p 104 DriveControl 54 p 106 ZoneControl p 108	DriveControl 20 p 104 DriveControl 54 p 106 ZoneControl p 108
<b>Drive concepts</b>					
Round belt	✓	✓		✓	✓
PolyVee belt	✓			✓	
Toothed belt				✓	
	<b>see page 84</b>	<b>see page 88</b>		<b>see page 92</b>	<b>see page 98</b>





# ROLLERDRIVE BT100

*Low-noise RollerDrive with simple control*

## Product Description

- Mechanical commutation (brush motor)
- Integral overheat protection
- 6 gear stages
- Open strands/plug for Z-Card BT

## Technical Data

General technical data	
Mechanical power	11 W
Noise level	47 dB(A)
Min. lifetime	6,000 h
Max. load capacity with a roller length of from 300 to 1,000 mm	1,100 N
Max. load capacity with a roller length of from 1,010 to 1,500 mm	490 N
Electrical data	
Rated voltage	24 V DC
Voltage range	16 to 28 V DC
Idle current	0.6 A
Max. continuous current	1.3 A
Max. start-up current	4.5 A
System efficiency	36 %
Permissible voltage undulation	< 5 %, recommended: < 1 %
Protection rate	IP54
Dimensions	
Tube diameter	50 mm
Wall thickness	1.5 mm
Max. roller length	1,500 mm
Ambient conditions	
Ambient temperature in operation	0 to +40 °C
Ambient temperature during transport and storage	-20 to +75 °C
Max. air humidity	90 %, non-condensing

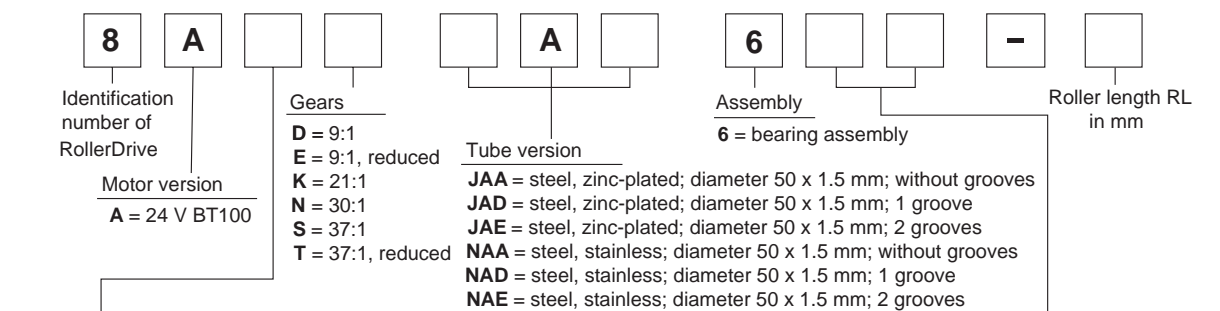
## Product Selection

The following tables provide an overview of the possible versions.

Gears	Gear ratio	Max. conveyor speed	Rated torque	Start-up torque
		m/s	Nm	Nm
Two-stage	9:1	0.9	0.45	1.90
	9:1, reduced	0.7	0.70	2.60
	21:1	0.4	0.84	3.00
Three-stage	30:1	0.3	1.28	4.40
	37:1	0.2	1.64	6.60
	37:1, reduced	0.1	2.50	6.40

Gears	Tube	Shaft	Min. roller length mm
Two-stage	Grooves	Female thread M8	246
		11 mm hex spring-loaded shaft	262
	PolyVee head	Female thread M8	228
		11 mm hex spring-loaded shaft	239
Round belt head	Female thread M8	239	
	11 mm hex spring-loaded shaft	228	
Without grooves	Female thread M8	203	
	11 mm hex spring-loaded shaft	246	
Three-stage	Grooves	Female thread M8	264
		11 mm hex spring-loaded shaft	280
	PolyVee head	Female thread M8	246
		11 mm hex spring-loaded shaft	257
	Round belt head	Female thread M8	257
		11 mm hex spring-loaded shaft	246
Without grooves	Female thread M8	221	
	11 mm hex spring-loaded shaft	264	

<b>Tube material</b>	Steel, stainless steel / Steel, zinc-plated
<b>Shaft material</b>	Steel, stainless steel / Steel, zinc-plated
<b>Motor shaft</b>	11 mm hex with male thread M12 x 1.5
<b>Tube sleeve</b>	PVC, 2 mm / PVC, 5 mm
<b>Length of motor cable</b>	1 m / 2 m / 5 m



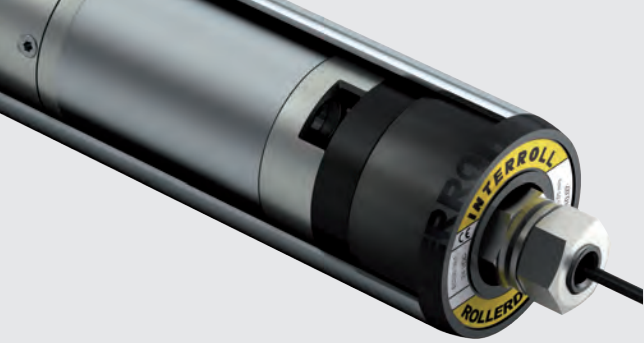
<b>Motor shaft version</b>	<b>Counter-bearing version</b>
<b>C</b> = steel, zinc-plated; 11 mm hex with male thread M12 x 1.5; cable 1 m	<b>FT</b> = female thread M8; stainless steel
<b>D</b> = steel, zinc-plated; 11 mm hex with male thread M12 x 1.5; cable 2 m	<b>SL</b> = 11 mm hex spring-loaded shaft; zinc-plated steel
<b>E</b> = steel, zinc-plated; 11 mm hex with male thread M12 x 1.5; cable 5 m	<b>SS</b> = 11 mm hex spring-loaded shaft; stainless steel
<b>K</b> = steel, stainless; 11 mm hex with male thread M12 x 1.5; cable 1 m	<b>PS</b> = PolyVee head; 11 mm hex spring-loaded shaft; zinc-plated steel
<b>L</b> = steel, stainless; 11 mm hex with male thread M12 x 1.5; cable 2 m	<b>PF</b> = PolyVee head; female thread M8; zinc-plated steel
<b>M</b> = steel, stainless; 11 mm hex with male thread M12 x 1.5; cable 5 m	<b>RS</b> = round belt head; 11 mm hex spring-loaded shaft; zinc-plated steel
	<b>RF</b> = round belt head; female thread M8; zinc-plated steel

**Counter bearing  
and min. roller  
length versions**

**Further versions**

**Reference  
number**





# ROLLERDRIVE BT100

Low-noise RollerDrive with simple control



RollerDrives  
BT100

## Dimensions and Connections

The dimensions depend on the shaft and counter bearing selected. The reference length/ordering length RL does not have any reference edges on the conveyor roller and can therefore not be shown. The installation (EL) corresponds to the clearance between the side profiles. All dimensions in mm.

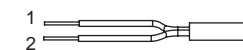
Motor shaft	Counter bearing	
11 mm hex M12 x 1.5	11 mm hex spring-loaded shaft	Female thread M8
	Straight	
	RL = EL - 11	RL = EL - 11
	Round belt head	
	RL = EL - 37	RL = EL - 37
	PolyVee Heads	
	RL = EL - 37	RL = EL - 37

Motor shaft	Counter bearing	
	11 mm hex spring-loaded shaft	Female thread M8
	Grooves	
	RL = EL - 11	RL = EL - 11

The RollerDrive BT100 is available in two versions:

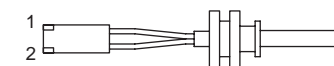
- 2 core 5 m cable
- Motor cable with plug to fit Z-Card BT in lengths 1 m and 2 m

### Motor cable assignment:



Pin	Colour	Line
1	White	24 V DC
2	Brown	Earth

### Motor plug assignment:



Pin	Colour	Line
1	Red	24 V DC
2	Black	Earth

Motor cable

Motor plug



# ROLLERDRIVE BT100 IP66

Sealed RollerDrive with a simple control for operation in wet areas



RollerDrives  
BT100 IP66

## Product Description

- Mechanical commutation (brush motor)
- Integral overheat protection
- 6 gear stages
- Open strands
- Protection class IP66

## Technical Data

General technical data	
Mechanical power	11 W
Noise level	47 dB(A)
Min. lifetime	6,000 h
Max. load capacity with a roller length of from 300 to 1,000 mm	1,100 N
Max. load capacity with a roller length of from 1,010 to 1,500 mm	490 N
Electrical data	
Rated voltage	24 V DC
Voltage range	16 to 28 V DC
Idle current	0.6 A
Max. continuous current	1.3 A
Max. start-up current	4.5 A
System efficiency	36 %
Permissible voltage undulation	< 5 %, recommended: < 1 %
Protection rate	IP66
Dimensions	
Tube diameter	50 mm
Wall thickness	1.5 mm
Max. roller length	1,500 mm
Ambient conditions	
Ambient temperature in operation	0 to +40 °C
Ambient temperature during transport and storage	-20 to +75 °C

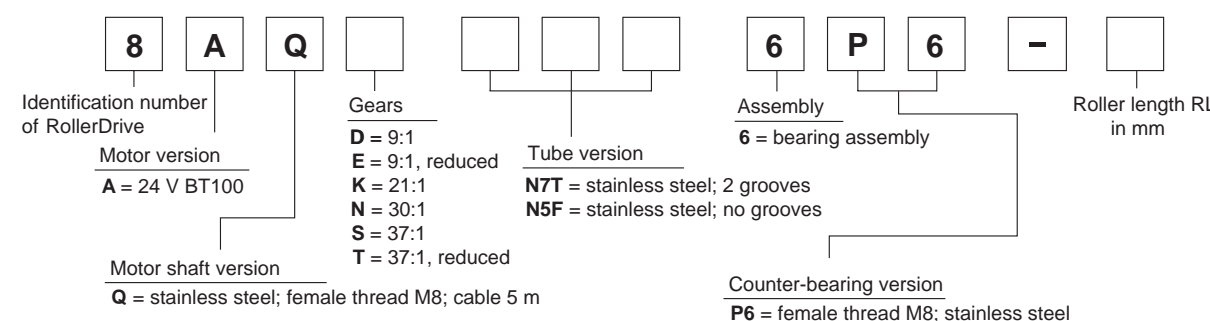
## Product Selection

The following tables provide an overview of the possible versions.

Gears	Gear ratio	Max. conveyor speed	Rated torque	Start-up torque
		m/s	Nm	Nm
Two-stage	9:1	0.9	0.45	1.90
	9:1, reduced	0.7	0.70	2.60
	21:1	0.4	0.84	3.00
Three-stage	30:1	0.3	1.28	4.40
	37:1	0.2	1.64	6.60
	37:1, reduced	0.1	2.50	6.40

Gears	Tube	Shaft	Min. roller length
			mm
Two-stage	Grooves	Female thread M8	246
	Without grooves	Female thread M8	203
Three-stage	Grooves	Female thread M8	261
	Without grooves	Female thread M8	218

<b>Tube material</b>	Steel, stainless steel
<b>Shaft material</b>	Steel, stainless steel
<b>Motor shaft</b>	M8 female thread
<b>Tube sleeve</b>	PVC, 2 mm / PVC, 5 mm
<b>Length of motor cable</b>	5 m



Gear stage versions

Counter bearing and min. roller length versions

Further versions

Reference number



# ROLLERDRIVE BT100 IP66

Sealed RollerDrive with a simple control for operation in wet areas

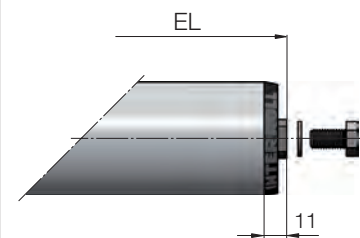
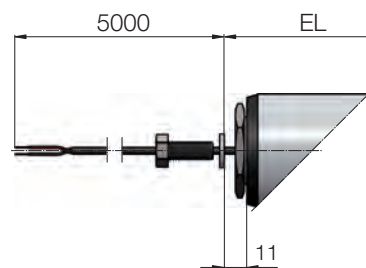


RollerDrives  
BT100 IP66

## Dimensions and Connections

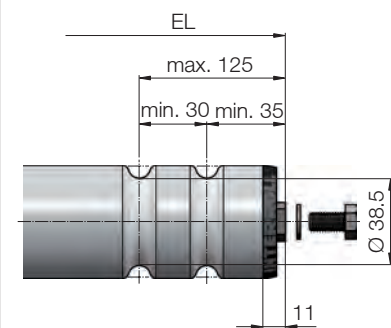
The dimensions depend on the shaft and counter bearing selected. The reference length/ordering length RL does not have any reference edges on the conveyor roller and can therefore not be shown. The installation (EL) corresponds to the clearance between the side profiles. All dimensions in mm.

Motor shaft	Counter bearing
Female thread M8	Female thread M8
	Straight



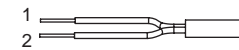
$$RL = EL - 14$$

Grooves



$$RL = EL - 14$$

### Motor cable assignment:

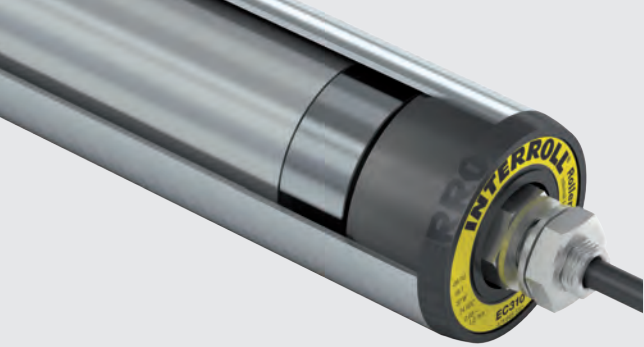


Pin	Colour	Line
1	White	24 V DC
2	Brown	Earth

Motor cable

Dimensions





# ROLLERDRIVE EC310

*RollerDrive with a long service life for a wide range of applications*



RollerDrives  
EC310

## Product Description

- Internal commutation electronics (brushless motor)
- 9 gear stages
- Constant conveyor speed
- Energy recovery in braking (see also p 197)
- Electronic holding brake
- Motor cable with 5-pole snap-in plug

## Technical Data

General technical data	
Mechanical power	32 W
Noise level	55 dB(A)
Min. lifetime	20,000 h
Max. load capacity with a roller length of from 300 to 1,000 mm	1,100 N
Max. load capacity with a roller length of from 1,010 to 1,500 mm	490 N
Electrical data	
Rated voltage	24 V DC
Voltage range	18 to 28 V DC
Idle current	0.4 A
Rated current	2.0 A
Max. start-up current	5.0 A
System efficiency	70 %
Permissible voltage undulation	< 5 %, recommended: < 1 %
Protection rate	IP54
Dimensions	
Tube diameter	50 mm
Wall thickness	1.5 mm
Max. roller length	1,500 mm
Ambient conditions	
Ambient temperature in operation	0 to +40 °C
Ambient temperature during transport and storage	-30 to +75 °C
Max. air humidity	90 %, non-condensing

## Product Selection

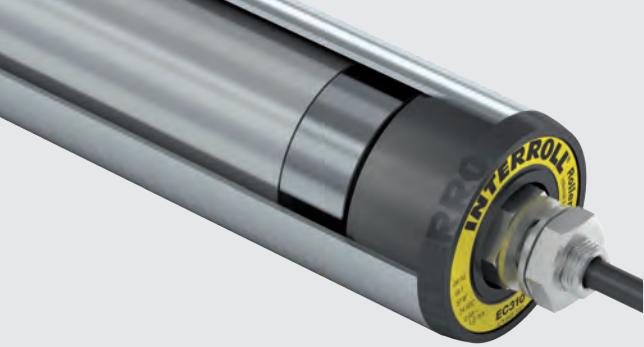
The following tables provide an overview of the possible versions.

Gear ratio	Max. conveyor speed	Rated torque	Start-up torque	Zero motion hold
	m/s	Nm	Nm	Nm
4:1	3.93	0.20	0.49	0.16
9:1	1.75	0.45	1.10	0.36
12:1	1.31	0.61	1.46	0.48
16:1	0.98	0.81	1.95	0.64
24:1	0.65	1.21	2.92	0.96
36:1	0.44	1.82	4.38	1.44
48:1	0.33	2.42	5.85	1.92
64:1	0.25	3.23	7.80	2.56
96:1	0.16	4.84	11.69	3.84

Tube	Shaft	Gear ratio	Min. roller length
			mm
Grooves	11 mm hex spring-loaded shaft	4:1	322
		9:1	333
		12:1 / 16:1 / 24:1	329
		36:1 / 48:1 / 64:1 / 96:1	340
	Female thread M8	4:1	302
		9:1	313
		12:1 / 16:1 / 24:1	309
		36:1 / 48:1 / 64:1 / 96:1	320
Without grooves	11 mm hex spring-loaded shaft	4:1	306
		9:1	317
		12:1 / 16:1 / 24:1	313
		36:1 / 48:1 / 64:1 / 96:1	324
	Female thread M8	4:1	264
		9:1	275
		12:1 / 16:1 / 24:1	271
		36:1 / 48:1 / 64:1 / 96:1	282
PolyVee head Round belt head	11 mm hex spring-loaded shaft	4:1	299
		9:1	310
		12:1 / 16:1 / 24:1	306
		36:1 / 48:1 / 64:1 / 96:1	317
	Female thread M8	4:1	289
		9:1	300
		12:1 / 16:1 / 24:1	296
		36:1 / 48:1 / 64:1 / 96:1	307
Toothed belt head Chain head	Female thread M8	4:1	275
		9:1	286
		12:1 / 16:1 / 24:1	282
		36:1 / 48:1 / 64:1 / 96:1	293

Gear stage  
versions

Counter bearing  
and min. roller  
length versions



# ROLLERDRIVE EC310

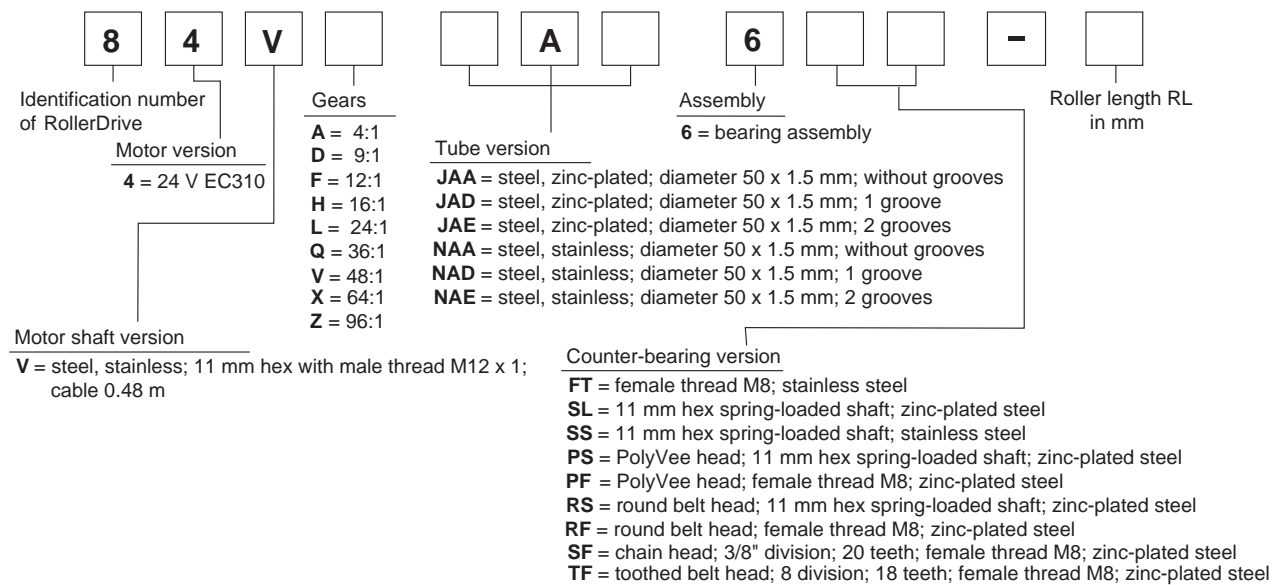
RollerDrive with a long service life for a wide range of applications

## Dimensions

### Further versions

<b>Tube material</b>	Steel, stainless steel / Steel, zinc-plated
<b>Shaft material</b>	Steel, stainless steel / Steel, zinc-plated
<b>Motor shaft</b>	11 mm with hex and thread M12 x 1
<b>Tube sleeve</b>	PVC, 2 mm / PVC, 5 mm
<b>Length of motor cable</b>	0.48 m

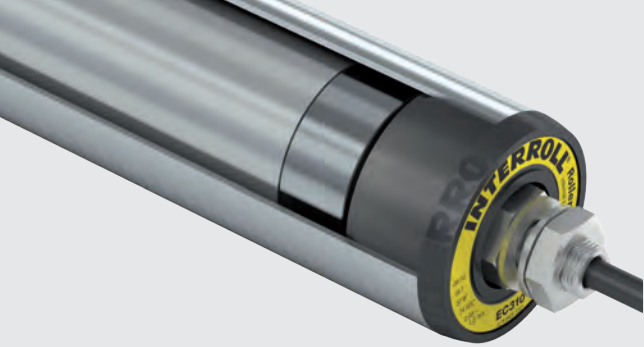
### Reference number



## Dimensions and Connections

The dimensions depend on the shaft and counter bearing selected. The reference length/ordering length RL does not have any reference edges on the conveyor roller and can therefore not be shown. The installation (EL) corresponds to the clearance between the side profiles. All dimensions in mm.

Motor shaft	Counter bearing	
	11 mm hex spring-loaded shaft	Female thread M8
11 mm hex M12 x 1	Straight	
	<p>RL = EL - 10</p>	<p>RL = EL - 10</p>
	Round belt head	
	<p>RL = EL - 36</p>	<p>RL = EL - 36</p>
	PolyVee Heads	
	<p>RL = EL - 36</p>	<p>RL = EL - 36</p>



# ROLLERDRIVE EC310

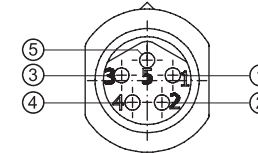
*RollerDrive with a long service life for a wide range of applications*



RollerDrives  
EC310

Motor shaft	Counter bearing	Female thread M8
	11 mm hex spring-loaded shaft	Toothed belt head
		<p>RL = EL - 40</p>
	Grooves	
	<p>RL = EL - 10</p>	<p>RL = EL - 10</p>

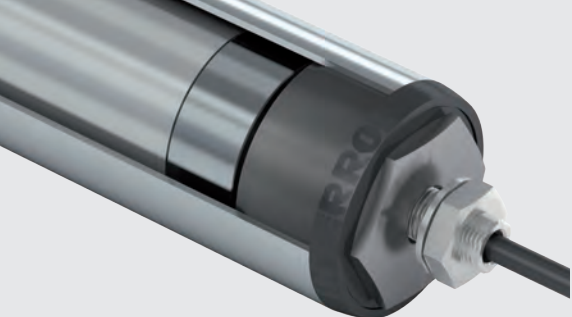
### Motor plug assignment:



Pin	Colour	Line
1	Brown	+24 V DC
2	White	Direction of rotation
3	Blue	Earth
4	Black	Fault output
5	Grey	Analogue speed input

### Motor plug





# ROLLERDRIVE EC310 IP66

Sealed RollerDrive with a long service life for operation in wet areas



RollerDrives  
EC310 IP66

## Product Description

- Internal commutation electronics (brushless motor)
- 9 gear stages
- Constant conveyor speed
- Energy recovery in braking (see also p 197)
- Electronic holding brake
- Motor cable with 5-pole snap-in plug

## Technical Data

General technical data	
Mechanical power	32 W
Noise level	55 dB(A)
Min. lifetime	20,000 h
Max. load capacity with a roller length of from 300 to 1,000 mm	1,100 N
Max. load capacity with a roller length of from 1,010 to 1,500 mm	490 N
Electrical data	
Rated voltage	24 V DC
Voltage range	18 to 28 V DC
Idle current	0.4 A
Rated current	2.0 A
Max. start-up current	5.0 A
System efficiency	70 %
Permissible voltage undulation	< 5 %, recommended: < 1 %
Protection rate	IP66
Dimensions	
Tube diameter	50 mm
Wall thickness	1.5 mm
Max. roller length	1,500 mm
Ambient conditions	
Ambient temperature in operation	0 to +40 °C
Ambient temperature during transport and storage	-30 to +75 °C

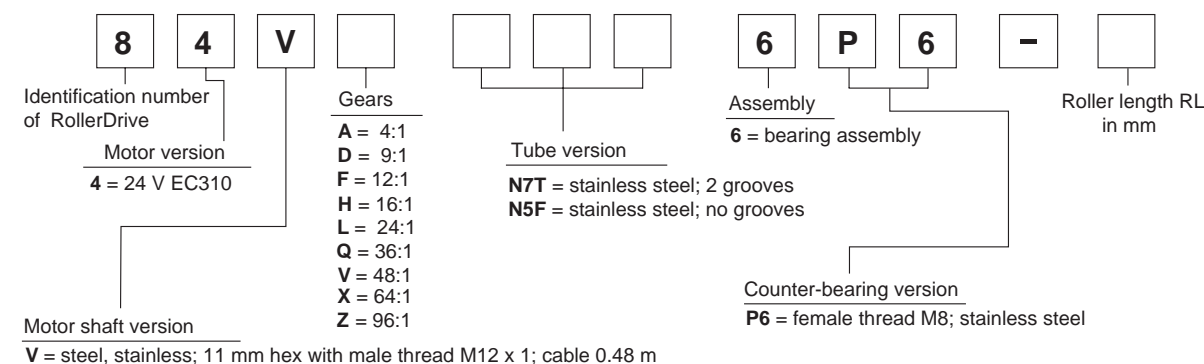
## Product Selection

The following tables provide an overview of the possible versions.

Gear ratio	Max. conveyor speed	Rated torque	Start-up torque	Zero motion hold
	m/s	Nm	Nm	Nm
4:1	3.93	0.20	0.49	0.16
9:1	1.75	0.45	1.10	0.36
12:1	1.31	0.61	1.46	0.48
16:1	0.98	0.81	1.95	0.64
24:1	0.65	1.21	2.92	0.96
36:1	0.44	1.82	4.38	1.44
48:1	0.33	2.42	5.85	1.92
64:1	0.25	3.23	7.80	2.56
96:1	0.16	4.84	11.69	3.84

Tube	Shaft	Gear ratio	Min. roller length
			mm
Grooves	Female thread M8	4:1	302
		9:1	313
		12:1 / 16:1 / 24:1	309
		36:1 / 48:1 / 64:1 / 96:1	320
Without grooves	Female thread M8	4:1	261
		9:1	272
		12:1 / 16:1 / 24:1	268
		36:1 / 48:1 / 64:1 / 96:1	279

<b>Tube material</b>	Steel, stainless steel
<b>Shaft material</b>	Steel, stainless steel
<b>Motor shaft</b>	11 mm with hex and thread M12 x 1
<b>Tube sleeve</b>	PVC, 2 mm / PVC, 5 mm
<b>Length of motor cable</b>	0.48 m

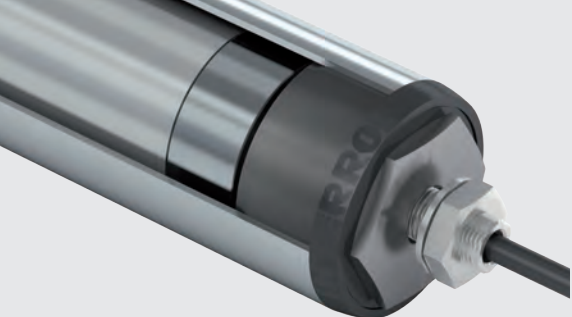


Gear stage versions

Counter bearing and min. roller length versions

Further versions

Reference number



# ROLLERDRIVE EC310 IP66

Sealed RollerDrive with a long service life for operation in wet areas

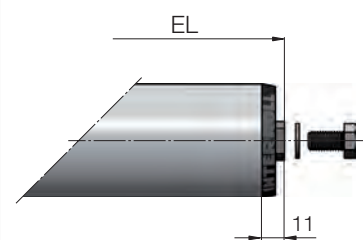
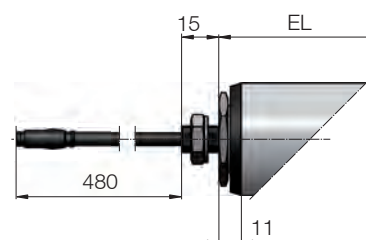


RollerDrives  
EC310 IP66

## Dimensions and Connections

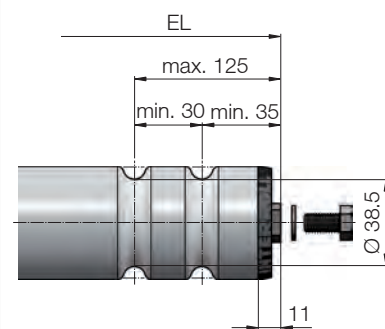
The dimensions depend on the shaft and counter bearing selected. The reference length/ordering length RL does not have any reference edges on the conveyor roller and can therefore not be shown. The installation (EL) corresponds to the clearance between the side profiles. All dimensions in mm.

Motor shaft	Counter bearing
11 mm hex M12 x 1	Female thread M8
	Straight



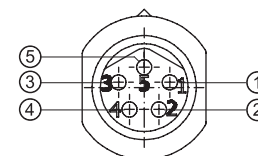
$RL = EL - 13$

Grooves



$RL = EL - 13$

Motor plug assignment:



Pin	Colour	Line
1	Brown	+24 V DC
2	White	Direction of rotation
3	Blue	Earth
4	Black	Fault output
5	Grey	Analogue speed input

Motor plug





## DRIVECONTROLS OVERVIEW

	DriveControl 20	DriveControl 54		ZoneControl	Z-Card BT
<b>Applications</b>	Motor control	Motor control		Multi-zone control	Multi-zone control
<b>Zero pressure accumulation conveyor system</b>				✓	✓
<b>RollerDrive</b>	EC310 IP66 p 98 EC310 p 92	EC310 IP66 p 98 EC310 p 92		EC310 IP66 p 98 EC310 p 92	BT100 p 84
<b>Protection rate</b>	IP20	IP54		IP20	IP54
	<b>see page 104</b>	<b>see page 106</b>		<b>see page 108</b>	<b>see page 112</b>





# DRIVECONTROL 20

The all-purpose interface for the RollerDrive EC310



DriveControl  
DriveControl 20

## Product Description

The DriveControl 20 is the all-purpose interface for the RollerDrive EC310. 15 different speeds, as well as the direction of rotation, can be set using DIP switches. Optically decoupled digital I/O's act as the interface to a higher-order controller. This enables, for instance, the direction of rotation of the 7 different speeds to be set from a PLC. The braking energy of the RollerDrive is fed back into the 24 V grid. The voltage fed back from the RollerDrive EC310 is limited at 30 V by means of the integral brake chopper (voltage-dependently switched load resistance).

- Speed adjustment (15 speeds internally, 7 speeds externally via I/O)
- Choice of rotational direction
- Start signal input (visually decoupled)
- Rotational direction signal input (visually decoupled)
- Fault signal output (visually decoupled)
- LED status display
- NPN or PNP switching logic

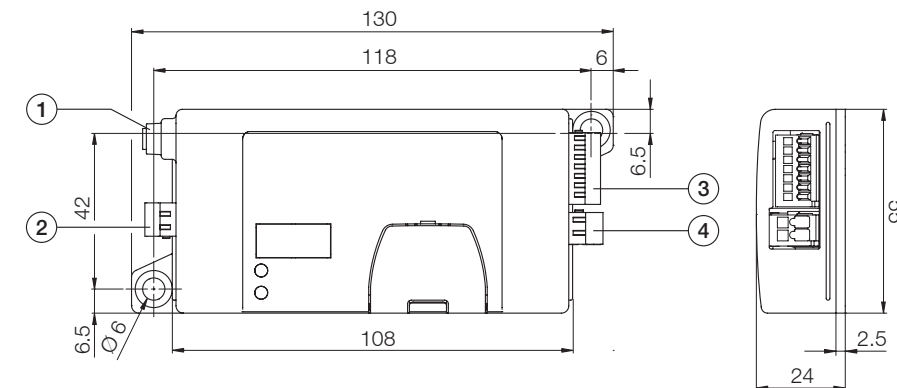
## Technical Data

Electrical data	
Rated voltage	24 V DC
Voltage range	18 to 26 V DC
Permissible voltage undulation	3 %, recommended: < 1 %
Rated current	2.0 A
Max. start-up current	5.0 A
Fuse	present, non-replaceable
Protection rate	IP20
Ambient conditions	
Ambient temperature in operation	0 to +40 °C
Ambient temperature during transport and storage	-20 to +75 °C
Max. temperature change	1 % in 3 h; 2 cycles in compliance with IEC 60068-2-14
Max. air humidity	90 %, non-condensing
Cable cross-sections	
Power Supply	Fine-wired, 1.5 mm <sup>2</sup> (AWG 16)
Inputs / Outputs (I/O)	Fine-wired, 0.08 to 0.5 mm <sup>2</sup> (AWG 28 to 20) Fine-wired, 1.5 mm <sup>2</sup> (AWG 16)

The effective current in the application depends on the conveyor weight, conveyor speed and number of cycles.

Reference number: 89RA

## Dimensions and Connections



Pos.	Description	Terminal	Signal
Pos. 1	RollerDrive Connection	1	+24 V DC
		2	Direction of rotation
		3	Earth
		4	Fault input
		5	Analogue speed output
Pos. 2	Voltage supply input	1	+24 V DC
		2	Earth
Pos. 3	Inputs/Outputs	1	Common signal mass
		2	24 V input
		3	Fault output
		4	Direction of rotation
		5	Speed C
		6	Speed B
		7	Speed A
Pos. 4	Voltage supply output	1	Earth
		2	+24 V DC



# DRIVECONTROL 54

The all-purpose interface for the RollerDrive EC310



DriveControl  
DriveControl 54

## Product Description

The DriveControl 54 is the all-purpose interface for the RollerDrive EC310. 15 different speeds, as well as the direction of rotation, can be set using DIP switches. Optically decoupled digital I/O's act as the interface to a higher-order controller. This enables, for instance, the direction of rotation of the 7 different speeds to be set from a PLC. The braking energy of the RollerDrive is fed back into the 24 V grid. The voltage fed back from the RollerDrive EC310 is limited at 30 V by means of the integral brake chopper (voltage-dependently switched load resistance).

- Speed adjustment (15 speeds internally, 7 speeds externally via I/O)
- Choice of rotational direction
- Start signal input (visually decoupled)
- Rotational direction signal input (visually decoupled)
- Fault signal output (visually decoupled)
- LED status display
- NPN or PNP switching logic
- Sealed cable openings

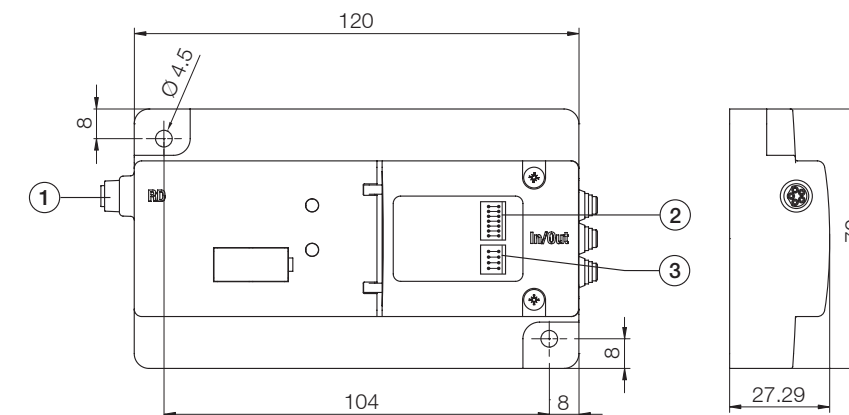
## Technical Data

Electrical data	
Rated voltage	24 V DC
Voltage range	18 to 26 V DC
Permissible voltage undulation	3 %, recommended: < 1 %
Rated current	2.0 A
Max. start-up current	5.0 A
Fuse	present, non-replaceable
Protection rate	IP54
Ambient conditions	
Ambient temperature in operation	-28 to +40 °C
Ambient temperature during transport and storage	-30 to +80 °C
Max. temperature change	1 % in 3 h; 2 cycles in compliance with IEC 60068-2-14
Max. air humidity	90 %, non-condensing
Cable cross-sections	
Power Supply	Fine-wired, 1.5 mm <sup>2</sup> (AWG 16)
Inputs / Outputs (I/O)	Fine-wired, 0.08 to 0.5 mm <sup>2</sup> (AWG 28 to 20) Fine-wired, 1.5 mm <sup>2</sup> (AWG 16)

The effective current in the application depends on the conveyor weight, conveyor speed and number of cycles.

Reference number: 89RB

## Dimensions and Connections



Pos.	Description	Terminal	Signal
Pos. 1	RollerDrive Connection	1	+24 V DC
		2	Direction of rotation
		3	Earth
		4	Fault input
		5	Analogue speed output
Pos. 2	Inputs/Outputs	1	Common signal mass
		2	24 V input
		3	Fault output
		4	Direction of rotation
		5	Speed C
		6	Speed B
		7	Speed A
Pos. 3	Power Supply	1	Earth
		2	+24 V DC
		3	Earth
		4	+24 V DC



# ZONECONTROL

*The accumulation conveyor logic for RollerDrive EC310*

## Product Description

The ZoneControl is the single zone control for the RollerDrive EC310. The ZoneControl can be used to create stand-alone, zero pressure accumulation conveyors which require no higher-order control. Additional functions and communication to upstream and downstream conveyors can be provided via digital inputs and outputs (I/O's). No DriveControls are needed to set up a conveyor as the ZoneControls include their functions.

The I/O's and voltage supply is provided by a simple switching wire.

Communications cable: Conventional Cat-5 cable (IT ethernet cable).

The configuration of the ZoneControl can simply be handled by DIP switches. Two versions of conveyor logic are available: individual or block pull-off.

- Logic for zero pressure accumulation conveying (incl. initialisation)
- Communication with upstream and downstream zones via peer-to-peer connection
- Speed adjustment
  - DIP switch (per accumulation zone)
  - External analogue signal (for the entire conveyor system)
- Adjustment of the RollerDrive's direction of rotation
  - DIP switch
  - External digital signal
- LED status indicator
- Zone sensor connection
- Start sensor connection
- NPN or PNP switching logic
- Switching a second RollerDrive, status reading, starting and stopping of individual zones via I/O's
- Empty running, error signalling of all connected zones via I/O's
- All signals relate to mass of voltage supply

## Technical Data

<b>Electrical data</b>	
Rated voltage	24 V DC
Voltage range	18 to 26 V DC
Permissible voltage undulation	3 %, recommended: < 1 %
Rated current	2.0 A
Max. start-up current	5.0 A
Fuse	present, non-replaceable
Protection rate	IP20
<b>Ambient conditions</b>	
Ambient temperature in operation	0 to +40 °C
Ambient temperature during transport and storage	-20 to +75 °C
Max. temperature change	1 % in 3 h; 2 cycles in compliance with IEC 60068-2-14
Max. air humidity	90 %, non-condensing
<b>Cable cross-sections</b>	
Power Supply	Fine-wired, 1.5 mm <sup>2</sup> (AWG 16)
Inputs / Outputs (I/O)	Fine-wired, 0.08 to 0.5 mm <sup>2</sup> (AWG 28 to 20) Fine-wired, 1.5 mm <sup>2</sup> (AWG 16)

The effective current in the application depends on the conveyor weight, conveyor speed and number of cycles.

## Reference number: 89RC

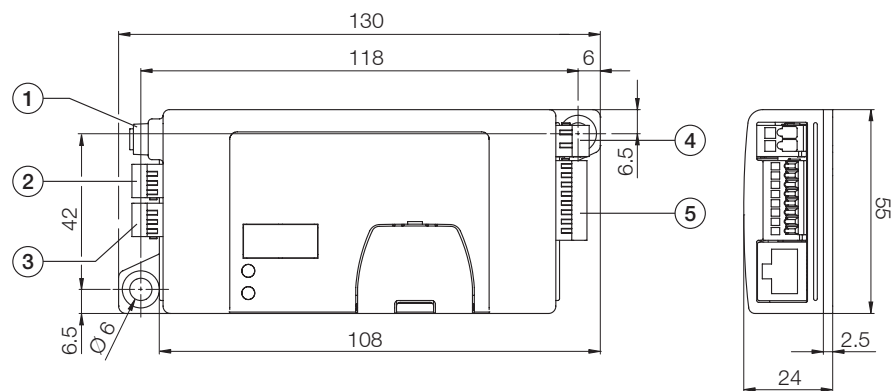




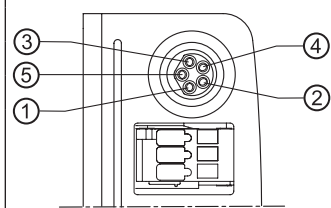
# ZONECONTROL

The accumulation conveyor logic for RollerDrive EC310

## Dimensions and Connections

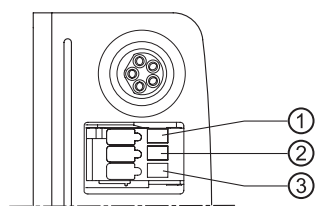


### Pos. 1 RollerDrive Connection



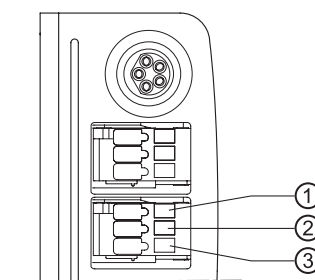
1	+24 V DC
2	Direction of rotation
3	Earth
4	Fault input
5	Analogue speed output

### Pos. 2 Start sensor



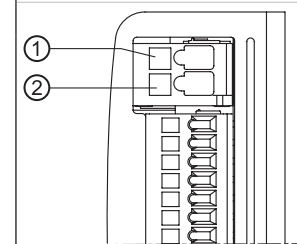
1	+24 V DC
2	Sensor signal input
3	Earth

### Pos. 3 Zone sensor



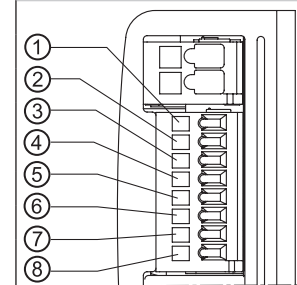
1	+24 V DC
2	Sensor signal input
3	Earth

### Pos. 4 Power



1	+24 V DC
2	Earth

### Pos. 5 Inputs/Outputs



1	Start signal for 2nd RollerDrive in zone
2	Free travel signal
3	Speed (central)
4	Direction of rotation (central)
5	Fault output
6	Zone status
7	Zone start
8	Zone stop

## Construction

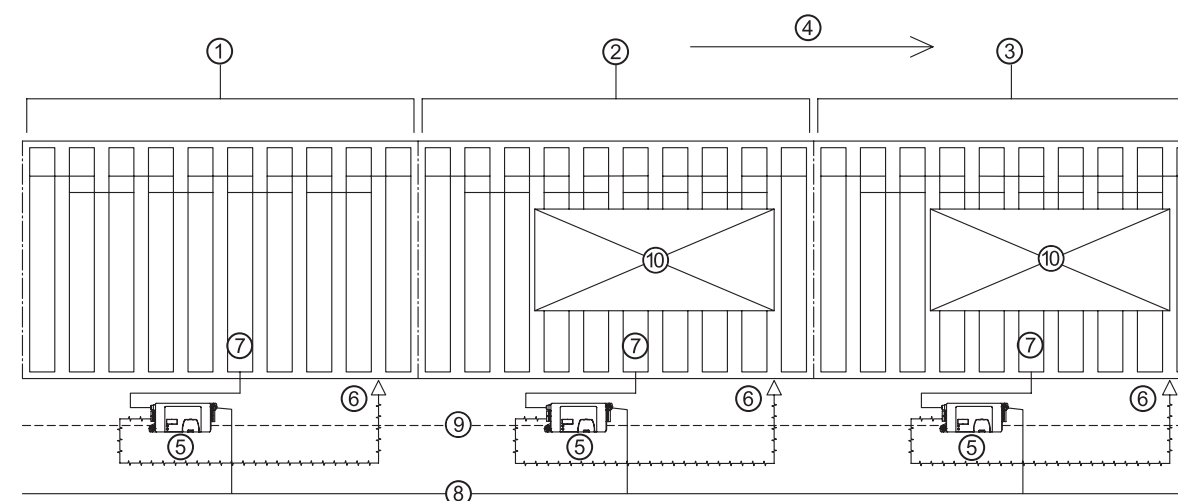
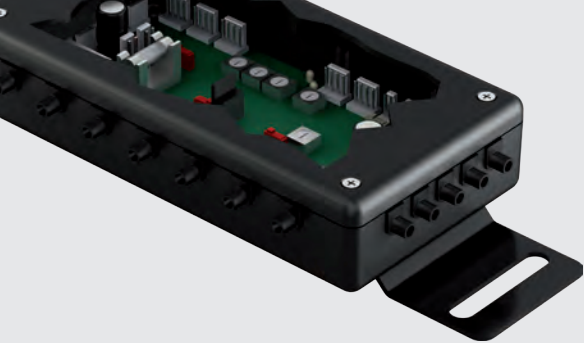


Fig.: Wiring diagram for ZoneControl for 3 conveyor zones

- 1 Zone 1
- 2 Zone 2
- 3 Zone 3
- 4 Conveyor direction
- 5 ZoneControl
- 6 Zone sensor
- 7 RollerDrive
- 8 +24 V DC voltage supply
- 9 Peer-to-peer connection
- 10 Material to be conveyed



# MULTIZONECONTROL Z-CARD BT

The MultizoneControl for RollerDrive BT100



MultizoneControl  
Z-Card BT

## Product Description

The Z-Card is a highly flexible system designed as a four-zone controller. It enables a zero pressure accumulation conveyor system to be set up with RollerDrive BT100 fully compliant with IP54 protection rate.

The Z-Card does not include cables. These have to be assembled from the accessories (refer to Cables for Z-Card p 166).

Special RollerDrive BT with various cable lengths and plugs are available for use with Z-Card BT. The design is especially suitable for system components with a low throughput rate.

The Z-Card is very simple to configure on different conveyor types due to the use of a rotary coding switch and slide switch. Various versions of conveyor are available:

- Block pull-off or individual pull-off
- Individual pull-off with external signal integration via I/Os
- Motor starter without logic
- Accumulation conveyor function for up to 4 RollerDrives BT
- Speed adjustment by means of a rotary coding switch
- Visually decoupled I/O acts as an interface to external controls
- Fault indication
- NPN or PNP switching logic

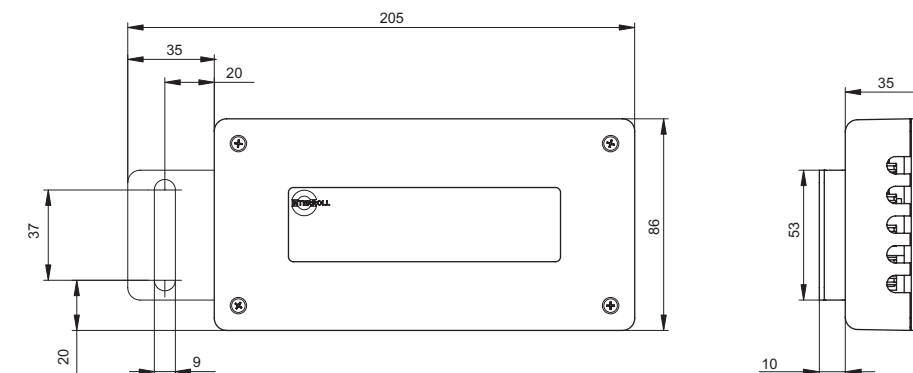
## Technical Data

Electrical data	
Rated voltage	24 V DC
Voltage range	20 to 28 V DC
Fuse	8 A, slow blow
Protection rate	IP54
Ambient conditions	
Ambient temperature in operation	0 to +50 °C
Ambient temperature during transport and storage	-20 to +75 °C
Max. temperature change	1 % in 3 h; 2 cycles in compliance with IEC 60068-2-14
Max. air humidity	90 %, non-condensing

The effective current in the application depends on the conveyor weight, conveyor speed and number of cycles.

Reference number: **89Z1**

## Dimensions



## Construction

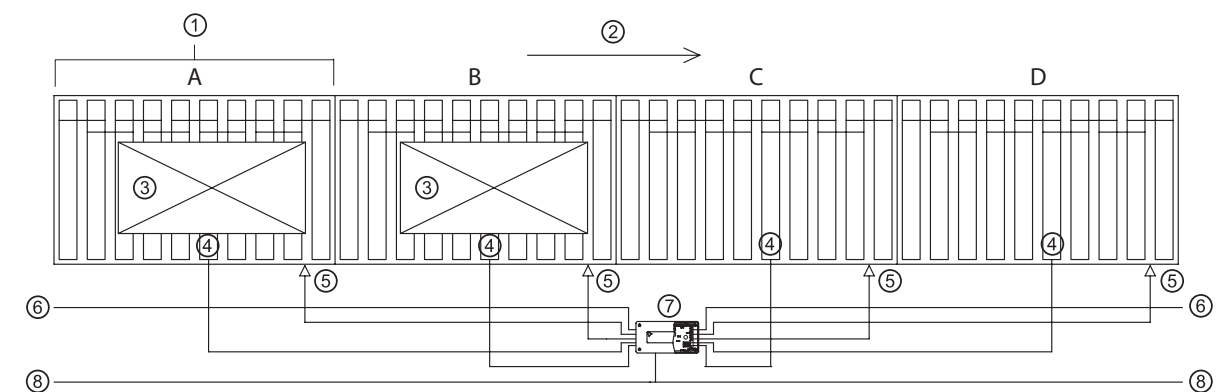


Fig.: Typical Z-Card conveyor configuration

- 1 Zone
- 2 Conveyor direction
- 3 Material to be conveyed
- 4 RollerDrive
- 5 Sensor
- 6 Easy-bus communication cabling
- 7 Z-Card
- 8 +24 V DC / earth





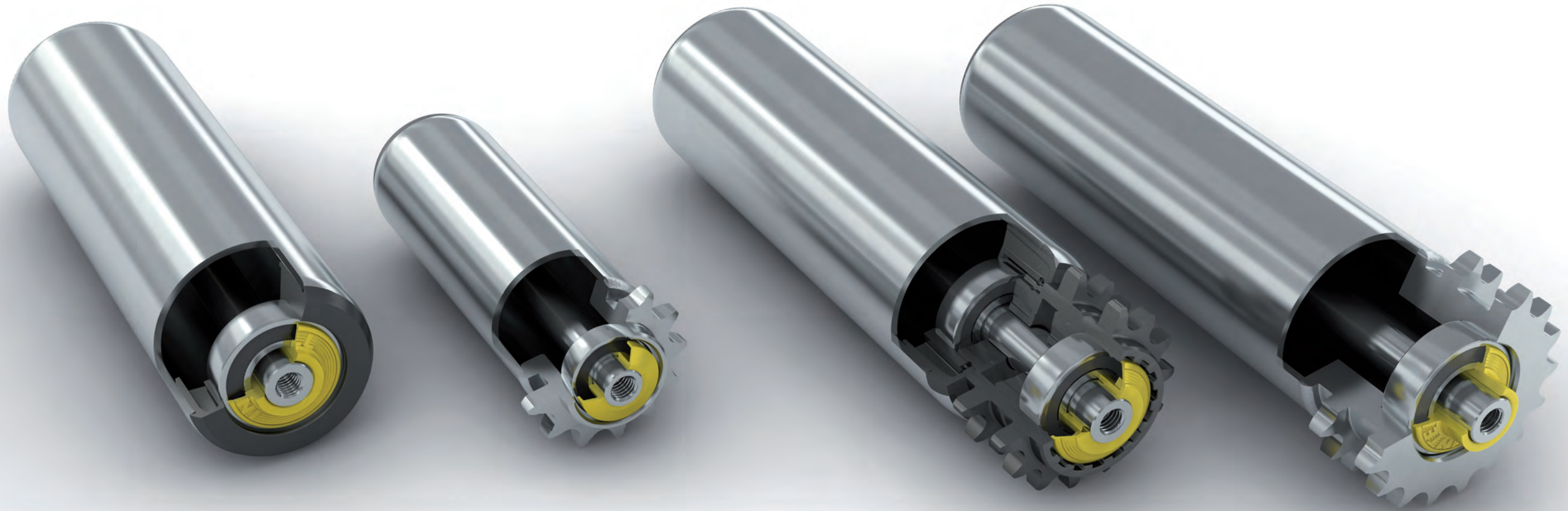
## SOLUTIONS FOR HEAVY MATERIALS TO BE TRANSPORTED

With this product range, you can set up roller conveyors for heavy materials to be transported, for example for pallets, crates or heavy steel containers from the automotive industry weighing up to 1,500 kg and at conveyor speeds of up to 0.5 m/s. The maximum load capacity of these products is 5,000 N per conveyor roller.

### Products for heavy materials to be transported

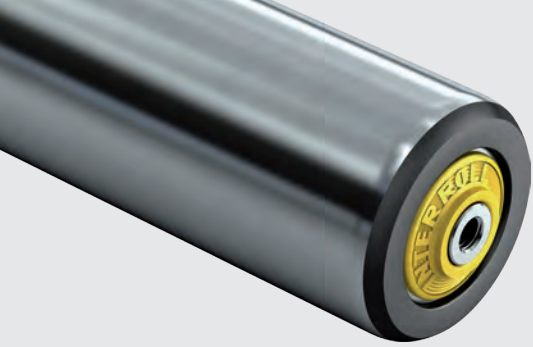
- ➔ **Conveyor Rollers**      The basis of every roller conveyor      p 116





## OVERVIEW OF CONVEYOR ROLLERS

	Heavy-duty Conveyor Roller	Heavy-duty Conveyor Roller		Heavy-duty Conveyor Roller	Heavy-duty Conveyor Roller
	Series 1450	Series 3560		Series 3600	Series 3950
<b>Max. load capacity</b>	5,000 N	3,000 N		3,500 N	5,000 N
<b>Applications</b>	Gravity	Fixed drive		Fixed drive	Fixed drive
<b>Tube diameter</b>	80 / 89 mm	60 mm		80 / 89 mm	80 / 89 mm
<b>Drive concepts</b>					
Gravity	✓				
Chain		✓		✓	✓
Toothed belt				✓	
<b>Material of drive element</b>	–	Steel		Technopolymers	Steel
	<i>see page 118</i>	<i>see page 122</i>		<i>see page 126</i>	<i>see page 130</i>



# HEAVY-DUTY CONVEYOR ROLLER SERIES 1450



Conveyor Rollers  
Gravity  
Series 1450

*Universal and stable gravity conveyor roller for heavy loads*

## Product Description

- Universal conveyor roller for heavy loads
  - Load capacity up to 5,000 N
- Silent conveyor roller
  - Precision ball bearing, bearing housing made of polyamide and seal of polypropylene
- Protects the ball bearing from coarse dirt and water
  - Additional sealing lip in front of sealed precision ball bearing
- Axial loads are possible
  - Axial forces diverted by ball bearing
- Gentle lateral pushing of the materials to be conveyed
  - Rounded tube ends

- In-house conveyor technology
- Gravity conveyor track for pallets, steel containers etc.

- Sealed precision ball bearing (6205 2RZ)
- Form-fit axial fixing of bearing housing, ball bearing and seal
- Steel bearing housing for use in refrigerated applications

- Platform 1450

## Technical Data

General technical data	
Max. load capacity	5,000 N
Max. conveyor speed	0.80 m/s
Temperature range	-5 to +40 °C
Temperature range for steel bearing housing	-28 to +80 °C
Materials	
Bearing housing	Polyamide
Seal	Polyamide
Ball	6205 2RZ

The dynamic load and the surface load are the assumptions for the load capacity.

### Female threaded shaft version

Tube material	Ball bearing	Ø Tube mm	Ø Shaft mm	Max. load capacity in N with an installation length of mm						
				200	1,000	1,200	1,400	1,600	1,800	2,000
Steel, zinc- plated	6205 2RZ	80 x 2	20	5,000	5,000	4,400	3,200	2,440	1,920	1,550
		80 x 3	20	5,000	5,000	5,000	4,630	3,520	2,770	2,240
		89 x 3	20	5,000	5,000	5,000	5,000	4,910	3,860	3,120

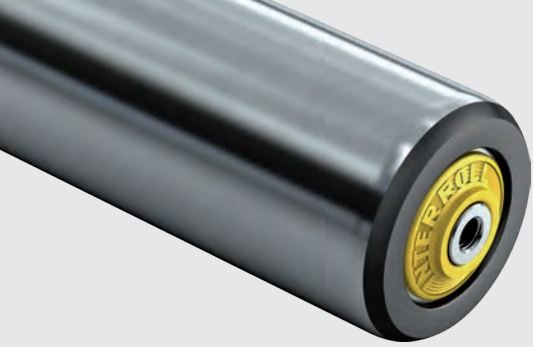
**Load capacity**

**Customer benefits**

**Applications**

**Properties**

**Associated platform**



# HEAVY-DUTY CONVEYOR ROLLER SERIES 1450



Conveyor Rollers  
**Gravity**  
Series 1450

*Universal and stable gravity conveyor roller for heavy loads*

## Product Selection

### Female threaded shaft version

Tube		Ball bearing	Shaft	
Material	Ø mm		Reference number	
Steel, zinc-plated	80 x 2.0	6205 2RZ	Ø 20 mm (M10 x 20)	Ø 20 mm (M12 x 20)
	80 x 3.0		1.450.JAC.S12	1.450.JAC.S03
	89 x 3.0		1.453.J8A.S12	1.453.J8A.S03
			1.455.J8B.S12	1.455.J8B.S03

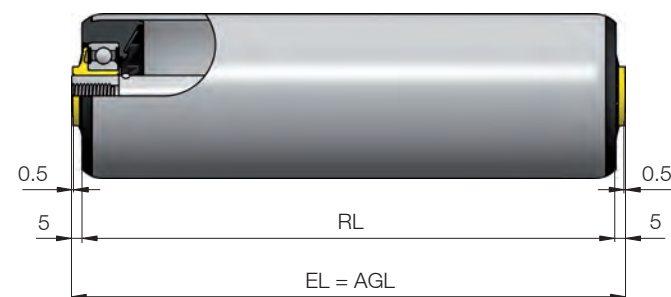
Please state in addition to the reference number the reference length RL and optionally the dimensions for the tube sleeve.

### Example of a reference number: 1.453.J8A.S03 - 490

This reference number is for a Conveyor Roller Series 1450, Ø tube 80 x 3 mm, Ø shaft 20 mm, female threaded shaft and reference length 490 mm. The reference length RL can be found in the table of dimensions for female threaded shafts:  $RL = EL - 10$ . The axial play of 0.5 mm per side has already been taken into account. The nominal clearance of your conveyor is 500 mm, which also corresponds to the installation length EL, i. e. the reference length is:  $500 - 10 = 490$  mm.

RL	Reference length/Ordering length
EL	Installation length
AGL	Total length of shaft

### Dimensions for female threaded shaft



Ø Shaft mm	Thread mm	Ø Tube mm	RL mm
20	M10/12 x 20	80/89	EL - 10

## Options

We can offer you the following options in addition to our standard products:

- Flanges
- Tube sleeves for Ø 80 mm
  - Flexible PVC sleeve
  - Rubber coating
- Steel bearing housing for refrigerated applications of -28 °C up to +80 °C

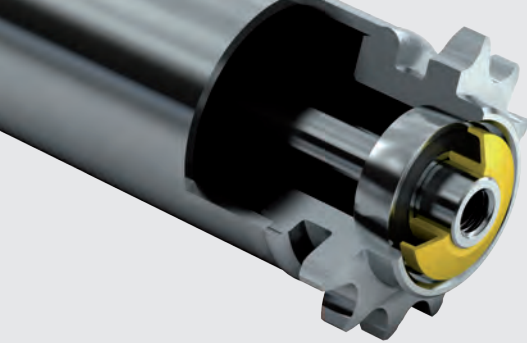
Standards

Ordering information

Ordering example

Dimensions





# HEAVY-DUTY CONVEYOR ROLLER SERIES 3560

*Stable fixed drive for small roller pitches*



Conveyor Rollers  
Fixed drive  
Series 3560

## Product Description

- Stable, fixed drive conveyor roller
    - Welded steel sprockets, steel tube 60 x 3 mm
  - Conveyor reinforced by captive shaft
    - Female threaded shaft Ø 17 mm
  - Small pitches possible
    - Ø 60 mm and tangential drive
  - Gentle lateral pushing of the materials to be conveyed
    - Rounded tube ends
- 
- In-house driven conveyance of heavy material to be conveyed for which small roller pitches are required
  - Pallets, steel containers without continuous runners
- 
- Sealed precision ball bearing (6003 2RZ)
  - Steel sprockets, welded to tube
  - Zinc-plated as a component after welding
- 
- Platform 1700

## Technical Data

### General technical data

Max. load capacity	3,000 N
Max. conveyor speed	1.2 m/s
Temperature range	-5 to +40 °C

### Materials

Bearing housing	Polyamide
Drive head	Steel
Seal	Polyamide
Ball bearing	Steel 6003 2RZ

The load capacity depends on the length of the roller.

### Female threaded shaft version

Tube material	Ø Tube mm	Ø Shaft mm	Max. load capacity in N with an installation length of mm					
			200	900	1,000	1,100	1,300	1,500
Steel, zinc-plated	60 x 3	17	3,000	3,000	2,910	2,160	1,290	830

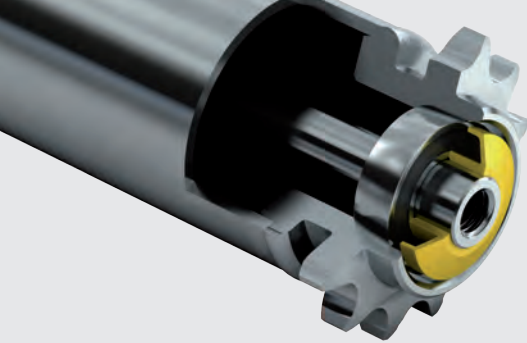
**Load capacity**

**Customer benefits**

**Applications**

**Properties**

**Associated platform**



# HEAVY-DUTY CONVEYOR ROLLER SERIES 3560



Conveyor Rollers  
Fixed drive  
Series 3560

*Stable fixed drive for small roller pitches*

## Product Selection

### Female threaded shaft version

Tube		Torque transmission	Ball bearing	Shaft
Material	Ø mm			Reference number
Steel, zinc-plated	60 x 3.0	Steel sprocket 5/8", Z = 13	6003 2RZ	Ø 17 mm (M12 x 20)
		2 steel sprockets 5/8", Z = 13		3.56W.JDB.RAL

Please state in addition to the reference number the reference length RL and optionally the dimensions for the tube sleeve.

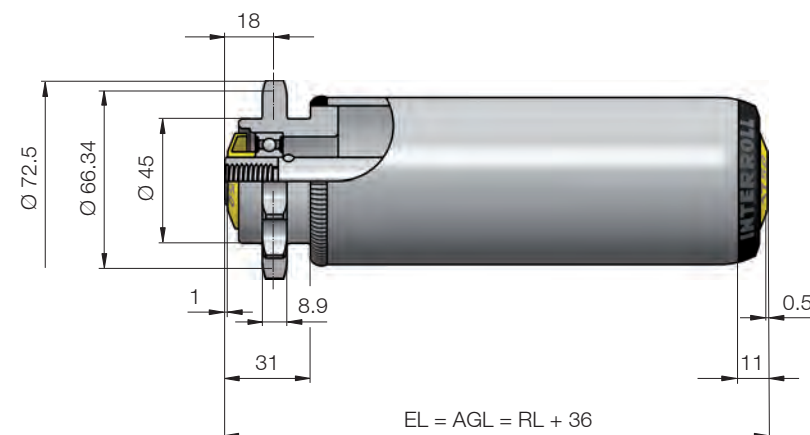
### Example of a reference number: 3.56A.JDC.RAJ - 464

This reference number is for a Conveyor Roller Series 3560, Ø tube 60 mm, steel sprocket 5/8", Z = 13, Ø shaft 17 mm, female threaded shaft and reference length 464 mm. The reference length RL can be found on the dimensioned drawing:  $RL = EL - 36$ . The axial play of the sides of 1 mm and 0.5 mm has already been taken into account. The nominal clearance of your conveyor is 500 mm, which also corresponds to the installation length EL, i. e. the reference length is:  $500 - 36 = 464$  mm.

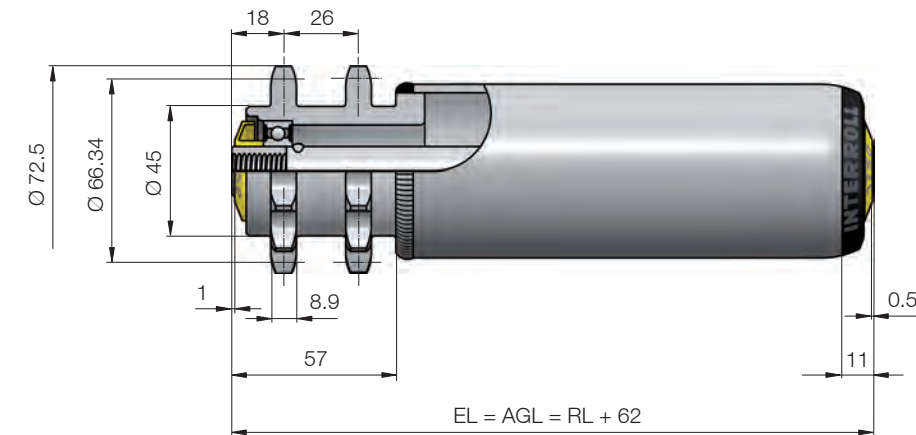
RL	Reference length/Ordering length*
EL	Installation length
AGL	Total length of shaft

\*The reference length/ordering length RL does not have any reference edges on the conveyor roller and can therefore not be shown.

### Dimensions for steel sprocket



### Dimensions for 2 steel sprockets



## Options

We can offer you the following options in addition to our standard products:

- Flanges
- Tube sleeves
  - Flexible PVC sleeve
  - Rubber coating

Standards

Ordering information

Ordering example

Dimensions



# HEAVY-DUTY CONVEYOR ROLLER SERIES 3600

*Sturdy, reliable, cost-effective standard solution*

## Product Description

- Exceptionally low-noise operation
  - Drive heads made of fibreglass-reinforced, viscoplastic polyamide
- Drive elements secured against twisting and axial movement against the tube
  - Form-fit join with notches at the tube ends
- Comprehensive drive versions
  - Roller-to-roller and tangential chain drive, toothed belt drive
- Gentle lateral pushing of the materials to be conveyed
  - Rounded tube ends

- In-house driven conveyance of heavy materials to be conveyed
- Pallets, steel containers etc.

- Sealed precision ball bearing (6204 2RZ, 6205 2RZ)

- Platform 1450

## Technical Data

General technical data	
Max. load capacity	3,500 N
Max. conveyor speed	0.50 m/s
Temperature range	0 to +40 °C
Materials	
Bearing housing	Polyamide
Drive head	Polyamide
Seal	Polyamide
Ball bearing	Steel 6204 2RZ, 6205 2RZ

The dynamic load and the surface load are the assumptions for the load capacity.

### Female threaded shaft version

Ø Tube mm	Torque transmission	Max. load capacity in N with an installation length of mm							
		200	400	600	800	1,000	1,200	1,400	1,600
80 x 3	Polymer sprocket	3,500	3,500	3,500	3,500	3,500	3,500	3,500	3,500
89 x 3		3,500	3,500	3,150	3,000	2,930	2,880	2,850	2,820
80 x 3	2 polymer sprockets or toothed belt head	3,500	3,500	3,150	3,000	2,930	2,880	2,850	2,820
89 x 3		3,500	3,500	3,150	3,000	2,930	2,880	2,850	2,820

## Product Selection

### Female threaded shaft version

Tube			Ball bearing	Shaft	
Material	Ø mm	Torque transmission		Reference number	
				Ø 20 mm (M12 x 20) without flange	Ø 20 mm (M12 x 20) with flange
Steel, zinc-plated	80 x 3.0	Toothed belt head	6205 2RZ 6204 2RZ	3.6AZ.J8E.S38	3.6AZ.J8D.S38
		Polymer sprocket 5/8", Z = 18	6205 2RZ 6204 2RZ	3.6AJ.J8E.S42	3.6AJ.J8D.S42
		Polymer sprocket 5/8", Z = 15	6205 2RZ 6204 2RZ	3.6AC.J8E.S42	3.6AC.J8D.S42
		2 Polymer sprockets 5/8", Z = 18	6205 2RZ 6204 2RZ	3.6AK.J8E.S38	3.6AK.J8D.S38
		2 polymer sprockets 5/8", Z = 15	6205 2RZ 6204 2RZ	3.6AD.J8E.S38	3.6AD.J8D.S38
	89 x 3.0	Toothed belt head	6205 2RZ 6204 2RZ	3.6AX.J90.S38	3.6AX.J8C.S38
		Polymer sprocket 5/8", Z = 18	6205 2RZ 6204 2RZ	3.6AL.J90.S42	3.6AL.J8C.S42
		Polymer sprocket 5/8", Z = 15	6205 2RZ 6204 2RZ	3.6AE.J90.S42	3.6AE.J8C.S42
		2 polymer sprockets 5/8", Z = 18	6205 2RZ 6204 2RZ	3.6AM.J90.S38	3.6AM.J8C.S38
		2 polymer sprockets 5/8", Z = 15	6205 2RZ 6204 2RZ	3.6AF.J90.S38	3.6AF.J8C.S38

On request, we can offer you further options in addition to our standard products (cf. the following double page).

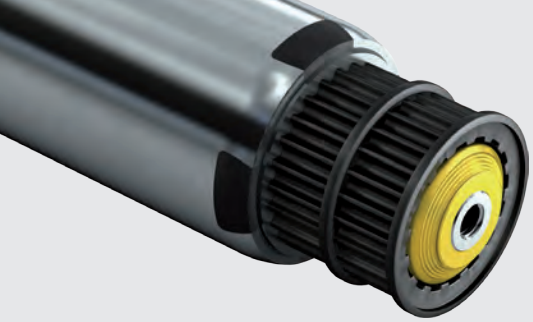
### Example for a reference number: 3.6AC.J8E.S42 - 464

This reference number is for a Conveyor Roller Series 3600, steel, zinc-plated, Ø tube 80 mm, polymer sprocket 5/8", Z = 15, Ø shaft 20 mm, female threaded shaft without flange and reference length 464 mm. The reference length RL can be found on the dimensioned drawing: RL = EL - 36. The axial play of 0.5 mm per side has already been taken into account. The nominal clearance of your conveyor is 500 mm, which also corresponds to the installation length EL, i. e. the reference length is: 500 - 36 = 464 mm.

## Standards

## Order example





# HEAVY-DUTY CONVEYOR ROLLER SERIES 3600

*Sturdy, reliable, cost-effective standard solution*

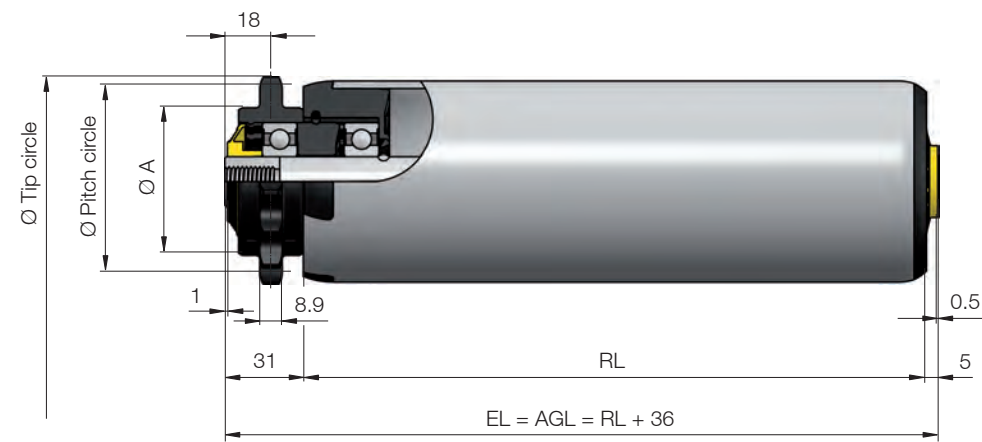


Conveyor Rollers  
Fixed drive  
Series 3600

## Dimensions

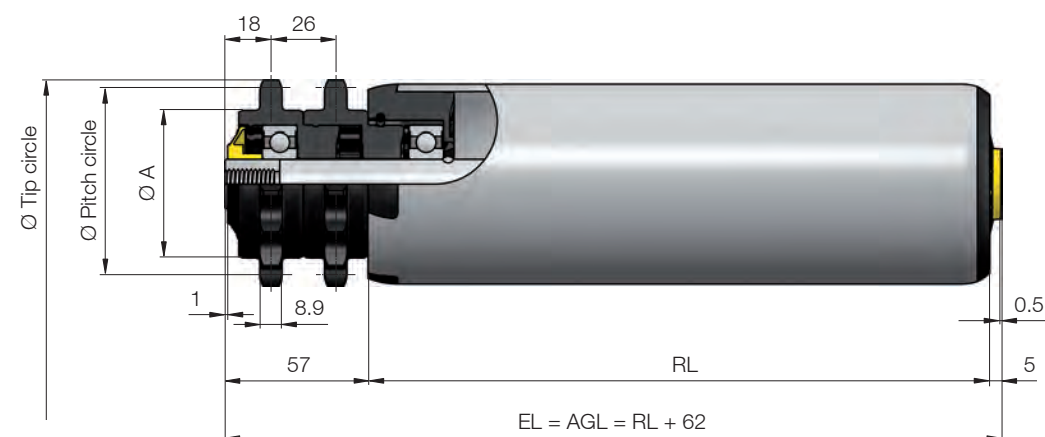
RL	Reference length/Ordering length
EL	Installation length
AGL	Total length of shaft

### Dimensions for polymer sprocket 5/8", without flange



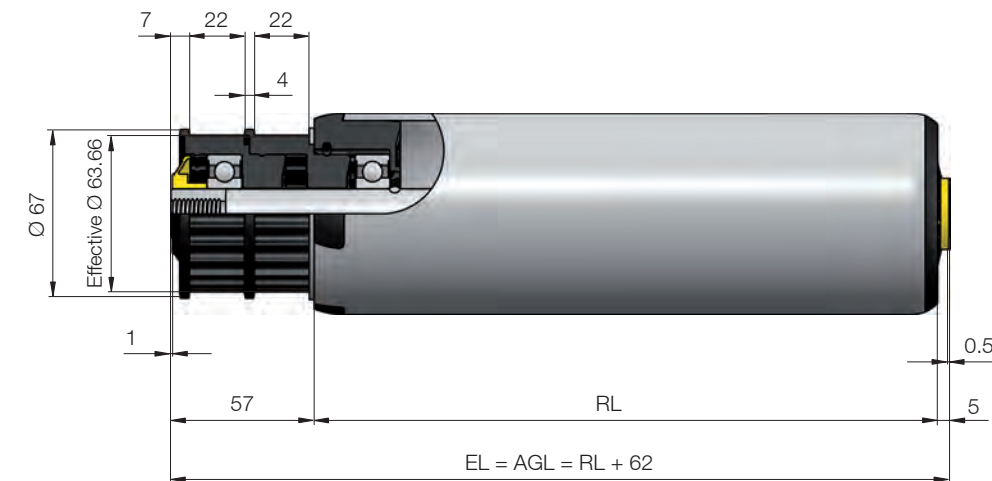
Number of teeth	Ø Tip circle mm	Ø Pitch circle mm	Ø A mm
15	83	76.36	59
18	98	91.42	66

### Dimensions for 2 polymer sprockets 5/8", without flange

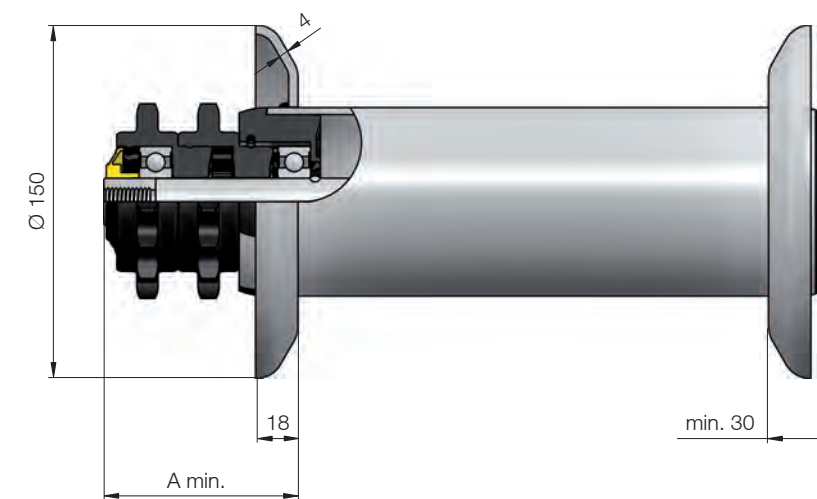


Number of teeth	Ø Tip circle mm	Ø Pitch circle mm	Ø A mm
15	83	76.36	59
18	98	91.42	66

### Dimensions for toothed belt head without flange



### Dimensions for flange

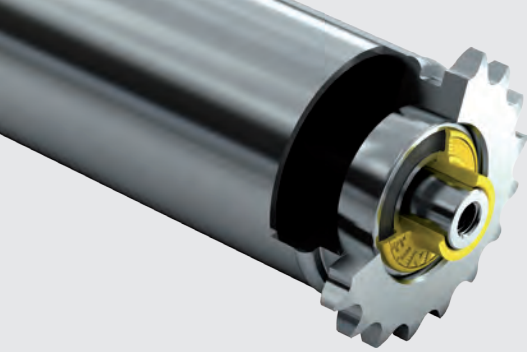


Drive	Pitch A of flange mm
Sprocket	Min. 56
2 sprockets	Min. 82
Toothed belt	Min. 82

## Options

We can offer you the following options in addition to our standard products:

- Steel tube, zinc-plated Ø 80 x 2 mm



# HEAVY-DUTY CONVEYOR ROLLER SERIES 3950



Conveyor Rollers  
Fixed drive  
Series 3950

*The most stable fixed drive conveyor roller for heavy loads*

## Product Description

- Particularly sturdy, stable, fixed drive conveyor roller
  - Welded steel sprockets
- Compatible with Fixed Drive Conveyor Roller Series 3600
  - Identical sprocket dimensions
- Comprehensive drive versions
  - Roller-to-roller and tangential chain drive
- Gentle lateral pushing of the materials to be conveyed
  - Rounded tube ends
- In-house driven conveyance of heavy materials to be conveyed
- Pallets, steel containers etc.
- Sealed precision ball bearing (6205 2RZ)
- Steel sprockets, welded to tube
- Zinc-plated as a component after welding
- Platform 1450

## Technical Data

General technical data	
Max. load capacity	5,000 N
Max. conveyor speed	0.5 m/s
Temperature range	0 to +40 °C
Materials	
Bearing housing	Polyamide
Drive head	Steel
Seal	Polyamide
Ball bearing	Steel 6205 2RZ

The dynamic load and the surface load are the assumptions for the load capacity.

### Female threaded shaft version

Ø Tube mm	Torque transmission	Max. load capacity in N with an installation length of mm							
		200	400	600	800	1,000	1,200	1,400	1,600
80 x 3	1 & 2 steel sprockets	5,000	5,000	5,000	5,000	5,000	5,000	4,740	3,600
89 x 3	1 & 2 steel sprockets	5,000	5,000	5,000	5,000	5,000	5,000	5,000	5,000

## Product Selection

### Female threaded shaft version

Tube		Ball bearing	Shaft		
Material	Ø mm		Reference number		
		Torque transmission	Ø 20 mm (M12 x 20) without flange	Ø 20 mm (M12 x 20) with flange	
Steel, zinc-plated	80 x 3.0	Steel sprocket 5/8", Z = 18	6205 2RZ	3.951.JJC.S9F	3.951.JJD.S9F
		Steel sprocket 5/8", Z = 15	6205 2RZ	3.951.JJP.S9F	3.951.JJ1.S9F
		2 steel sprockets 5/8", Z = 18	6205 2RZ	3.951.JKC.S9E	3.951.JKD.S9E
		2 steel sprockets 5/8", Z = 15	6205 2RZ	3.951.JKW.S9E	3.951.JK1.S9E
	89 x 3.0	Steel sprocket 5/8", Z = 18	6205 2RZ	3.952.JJE.S9F	3.952.JJF.S9F
		Steel sprocket 5/8", Z = 15	6205 2RZ	3.952.JJY.S9F	3.952.JJ2.S9F
		2 steel sprockets 5/8", Z = 18	6205 2RZ	3.952.JKE.S9E	3.952.JKF.S9E
		2 steel sprockets 5/8", Z = 15	6205 2RZ	3.952.JKY.S9E	3.952.JK2.S9E

On request, we can offer you further options in addition to our standard products (cf. the following double page).

### Example of a reference number: 3.951.JJP.S9F - 464

This reference number is for a Conveyor Roller Series 3950, steel, zinc-plated, Ø tube 80 mm, steel sprocket 5/8", Z = 15, Ø shaft 20 mm, female threaded shaft without flange and reference length 464 mm. The reference length RL can be found on the dimensioned drawing: RL = EL - 36. The axial play of 0.5 mm per side has already been taken into account. The nominal clearance of your conveyor is 500 mm, which also corresponds to the installation length EL, i. e. the reference length is: 500 - 36 = 464 mm.

## Standards

## Ordering example

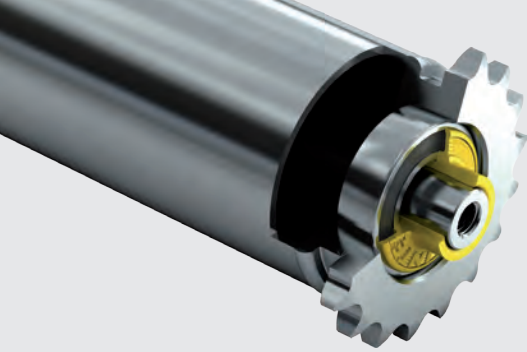
## Customer benefits

## Applications

## Properties

## Associated platform

## Load capacity



# HEAVY-DUTY CONVEYOR ROLLER SERIES 3950



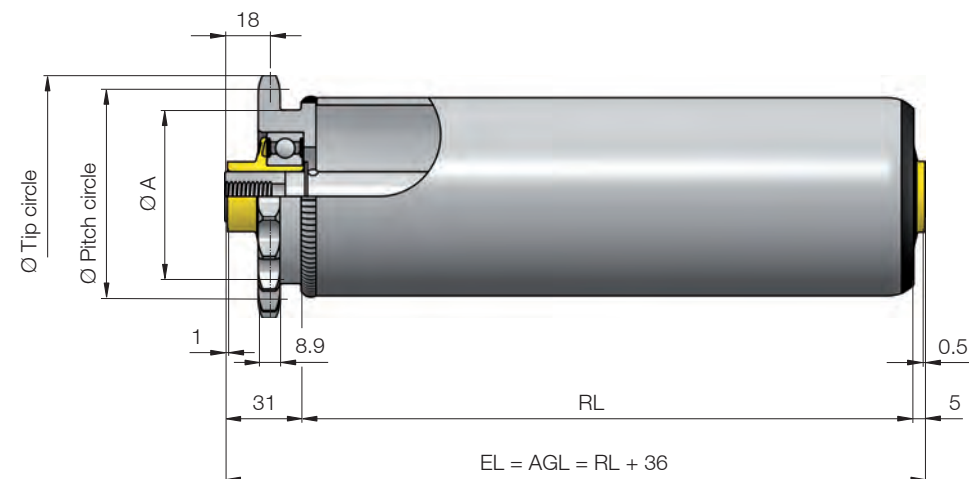
Conveyor Rollers  
Fixed drive  
Series 3950

*The most stable fixed drive conveyor roller for heavy loads*

## Dimensions

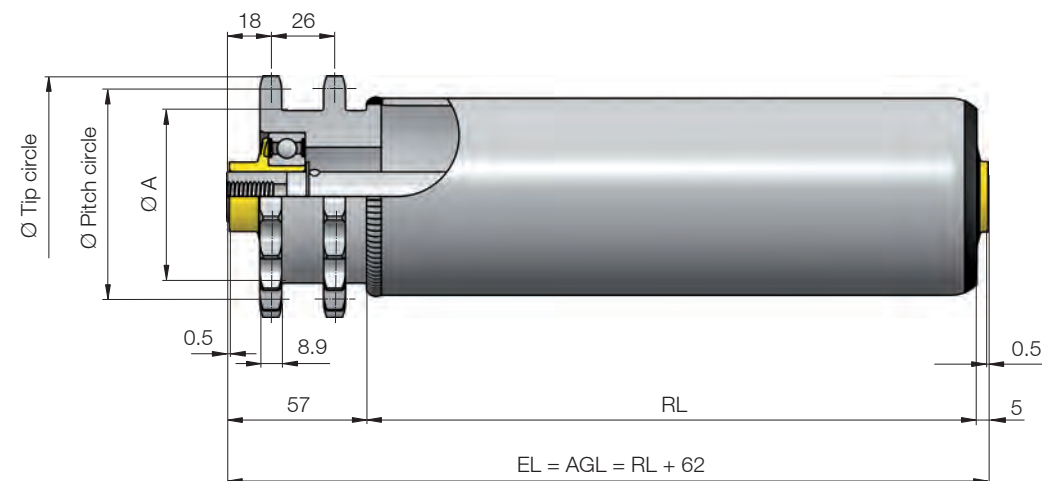
RL	Reference length/Ordering length
EL	Installation length
AGL	Total length of shaft

### Dimensions for steel sprocket 5/8", without flange



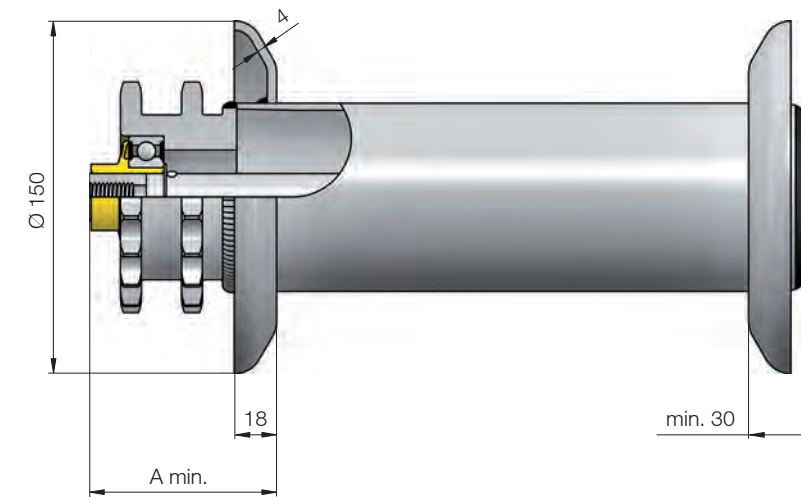
Number of teeth	Ø Tip circle mm	Ø Pitch circle mm	Ø A mm
15	83	76.36	60
18	98	91.42	70

### Dimensions for 2 steel sprockets 5/8", without flange



Number of teeth	Ø Tip circle mm	Ø Pitch circle mm	Ø A mm
15	83	76.36	60
18	98	91.42	70

### Dimensions for flange



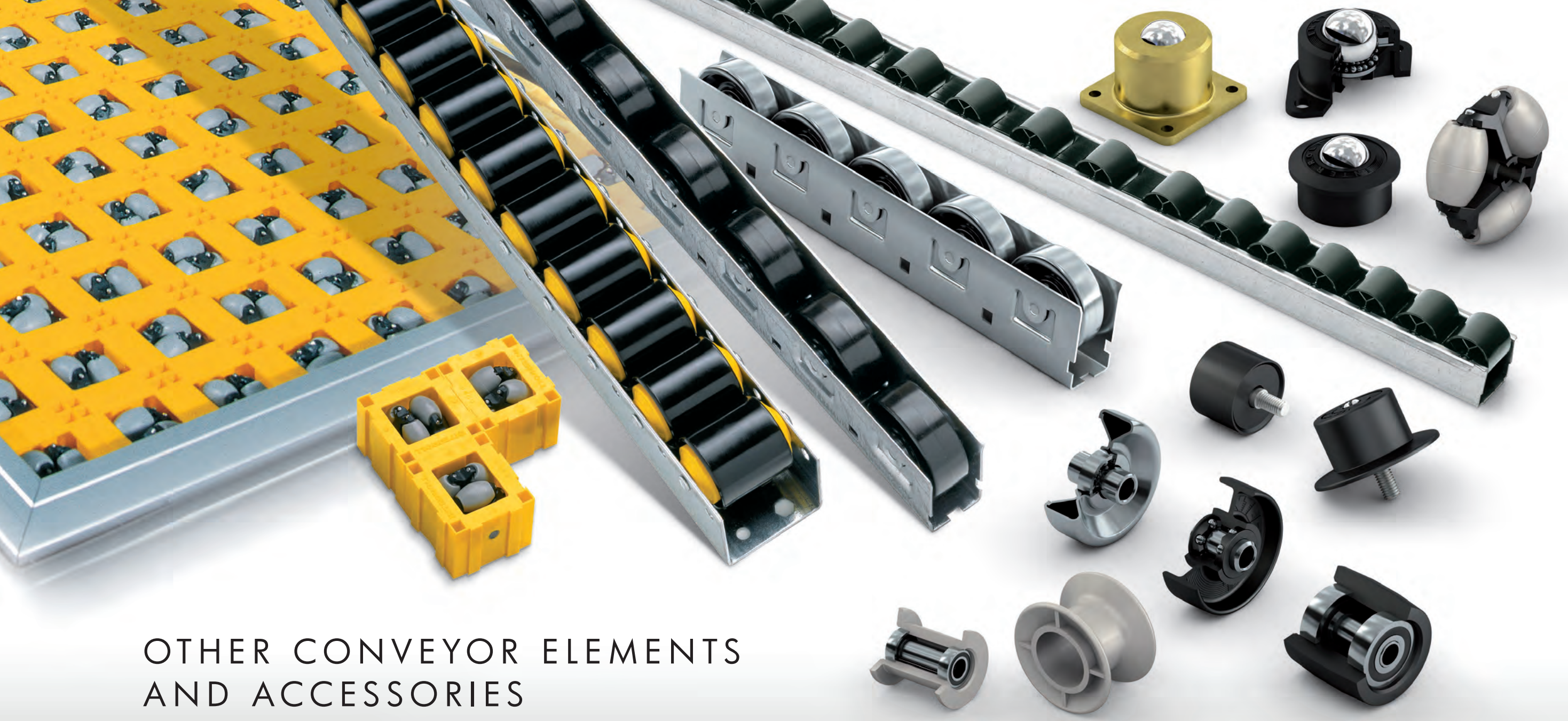
Drive	Pitch A of flange mm
Sprocket	Min. 54
2 sprockets	Min. 80

### Options

We can offer you the following options in addition to our standard products:

- Uncoated steel drive head with welded zinc-plated steel tube

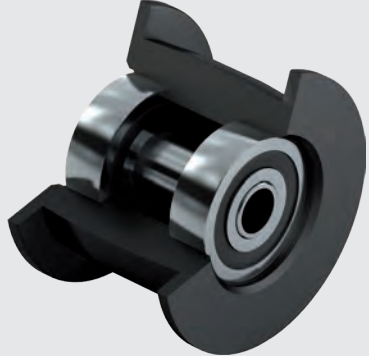




## OTHER CONVEYOR ELEMENTS AND ACCESSORIES

<b>Pressure Rollers</b>	Series 2600	<i>For flat belts</i>	p 136
<b>Ball Transfer Units</b>	Series 5500	<i>Load capacity up to 500 N, polymer housing</i>	p 138
	Series 5000	<i>Load capacity up to 20,000 N, steel housing</i>	p 142
<b>Conveyor Wheels</b>	Series 2130	<i>Polymer conveyor wheels Ø 48 mm</i>	p 146
	Series 2370	<i>Polymer conveyor wheels Ø 38 mm</i>	p 148
	Series 2200	<i>Steel conveyor wheels Ø 48 mm</i>	p 150
	Series 2500	<i>Omniwheels Ø 48 mm and Ø 80 mm</i>	p 152
<b>OmniWheels</b>	Series 2800	<i>Omnimat module 48 mm</i>	p 154
	Series BU 40	<i>Push conveyor tracks, lightweight and medium-heavy containers</i>	p 156
<b>Roller Tracks</b>	Series BU 50	<i>Push conveyor tracks, medium-heavy and heavy pallets</i>	p 158
	Series Floway	<i>For order picking shelves and roller carpets</i>	p 160
	PolyVee Belts	<i>Drive belts for Series 3500 and RollerDrive</i>	p 162
<b>Conveyor Roller Accessories</b>	Flanges	<i>Axial guides for lightweight and medium-heavy containers</i>	p 163
	Variable Shaft Projection	<i>± Shaft projections of standard shafts</i>	p 164
	Shaft adapter	<i>Polymer shaft adapters for noise optimisation</i>	p 164
	Antistatic Element	<i>Brass ball for conducting away electrical energy</i>	p 165
	Cables for Z-Card		p 166
<b>RollerDrive Accessories</b>	Extension Cable		p 167





# PRESSURE ROLLERS 2600

For flat belts and round belts

## Product Description

- Ball bearing supported with distance tube
    - For fixed screws
  - Alternative stainless steel version
    - Corrosion-proof
  - Tapered bearing surface to the belt guide
    - Self-centring function
- 
- Belt pressure roller for flat belt drives
  - Suitable for 20 - 30 mm wide flat belts
  - Floating fixing on the profile
- 
- Precision ball bearing 6000 2RZ, alternatively in stainless steel and 688 2RZ
  - Slide bearing for round belt wheels K 212 made of polyamide

## Product Selection

Drive medium	Bearing design	Flange	Material	Colour	Max. load capacity	Max. conveyor speed	Reference number
					N	m/s	
Flat belt	6000 2Z	✓	Polyamide	Black	2,500	2.5	2601
	6000 2Z stainless steel	✓	Polyamide	White	2,500	2.5	2606
	6000 2Z		Polyamide	Black	2,500	2.5	2611
	688 2Z stainless steel	✓	Polyoxymethylene	Grey	2,000	2.5	2610
Round belt	Slide bearing		Polyamide	Grey	1,000	1,2	K 212

## Dimensions

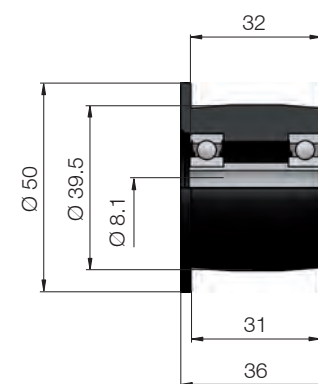


Fig.: Dimensions for 2601 / 2606

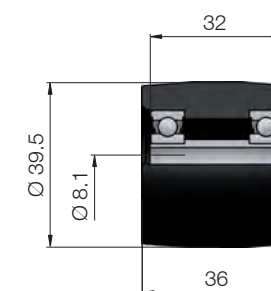


Fig.: Dimensions for 2611

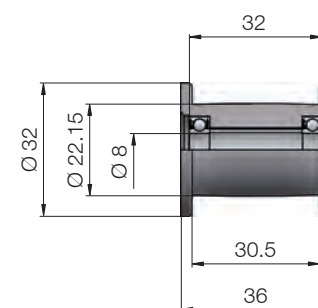


Fig.: Dimensions for 2610

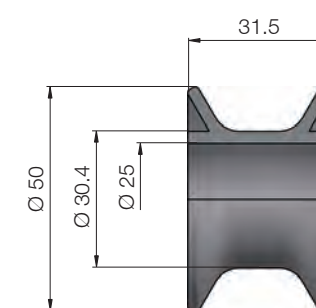


Fig.: Dimensions for K 212



# BALL TRANSFER UNITS 5500

*Load capacity up to 500 N, polymer housing*

## Product Description

- Conveyance possible in every direction
  - Simple construction of intersections and switchblades
  - Easy running balls
  - Stainless steel version (optional)
  - Polymer balls
    - No damage to critical surfaces
- Applications**
- Alignment of medium-heavy plates, containers with smooth surfaces
  - Pushing of steel or wooden plates
- Properties**
- The support balls circulate under the main ball in operation so that the material to be conveyed is constantly supported
  - Housing made of polyamide
  - Bearing set for support balls made of hardened steel
  - Protection against dust and spray water by felt seal for steel ball
- Design information**
- The load capacity of the ball rollers is best used if the balls have exactly the same level

## Product Selection

Fixing	Ø Ball	Material	Max. load capacity	Weight	Reference number
	mm		N	g	
Base flange	25.4	Steel	500	109	5500
		Steel, stainless steel	500	109	5505
		Polymer	200	51	5520
Head flange	25.4	Steel	500	109	5501
		Steel, stainless steel	500	109	5506
		Polymer	200	51	5521
Threaded pin	25.4	Steel	500	117	5504
		Steel, stainless steel	500	117	5509
		Polymer	200	59	5512
Top flange	25.4	Steel	500	107	5503
		Steel, stainless steel	500	107	5508
		Polymer	200	41	5522

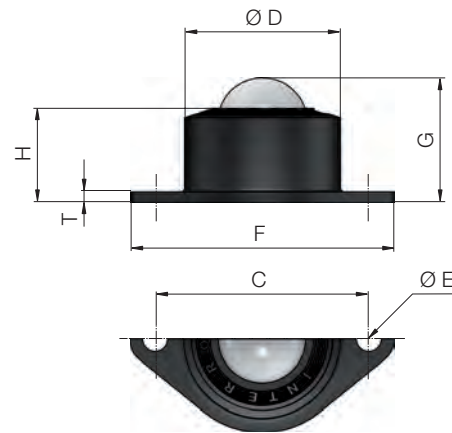


# BALL TRANSFER UNITS 5500

Load capacity up to 500 N, polymer housing

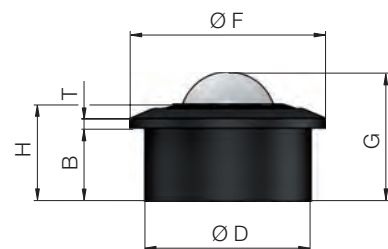
## Dimensions

Dimensions with  
base flange



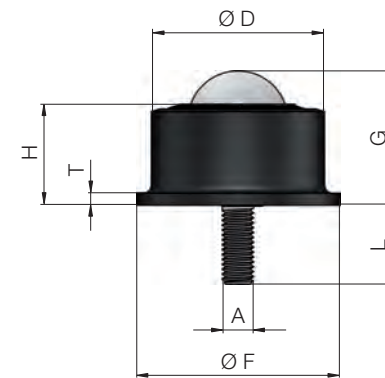
Ø D mm	Ø E mm	C mm	F mm	G mm	H mm	T mm
44.0 - 0.2	7	60	74 / 52	35	26	3

Dimensions  
with top flange



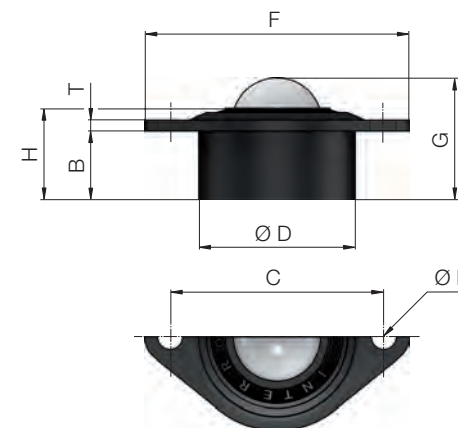
Ø D mm	Ø F mm	B mm	G mm	H mm	T mm
44.0 - 0.2	52	19.5	35	26	3

Dimensions with  
threaded pin

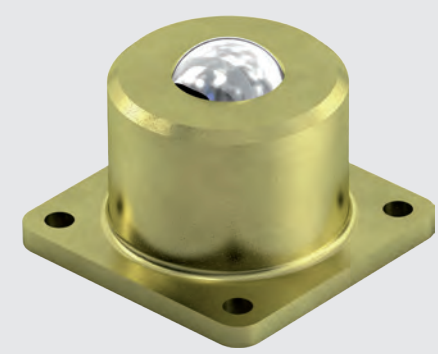


Ø D mm	Ø F mm	A mm	G mm	H mm	L mm	T mm
44.0 - 0.2	52	M8	35	26	22	3

Dimensions  
with head flange



Ø D mm	Ø E mm	B mm	C mm	F mm	G mm	H mm	T mm
44.0 - 0.2	7	19.5	60	74 / 52	35	26	3



# STEEL BALL TRANSFER UNITS 5000

*Load capacity up to 20,000 N, steel housing*

## Product Description

- Conveyance possible in every direction
  - Simple construction of intersections and switchblades
  - Easy running balls
- Applications**
- Alignment of medium-heavy and heavy plates, containers with smooth surfaces
  - Pushing of steel or wooden plates
  - Installation upside down is possible
- Properties**
- The support balls circulate under the main ball in operation so that the material to be conveyed is constantly supported
  - The balls rotate on a number of small circulating balls, which in turn rotate on a hardened mushroom-shaped steel table
- Design information**
- The load capacity of the ball rollers is best used if the balls have exactly the same level

## Product Selection

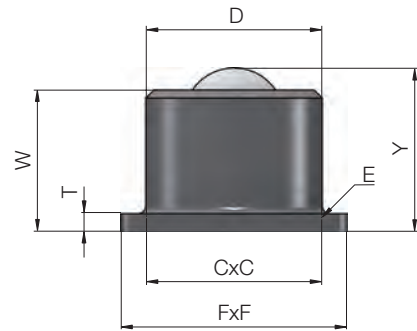
Fixing	Ø Ball	Material	Max. load capacity	Weight	Reference number
	mm		N	g	
Base flange	12.7	Steel	360	78	5019
	25.4		1,820	480	5020
	25.4		3,200	797	5021
	38.1		10,000	1,284	5022
	50.8		20,000	5,556	5023
Head flange	12.7	Steel	360	78	5024
	25.4		1,820	432	5025
	25.4		3,200	802	5026
	38.1		10,000	1,284	5027
	50.8		20,000	5,844	5028
Threaded pin	12.7	Steel	360	43	5014
	25.4		1,820	480	5015
	25.4		3,200	598	5016
	38.1		10,000	1,198	5017
	50.8		20,000	5,500	5018

# STEEL BALL TRANSFER UNITS 5000

*Load capacity up to 20,000 N, steel housing*

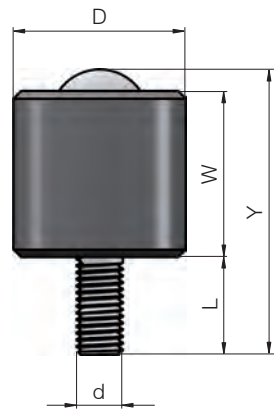
Dimensions with  
base flange

## Dimensions

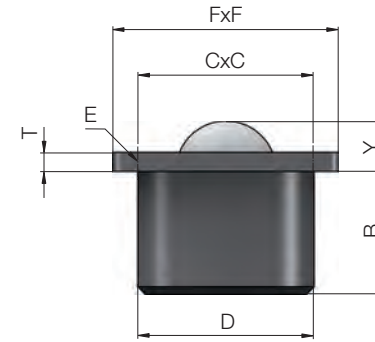


Ø Ball mm	CxC mm	D mm	E mm	FxF mm	T mm	W mm	Y mm
12.7	34.9 pcd	23.8	2 x 3.6	44.5 sq	3.2	18.6	22.6
25.4	44.5 sq	44.5	4 x 5.6	57.2 sq	4.8	35.7	41.3
25.4	57.9 sq	50.8	4 x 7.1	76.2 sq	6.4	38.1	44.5
38.1	57.9 sq	60.3	4 x 7.1	76.2 sq	12.7	48.8	61.5
50.8	101.6 sq	111.1 / 104.8 conical	4 x 11	127 sq	12.7	82.5	98.4

Dimensions with  
threaded pin



Ø Ball mm	D mm	d mm	L mm	W mm	Y mm
12.7	20.6	M8	15.9	15.1	35.0
25.4	44.5	M12	25.4	43.0	74.0
25.4	50.8	M12	25.4	45.2	77.0
38.1	60.3	M20	41.1	60.3	114.1
50.8	101.6	M24	50.8	93.3	160.0



Ø Ball mm	B mm	CxC mm	D mm	E mm	FxF mm	T mm	Y mm
12.7	11.4	34.9 pcd	23.8	2 x 3.6	44.5 dia.	3.2	11.2
25.4	31.0	44.5 sq	44.5	4 x 5.6	57.2 sq	4.8	10.3
25.4	31.8	57.9 sq	50.8	4 x 7.1	76.2 sq	6.4	12.7
38.1	34.9	57.9 sq	60.3	4 x 7.1	76.2 sq	12.7	25.4
50.8	65.1	101.6 sq	110.0	4 x 10.2	127.0 sq	19.1	33.3

Dimensions  
with head flange





# POLYMER CONVEYOR WHEELS 2130



Other Conveying Elements  
**Polymer Conveyor Wheels**

*Double ball race*

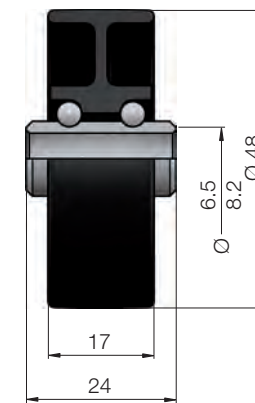
## Product Description

- Low-noise operation
- Made of impact-resistant polymer
- Double ball race
- Based on Platform 1100

## Technical Data

General technical data	
Material	Polypropylene
Colour	Black
Bearing	Steel balls on a zinc-plated steel hub
Static load capacity	100 N
Dynamic load capacity	200 N
Weight	27 g

## Dimensions



## Reference number

Ø Hole mm	Fitted rubber tyre	Reference number
6.5		2130
8.2		2131
6.5	✓	2132
8.2	✓	2133



# POLYMER CONVEYOR WHEELS 2370



Other Conveying Elements  
Polymer Conveyor Wheels

*Double ball race with spindle*

## Product Description

- Simple to install
- Low-noise operation
- Made of impact-resistant polymer
- Double ball race
- Floating fixing on the profile
- Shaft pin, zinc-plated, M8 15 mm
- 2 mm slit for screwdriver
- Based on Platform 1100

## Technical Data

General technical data	
Material	Polypropylene
Static load capacity	50 N
Dynamic load capacity	100 N

## Product Selection

Version	Bearing	Colour	Weight	Reference number
Without flange	Steel balls on a zinc-plated steel pin	Black	45 g	2371
	Stainless steel balls on stainless steel pins	Grey	45 g	2373
With flange	Steel balls on a zinc-plated steel pin	Black	49 g	2370
	Stainless steel balls and stainless steel pins	Grey	49 g	2372

## Dimensions

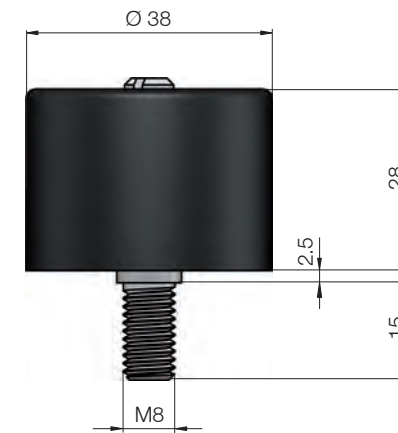


Fig.: Dimensions without flange

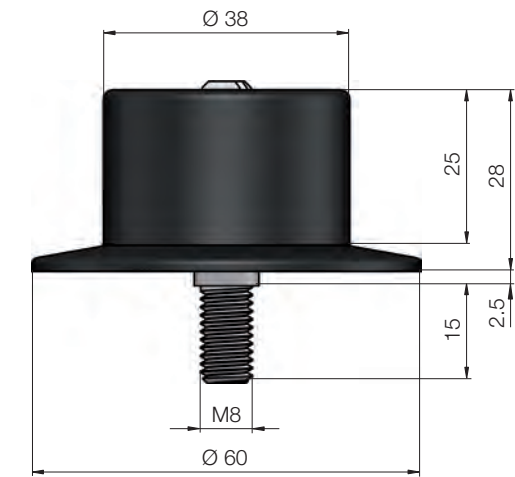
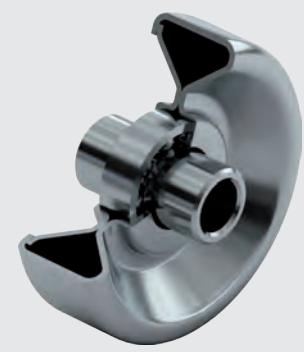


Fig.: Dimensions with flange



# STEEL CONVEYOR WHEELS 2200



Other Conveying  
Elements  
Steel Conveyor  
Wheels

*Single-row ball race*

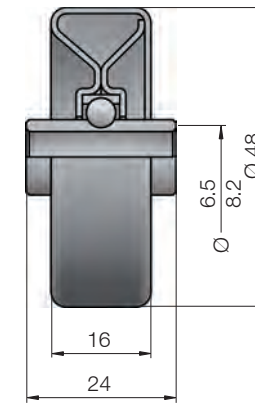
## Product Description

- Good running stability
- Long operational lifespan due to hardened running surfaces
- Single-row ball race
- Based on Platform 1200

## Technical Data

General technical data	
Material	Steel, zinc-plated
Bearing	Steel balls on a zinc-plated steel hub
Static load capacity	100 N
Dynamic load capacity	200 N
Weight	60 g

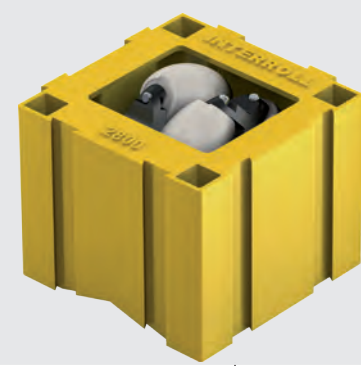
## Dimensions



## Reference number

Ø Hole mm	Fitted rubber tyre	Reference number
6.5		2200
8.2		2201
6.5	✓	2202
8.2	✓	2203





# OMNIWHEEL 2500

For switchblades and intersections

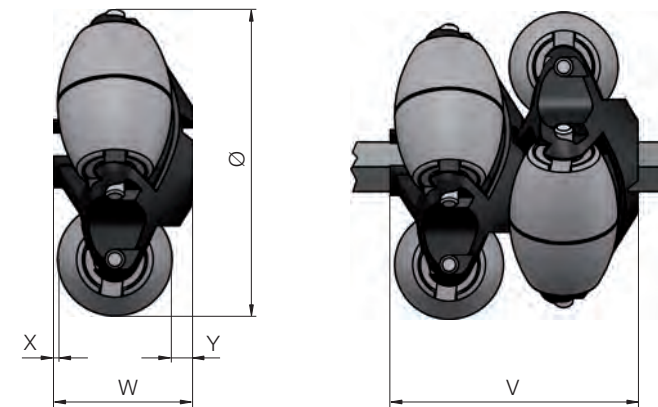


Other Conveying Elements  
OmniWheels

## Product Description

- Simple to install
  - Conveyance possible in every direction
  - Conveyor wheels can be coupled to each other
  - Simple construction of intersections and switchblades
- Humid environment
  - Dusty environment
  - Version driven in one direction with a hexagonal shaft
- Corrosion-proof due to the use of stainless steel pins
  - Based on Platform 1500
- Level, stable base required on material to be conveyed
  - The load capacity is used to best advantage if coactive Omniwheels have exactly the same level and the surfaces of the material to be conveyed are smooth

## Dimensions



Ø Roller mm	X mm	Y mm	W mm	V mm
48	3	3	21.5	40
80	4	4	34	65

## Technical Data

General technical data	
Frame material	Polyamide
Tube material	Polyamide
Plug material	Steel, stainless steel
Bearing	Slide bearing

## Product Selection

Ø Roller mm	Hub opening mm	Max. load capacity N	Reference number
48	8.2	50	2570
48	8.1 hex	50	2571
80	12.2	250	2580
80	11.2 hex	250	2581

Customer benefits

Applications

Properties

Design information



# OMNIMAT MODULE 2800



Other Conveying  
Elements  
OmniWheels

*For switchblades and intersections*

Customer  
benefits

Applications

Properties

Design  
information

## Product Description

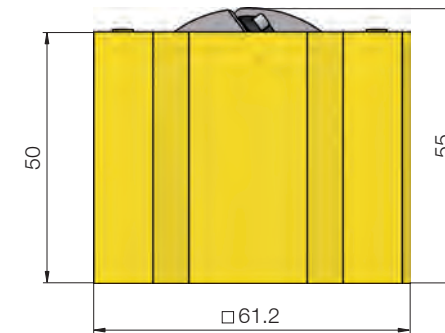
- Conveyance possible in every direction
- Lateral dovetail profiles for a fixed, form-fit join
- Humid environment
- Corrosion-proof
- Equipped with a pair of OmniWheels Series 2500 (Ø 48 mm) and stainless steel shaft (Ø 8 mm)
- Level, stable base required on material to be conveyed

## Technical Data

### General technical data

Max. load capacity	50 N
Bearing	Slide bearing
Housing material	Polypropylene

## Dimensions



Reference number: 2800



# ROLLER TRACKS BU40

Push conveyor tracks for lightweight and medium-heavy containers

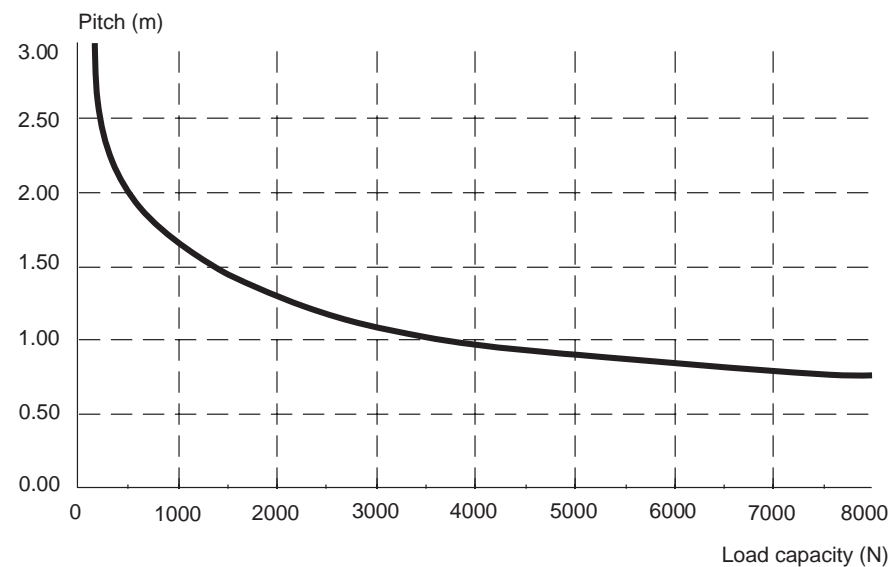
## Product Description

- For universal use
- Suitable for lightweight and medium-heavy materials to be conveyed
- For inclined conveyors and pushing operations
- Side guides
- Zinc-plated steel profile
- Snap-in function for wheels in the profile
- Standard pitch 52 mm
- Conveyor wheels used
  - Polymer Wheels Series 2130
  - Steel Wheels Series 2200

## Technical Data

General technical data	
Material	Steel, zinc-plated
Wall thickness	1,2 mm
Standard pitch	52 mm

Load capacity diagram (surface load-deflection 2 mm)



## Reference number

Please state in addition to the reference number the total length L (has to be a multiple of 52 mm) and the number of conveyor wheels.

Version	Reference number
With polymer conveyor wheels	BU40, L = XX mm, XX no. 2130
With steel conveyor wheels	BU40, L = XX mm, XX no. 2200

## Dimensions

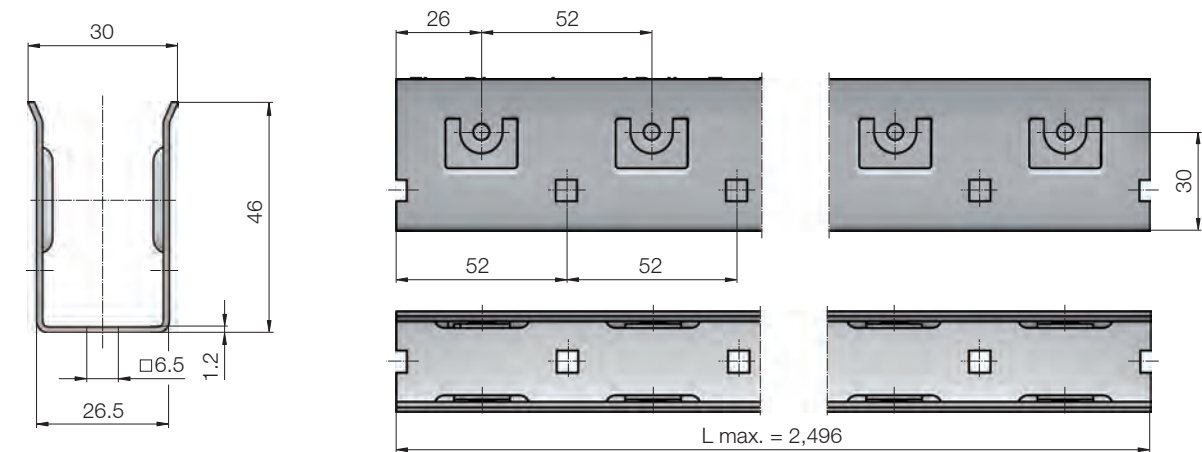


Fig.: Dimensions of steel profile

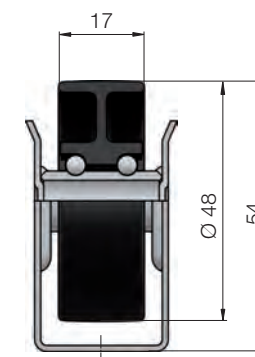


Fig.: Dimensions with polymer conveyor wheels

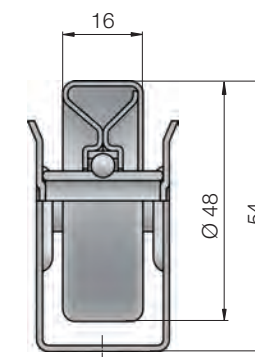


Fig.: Dimensions with steel conveyor wheels

## Ordering information

Customer  
benefits  
Applications

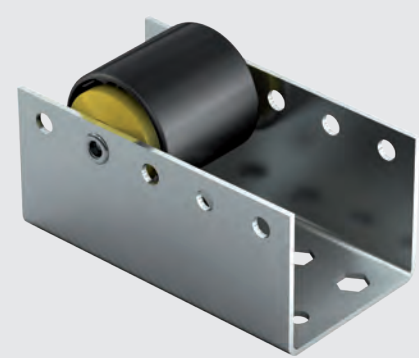
Properties

Load capacity



**Push conveyor tracks and diverter equipment  
for medium-heavy and heavy pallets**

# ROLLER TRACKS BU50



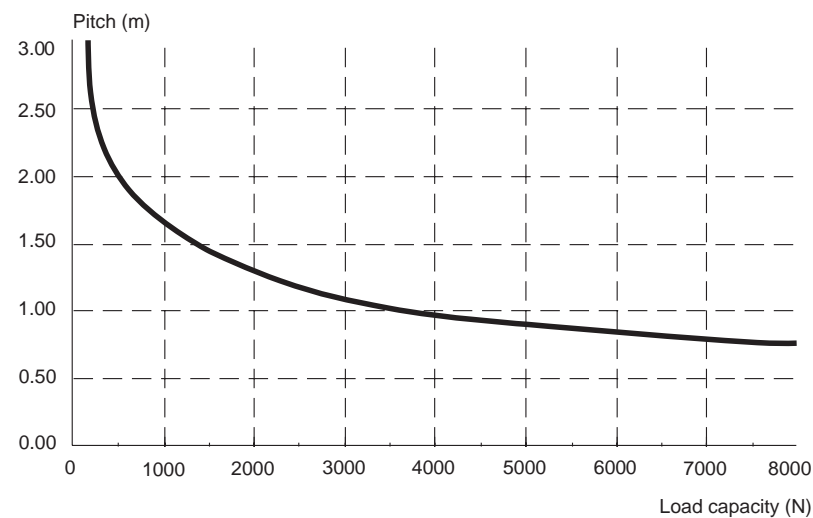
## Product Description

- For universal use
- Different pitches are possible
- Suitable for medium-heavy and heavy materials to be conveyed
- For inclined conveyors and pushing operations
- Side guides
- Zinc-plated steel profile
- Rollers riveted in the profile, rivet shafts 8 mm
- Platform 1700 conveyor rollers used:
  - Polymer conveyor rollers (Ø 50 mm) with or without flange; static load capacity 300 N / dynamic load capacity: 400 N
  - Conveyor rollers with steel tube (Ø 50 mm): static load capacity: 1,200 N / dynamic load capacity: 1,600 N

## Technical Data

General technical data	
Material	Steel, zinc-plated
Wall thickness	2,5 mm
Standard pitch	52, 78, 104, 156 mm

Load capacity diagram (surface load-deflection 2 mm)



## Reference number

The following information is needed in addition to the reference number: profile length, pitch and first position of the conveyor roller. Please contact your Interroll customer consultant.

Version	Reference number
Polymer conveyor roller without flange	2901
Polymer conveyor roller with flange	2911
Steel conveyor roller	2955

## Dimensions

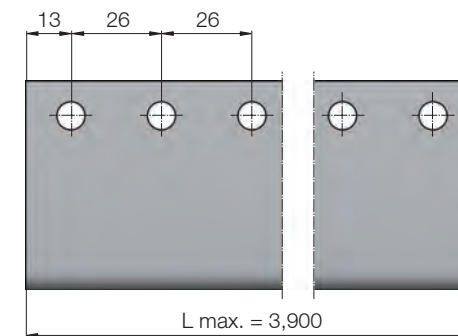


Fig.: Dimensions of Roller Track

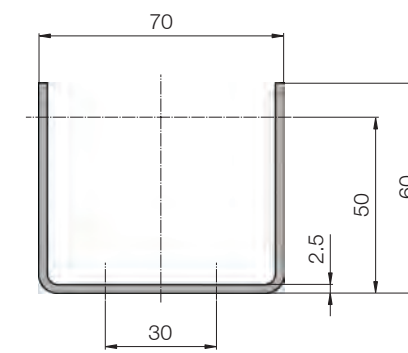
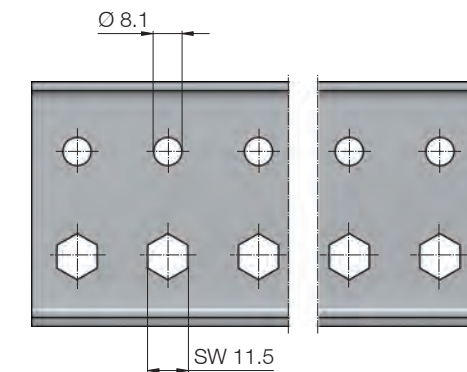


Fig.: Dimensions of steel profile

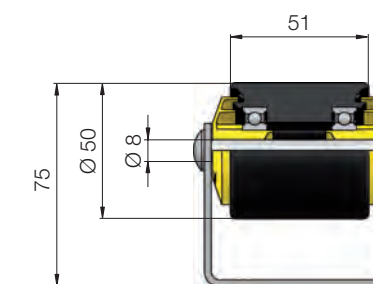


Fig.: Dimensions with polymer conveyor roller without flange

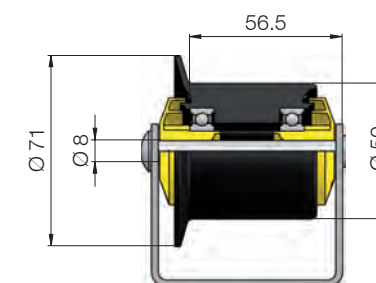


Fig.: Dimensions with polymer conveyor roller with flange

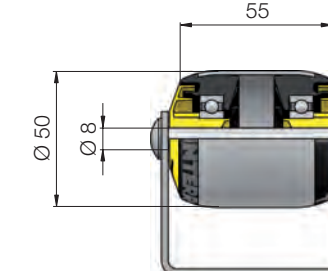


Fig.: Dimensions with steel conveyor roller

Customer benefits

Applications

Properties

Load capacity

Ordering information



# FLOWAY

For order picking shelves and roller carpets

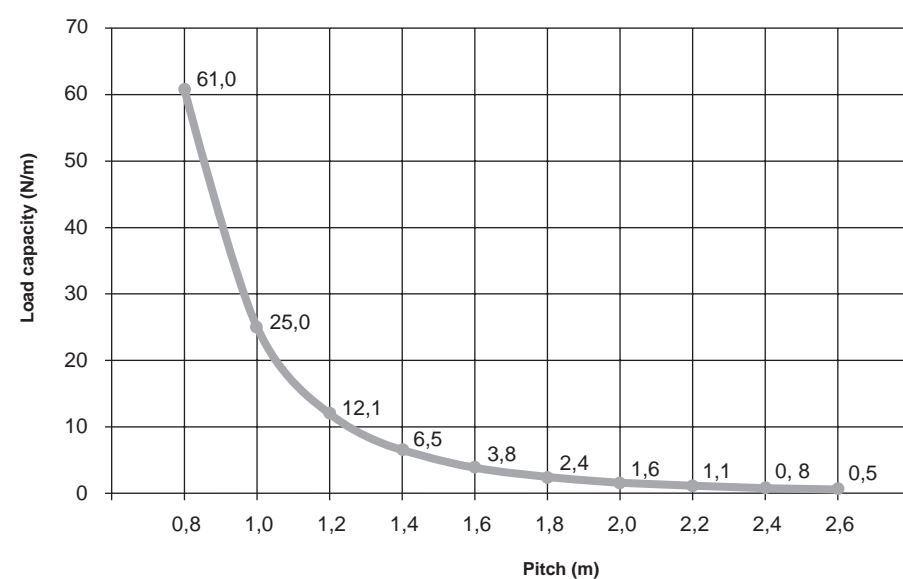
## Product Description

- Supports the lateral profile flanges on the shaft
  - Guarantees the free-running of the wheels even under heavy loads
- Wheel tracks for order picking shelves
- Roller carpets for gravity and pushing operations
- For lightweight and medium-heavy materials to be conveyed
- For inclined conveyors and pushing operations
- Wheels made of highly compressed polyethylene
- Zinc-plated steel profile
- Continuous, zinc-plated, 3 mm shaft

## Technical Data

### General technical data

Material	Polyamide
Standard pitch	28 mm
Roller colour	Black
Max. load capacity per wheel	80 N



Please clarify the profile length with your Interroll customer consultant.

## Dimensions

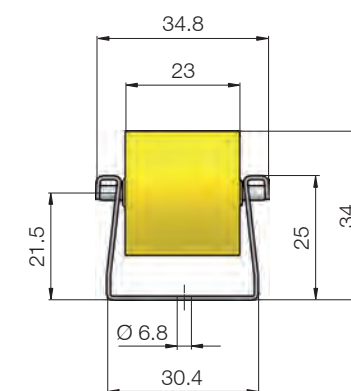


Fig.: Wheel

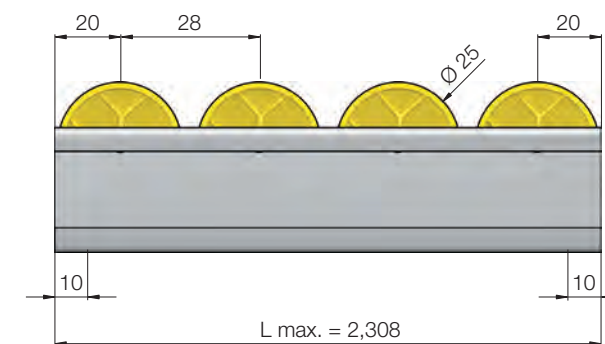


Fig.: Wheel track

Customer  
benefits

Applications

Properties

Load capacity

Ordering  
information

# CONVEYOR ROLLER ACCESSORIES

## PolyVee Belts

### Product Description

- Standard belt: ISO 9981; DIN 7867
  - Flexible standard belt
  - Significantly longer service life than round belts
  - Up to 300 % more torque transmission than with comparable round belts
  - Flexible standard belts, 1 to 3% pre-tension
  - Also suitable as curve drive (only 2-ribbed belts)

### Product Selection

Number of ribs	Max. weight of material to be conveyed kg	Roller pitch mm	Reference number
2	50	60	H68B
		75	H68C
		100	H68D
		120-125	H68E
3	300	60	H68F
		75	H68G
		100	H68H
		120-125	H68J

## Flanges

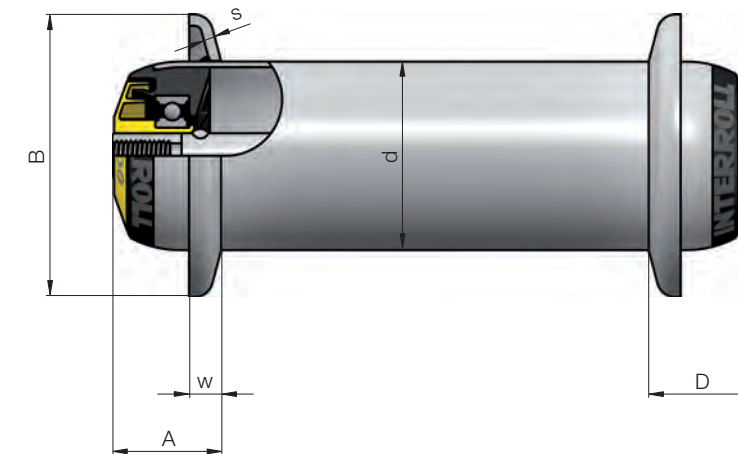
### Product Description

- Stable complete flanges for tubes Ø 50, 60, 80 and 89 mm
- Welded right round to the tube
- Stable side guide prevents the conveyed material from being laterally displaced
- They can be ordered for the following Conveyor Roller Series:
  - Steel Conveyor Roller Series 1200
  - Universal Conveyor Roller Series 1700
  - Fixed Drive Conveyor Roller Series 3500
  - Gravity Conveyor Roller Series 1450

With regard to the pitch, it must be ensured that at least 2 conveyor rollers with flange are in contact with the conveyed material

### Dimensions

Please state dimensions A + D when ordering.



d mm	B mm	s mm	w mm	A <sub>min</sub> mm	D <sub>min</sub> mm
50	75	3	8.5	22	22
60	100	3	8.5	22	22
80/89	150	4	18	30	30

Design  
information

Ordering  
information



# CONVEYOR ROLLER ACCESSORIES

## Variable Shaft Projection

### Product Description

- Shaft projections can deviate from the standard by being extended or shortened
- They can be ordered for the following Conveyor Roller Series:
  - Smooth-Running Conveyor Roller Series 1100
  - Steel Conveyor Roller Series 1200
  - Universal Conveyor Roller Series 1700
- They can be ordered for the following shaft versions:
  - Female threaded shaft
  - Male threaded shaft
  - Spring-loaded shaft
  - Flatted shaft

The possible shaft projections depend on the actual shaft version. Please contact your Interroll customer consultant.

Axial support by the seal can no longer be guaranteed with a variable shaft projection. With greater axial forces, for example where there is lateral displacement, suitable replacement structures, such as spacing tubes, may possibly have to be fitted.

## Shaft adapter

### Product Description

- Suitable profile construction with open longitudinal holes
- Low noise level
- Conductive polymer shaft adapter made of polyoxy methylene, fitted on a rigid shaft
- Increases the installation length
- The shaft adapters are not an alternative to the tapered shaft shuttle of Series 1700 p 38
- The conveyor rollers are laid loosely into the profiles from above

### Product Selection

Ø Shaft mm	External dimension mm	EL mm	Reference number
8	11 hex, 11 long	+5	K258
10	SW12 x 8	+4	K247

## Antistatic Element

### Product Description

- Brass ball for conducting away electrical energy from the surface of the tube
- Permanent join between steel tube and shaft
- All conveyor rollers have grooves on the tube as standard
- This can be ordered for all conveyor rollers series (with the exception of Series 1500) and for all tube diameters

Please contact your Interroll customer consultant.

The electrical energy has to be conducted from the shaft into the profile. The excellent conductivity from the roller shaft into the frame profile must be ensured by the plant constructor by putting in place suitable measures.

Ordering  
information  
Design  
information

Ordering  
information

Design  
information

Customer  
benefits

Properties

Design  
information

# ROLLERDRIVE ACCESSORIES

## Cables for Z-Card

### Product Description

- All cables are provided with appropriate connectors and protective sleeves at both ends and are ready for installation

### Product Selection

Cable	Description	Reference number
Communication cable	From Z-Card to Z-Card	89VC
Sensor connection cable	For M8 sensors, length 1 m	89VA
	For M8 sensors, length 2 m	89VB
Connection cable for power unit	Length 1 m, open-stranded	89VJ

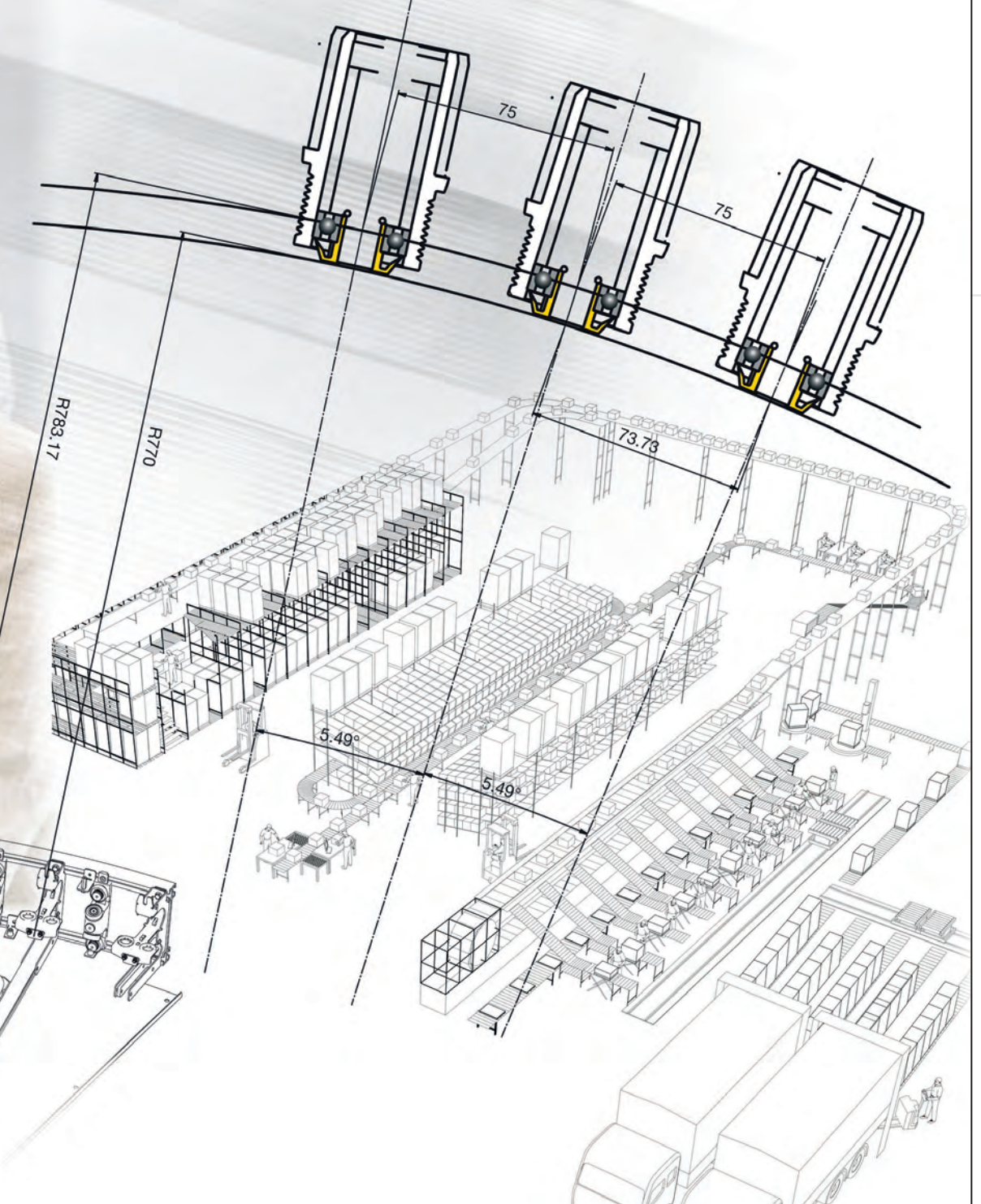
## Extension cable for RollerDrive EC310

### Product Description

- Protection rating: IP66
- Length: 2 m
- Connection: Plug system at both ends

**Reference number: 89VN**





# PLANNING SECTION AND MATERIAL SPECIFICATION

## What is the purpose of the Planning Section?

The Planning Section assists you in your planning and design of conveyor installations and in the selection of components. The Planning Section provides you with:

- Decision-making aids for product selection
- Extensive product and material descriptions
- Information on applications, applicational criteria and limits
- Orientation around the catalogue

## What is the purpose of the Material Specification?

The Material Specification is intended as a reference document. Here you can find concise and detailed information about the materials used in Interroll products. The information is sub-divided under the headings Tubes, Bearings, Shafts, Drives and Polymer.

### Planning Basics

Dimensions of Your Material to be Transported	p 170
Weight of Your Materials to be Transported	p 171
Material of Your Transported Product	p 172
Requirements Regarding the Conveyor System/Environmental Conditions	p 173

### Planning Information

Platforms	p 174
Tubes	p 178
Tube Materials/Tube Sleeves	p 179
Tubes with Flanges/Grooves	p 183
Bearing	p 186
Drives	p 188
Shafts	p 200

### Construction Principles

for straight conveyor sections	p 206
for curves	p 212
for RollerDrives and Controls	p 218

### Material Specification

Tubes	p 222
Bearing	p 223
Shafts	p 224
Drives	p 225
Technical Polymer	p 226



# PLANNING BASICS

The properties of your material to be transported, your requirements as regards the conveyor system and the ambient conditions are the basis for the planning of your system. Consider the following questions and the resulting conditions for selection of your product in order to find the best possible solution for your conveyor installation.

## Dimensions of Your Material to be Transported

The length and width of the material to be transported have an effect on three factors:

- **Straight running:** The higher the ratio of length to width, the more stable will be the straight running of your items. With smaller length to width ratios, you may have to consider putting in place additional measures to stabilise the straight running of the materials.
- **Roller length:** The roller length normally corresponds to the width of the product to be transported + 50 mm or, with very large items such as pallets + 100 mm. Tapered conveyor rollers must be used in curves, the length of which has to be calculated separately (cf. Planning Section, p 212).
- **Roller pitch:** To ensure that the material to be transported is conveyed smoothly, the roller pitch has to be designed so that at least three conveyor rollers lie under the product at all times.

The greater the height of the material to be transported in relation to its footprint, the higher is the risk of it tipping over when travelling on the conveyor. The following must be taken into consideration:

- Minimise the roller pitch as much as possible to ensure that the products are conveyed smoothly with as large a base surface as possible on the conveyor.
- Avoid rapid acceleration and harsh braking.
- With inclined conveyor tracks, determine the centre of gravity of the material to be transported and check whether there is a risk of it tipping.

## Weight of Your Materials to be Transported

The weight of the material to be transported affects in particular the:

- **Diameter, pitch and bearing load:** The weight of the material to be transported must be distributed over as many load-bearing conveyor rollers as are required to ensure that the maximum load capacity of the individual rollers is not exceeded. This may mean that material to be transported may have to be supported by more than three conveyor rollers. The greater the diameter of the tube selected, the higher is its load capacity. The load capacity is also increased by threaded shafts, which provide additional reinforcement for the conveyor and act as cross ties.
- **Drive:** A wide range of different drives are available with Interroll products. However, these drives must fit to the application.

Uneven weight distribution of the material to be transported?

- In principle the weight of the material to be transported/container should be distributed as evenly as possible. The more uneven is the weight distribution, the more difficult is the reliable conveyance. With pallets, it should be borne in mind that only the rollers under the bulk of the pallet are actually bearing the load (euro-pallet). Thus the proportion of load-bearing rollers when transporting pallets is generally restricted to a maximum of four rollers.

**What is the weight of your material to be transported?**

**What is the weight distribution of the material to be transported?**

**What is the length and width of your material to be transported?**

**What is the height of the material to be transported?**

# PLANNING BASICS

What is the material of the goods to be transported?

## Material of Your Transported Product

The material, and especially the condition of the base, has an effect on the rolling and starting resistance:

- **Drive, diameter and pitch:** Rigid materials, such as polymer containers, have a lower rolling and starting resistance than soft materials, such as boxes. This has a direct effect on the drive output required and must be incorporated into your calculation. The softer the underside of the material to be transported, the higher is the drive output required for a product with the same weight but with a hard underside. Furthermore, in principle the softer the material to be transported is, the smaller the roller pitch selected needs to be.
- **Load capacity and pitch:** Ribs, grooves, ridges or grooves on the base of the material to be transported are not a problem providing they run parallel to the conveyor direction. The drive output required may have to be increased depending on their shape, especially with cross ribs. Cross ribs can have an adverse effect on the conveying action and the roller pitch may possibly have to be calculated by experience.

## Your Requirements Regarding the Conveyor System

The following parameters determine the specification of your conveyor system:

- Maximum throughput per time unit
- Geometry of the material to be transported
- Weight and material of the transported product
- Control requirements
- Environmental conditions

Electrostatic charges are fundamentally produced when an object is transported on rollers.

- **Antistatic version:** Interroll offers antistatic versions of all products to conduct away electrostatic charges immediately without sparking. Conveyor rollers driven by grooves are basically designed to be antistatic. The charge is conducted with low ohm resistance from the tube to the shaft by means of an antistatic element. The profile opening, into which the roller is laid or screwed, has to have uncoated surfaces in order to conduct the charge without sparking into the earthed side profile. This is the responsibility of the plant manufacturer.

The development of noise is affected by the:

- **Drive:** Every drive causes noise, although Interroll drives are designed to be especially low-noise. In principle, A chain drive creates more noise than a belt drive, such as a PolyVee or round belt.
- **Material and bearing:** Almost all Interroll products use technopolymers between the metallic parts to achieve the best possible noise levels.

Damp materials to be transported or humid surroundings affect the:

- **Material and bearing:** Conveyor rollers with precision ball bearings are ideally protected from wet and dirt under normal ambient conditions. If the components of the system will be constantly exposed to humidity and wetness, then Interroll offers stainless ball bearings and tubes and shafts made of corrosion-proof materials.

In principle, conveyor rollers can be used at temperature ranging from -28 to +40 °C. The relevant applicable temperature ranges are given on the product pages for the various Conveyor Roller Series. Please contact your Interroll customer consultant for non-standard temperature conditions.

What length or throughput should the installation have?

Is there static charge?

Does the system have to be low-noise?

Does the system have to be corrosion-resistant?

Will be system be operating in extreme temperatures?

# PLATFORMS

Interroll Conveyor Roller Series are arranged into five so-called "platforms". Each platform is characterised by a certain type of bearing and certain materials – the two key factors for the operation and applicational possibilities of the products.

The following applies within a platform:

- The bearings and materials for the bearing housing and seal are identical
- The shapes of the bearings may differ
- The versions are produced by the combination of shaft and tube dimensions as well as the materials

## Platform 1100 for Non-Driven Conveyors

- For gravity applications
- For especially lightweight and silent operation of conveyor rollers
- Stainless steel version suitable for moist areas
- For lightweight and medium-heavy materials to be transported
- Not suitable for driven conveyors

The ball bearings are made of polymer with steel or stainless steel balls. The outer ring and cone of the bearing is made of polypropylene or POM. The bearings are lubricated with a food-safe grease.

Platform 1100 provides for lightweight and particularly silent running of conveyor rollers for gravity systems operating in normal ambient temperatures.

Please refer to p 226 for the properties and applications of polymer.

Max. conveyor speed at a diameter of 20 mm	0.1 m/s
Max. conveyor speed at a diameter of 50 mm	0.3 m/s
Max. load capacity	350 N
Temperature range	-5 to +40 °C

- Smooth-Running Conveyor Roller Series 1100 p 28
- Conveyor Wheels Series 2130 p 146
- Conveyor Wheels Series 2370 p 148

## Platform 1200 for Extreme Ambient Temperatures

- For temperature ranges outside of the limits for polymer
- For non-driven and driven conveyors
- For lightweight and medium-heavy materials to be transported

The pressed bearing seat and internal rings of the metal ball bearing are hardened and galvanized zinc-plated. The shape of the ball bearing is designed specifically for conveyor rollers and tolerates greater deflection of the bearing than comparable precision ball bearings. However the conveyor speeds are restricted. The noise level is significantly higher than with conveyor rollers with polymer housings because of the steel construction throughout.

Platform 1200 is specifically designed for use in extreme ambient temperatures.

Max. conveyor speed at a diameter of 30 mm	0.3 m/s
Max. conveyor speed at a diameter of 50 mm	0.8 m/s
Max. load capacity	1,200 N
Temperature range	-28 to +80 °C

- Steel Conveyor Roller Series 1200 p 32
- Steel Conveyor Wheel Series 2200 p 150

## Platform 1500 for Slide Bearing Conveyor Rollers

- For wet and hygienic areas
- For non-driven and driven conveyors
- For lightweight and medium-heavy materials to be transported

The ball bearings are designed as slide bearings and are made of polymer (polyamide or POM + PTFE) with a stainless steel shaft pin. The materials and surfaces of the bearing pair are aligned to each other so that the bearings can run dry without lubrication. All of the materials are corrosion-proof. The conveyor rollers are completely corrosion-proof if polymer or stainless steel tubes are used.

Platform 1500 is specifically designed for use in hygienic areas and in areas at risk of corrosion. All of the bearing housings are sealed internally so that liquids or other substances cannot penetrate the rollers. The conveyor rollers can be cleaned with conventional detergents.

Please refer to p 226 for the properties and applications of polymer.

Max. conveyor speed at a diameter of 30 mm	0.3 m/s
Max. conveyor speed at a diameter of 50 mm	0.8 m/s
Max. load capacity	120 N
Temperature range	-10 to +40 °C

- Slide Bearing Conveyor Roller Series 1500 p 36
- OmniWheel Series 2500 p 152

Applications

Ball bearings  
and materials

Properties

Associated  
Conveyor Roller  
Series

Applications

Ball bearings  
and materials

Properties

Associated  
Conveyor Roller  
Series

Applications

Ball bearings  
and materials

Properties

Associated  
Conveyor Roller  
Series



# PLATFORMS

## Platform 1700 for Universal Use

- For driven and non-driven conveyors
- For particularly light conveyance at high conveyor speeds
- For lightweight and medium-heavy materials to be transported
- Large number of applications

The ball bearings are sealed DIN precision ball bearings 6002 2RZ, 689 2Z and 6003 2RZ. All of the ball bearings are greased with a silicon-free lubricant and have a secure bearing housing in the base of the roller thanks to a snap-on edge. The ball bearing 6002 2RZ is also available as an oiled version and in stainless steel.

The integral polypropylene seal is fixed in the internal ring of the ball bearing and has three functions:

- Protecting the ball bearing from coarse dirt and spray water
- Diameter compensation between the shaft and the internal ring of the ball bearing
- Diverting axial forces into the ball bearing

Platform 1700 is designed for high loads at very low noise levels and provides the ultimate in applicational flexibility. The bearing design comprising polyamide bearing housing, precision ball bearing and a polypropylene or POM seal produces an extremely quiet conveyor roller, which can simultaneously carry heavy loads.

The bearing housings and the belt drive heads are incorporated in a form-fit manner into the tubes in the standard version. The unique feature about this platform 1700 is the tapered shaft-shuttle, which combines the benefits of a female threaded shaft and a spring-loaded shaft (cf. shaft-shuttle shaft design p 202).

Please refer to p 226 for the properties and applications of polymer.

Max. conveyor speed	2.0 m/s
Max. load capacity	3,000 N
Temperature range	-5 to +40 °C

- Universal Conveyor Roller Series 1700 p 38
- Universal Conveyor Roller Series 1700 light p 18
- Tapered Conveyor Roller Series 1700KXO p 46
- Fixed Drive Conveyor Roller Series 3500 p 50
- Tapered Conveyor Roller Series 3500KXO p 58
- Tapered Conveyor Roller Series 3500 KXO light p 22
- Fixed Drive Conveyor Roller Series 3560 p 62
- Friction Conveyor Roller Series 3800 p 66
- Double Friction Conveyor Roller Series 3860 p 74
- Double Friction Conveyor Roller Series 3870 p 78
- RollerDrive 24 V DC p 82

## Platform 1450 for the Heaviest Loads

- For driven and non-driven conveyors
- For particularly heavy-duty loads and heavy individual loads
- Suitable for extreme temperatures with steel bearing housings

The standard version bearings are precision ball bearings 6205 2RZ or 6204 2RZ. The drive elements, such as sprockets or toothed belt heads, are made of fibreglass-reinforced polyamide or POM in Series 3600 and are made of steel in Series 3950. The bearing seat on the non-driven side and the seal are made of polyamide.

Platform 1450 is specifically designed for very high loads caused by heavy individual weights. One version is designed for refrigerated applications.

The technopolymer drive elements are designed to be twist-proof by being joined to the tube in a form-fit manner. The steel drive heads and flanges are all galvanized zinc-plated after being welded to the tube for optimum corrosion protection. All of the welds run right around the tube, not just in certain areas.

Please refer to p 226 for the properties and applications of polymer.

Max. conveyor speed	0.5 m/s
Max. load capacity	5,000 N
Temperature range of standard version	-5 to +40 °C
Temperature range of steel bearing housing	-28 to +40 °C

- Heavy-Duty Conveyor Roller Series 1450 p 118
- Heavy-Duty Conveyor Roller Series 3600 p 126
- Heavy-Duty Conveyor Roller Series 3950 p 130

**Applications**

**Ball bearings and materials**

**Properties**

**Associated Conveyor Roller Series**

**Applications**

**Ball bearings and materials**

**Properties**

**Associated Conveyor Roller Series**

# TUBES

## Tube Materials

The tube material and tube diameter determine the load capacity and operation of the conveyor rollers. The following section outlines the tube materials steel, aluminium and polymer, together with their advantages and disadvantages.

- Best strength and flexural strength of all tube materials
- Corrosion protection can be provided by zinc plating or the use of stainless steel
- Sprockets and flanges can be welded onto the tube

Steel tubes used on Interroll conveyor rollers are manufactured in accordance with DIN EN 10305+1 and DIN EN 10305-3 with limited tolerances (as specified by Interroll).

**Other versions:** Tubes with grooves, tubes with flexible sleeves, rubberised tubes, surface-hardened tubes, brushed stainless tubes.

When belt conveyors are used, there is noise caused by the pared tube welds coming into contact with the belt. Interroll therefore recommends that the plant constructor tests the relevant application.

- Significantly lighter than steel tube
- Corrosion-resistant

Aluminium tubes have slightly lower strength and only about one third of the flexural strength of steel tubes. However, they weigh only 36 % of the weight of comparable steel tubes.

Aluminium tubes up to and including a diameter of 30 mm have anodised surfaces. Aluminium tubes with a diameter of 50 mm are not anodised and can therefore discharge electrostatic charges via the connection with the roller shaft.

- Sound reduction
- Highly impact-resistant
- Lower weight
- Corrosion-resistant
- Easy to clean

Polymer tubes have a significantly lower load capacity compared with steel tubes with the same diameter.

On tubes with a diameter of more than 30 mm, the bearing assemblies are joined to the tube in a form-fit manner thus ensuring a completely secure seating.

## Tube sleeves

A tube sleeve is recommended to improve the tube surface for specific applications:

- Push-on sleeves (PVC and PU)
- Rubber coating
- Hardened tube surface
- Brushed stainless steel tubes

### PVC push-on sleeves

- For especially good noise levels
- As protection for sensitive material to be transported
- For significantly improved conveyance and sorting of the materials to be transported
- For conveyor rollers with a diameter of more than 30 mm to max. 1,700 mm in length
- Only suitable for zinc-plated steel tubes and stainless steel tubes

The tube is blown onto the conveyor roller - it is therefore not glued on. In this process, the completely finished conveyor roller is pushed by a pneumatic pressing machine into the tube, which has been expanded with compressed air. Then the sleeve is cut to the length of the tube or to the specified dimension (A - D).

Even conveyor rollers with welded drive elements can be encased in a PVC sleeve if the diameter of the drive element is not more than 10 mm larger than the bearing tube.

- Improved conveyance of the material on the conveyor due to the significantly improved coefficient of friction of the PVC surface compared with a steel surface
- Higher peripheral velocity due to the larger external diameter and thus improved sorting of the material to be transported at the same speed

Material	Soft PVC Processing agents Silicone- and halogen-free Non-food safe and non-conductive
Resistance	Not oil- and petrol-resistant
Hardness	63 ± 5 Shore A
Colour	Dust grey, RAL 7037, matt
Tube diameter	30, 40, 50, 60, 80 mm
Wall thickness	2 mm, 5 mm
Temperature range	-25 to +50 °C Risk of fracture when cold at -30 °C

Should the sleeve not be intended to cover the entire tube length, the relevant dimensions for the sleeve should be specified when ordering. Often clearance is needed for grooving, drive belts etc., for example. If no dimensions are specified, the sleeve will be cut so that it covers the entire length of the tube.

The minimum width of the sleeve is 50 mm in order to ensure that the sleeve sits firmly. In individual cases, a greater width may have to be selected if axial forces are to be exerted on the sleeve, e. g. in the event of lateral displacement or lateral feed.

Applications

Procedure

Properties

Ordering  
information

Steel

Aluminium

PVC

# TUBES

Properties

Applications

Procedure

Properties

Hardness test

Applications

**PU Push-on sleeves**

- For sound attenuation, particularly with steel containers
- As protection for sensitive material to be transported
- For slightly improved conveyance and sorting of the materials to be transported
- For conveyor rollers with a diameter of 50 mm up to 1,700 mm in length
- Only suitable for zinc-plated steel tubes and stainless steel tubes

Procedure

The tube is blown onto the conveyor roller - it is therefore not glued on. In this process, the completely finished conveyor roller is pushed by a pneumatic pressing machine into the tube, which has been expanded with compressed air. Then the sleeve is cut to the length of the tube or to the specified dimension (A - D).

Properties

- Significantly more rigid than PVC sleeves
- Slightly improved conveyance of the material to be transported due to the improved coefficient of friction of the PU surface compared with a steel surface
- Higher peripheral velocity due to the larger external diameter and thus improved sorting of the materials to be transported at the same speed

Material	Polyurethane, softener-free, stabiliser-free Silicone- and halogen-free Food-safe (according to FDA)
Resistance	Oil- and grease-resistant
Hardness	75 ± 5 Shore A
Colour	Black, RAL 9005, gloss
Tube diameter	50 mm
Permissible deviation of internal diameter	47 ± 1.00 mm
Wall thickness of PU sleeve	2 mm
Permissible deviation of wall thickness	2 +0.30 mm / -0 mm
Temperature range	-25 to +80 °C

**Rubber coating**

Applications

- For noise reduction
- As protection for medium-heavy and heavy materials to be transported
- For the improved conveyance and sorting of the materials to be transported
- For heavy loads
- For applications, which require highly abrasion-resistant surfaces
- For conveyor rollers with uncoated steel, ground surfaces of up to max. 1,250 mm in length

Procedure

The rubber coating is applied in a curing process, which produces a high-strength joint between the rubber coating (NBR) and the tube. This produces a highly abrasion-resistant surface. The projecting sections of tube and the drive heads are protected from corrosion by a black paint finish.

- Significantly higher load capacity than with push-on sleeves
- Exceptionally small diameter tolerances
- Application-dependent chemical resistance

Hardness	65 ± 5 Shore A
Resistance	
Oil/grease, petrol	-
Alkali	+
Aromatics	-
Ketones	+
Acids	+
Colour	Black
Tube diameter	30, 40, 50, 60, 80, 89 mm
Wall thickness	2, 3, 4, 5 mm
Diameter tolerance (ground)	+0.50 mm / -0 mm
Temperature range	Up to +100 °C

**Hardened tube surfaces**

- For higher load capacity on steel tube rollers, e. g. for steel containers
- For conveyor rollers up to a maximum of 2,600 mm in length

The tube surface is hardened by nitro carbonation. The layer thickness is approx. 10 to 20 µm. The hardened surface is matt, light grey and scale-free. Subsequent grinding is not required and is not offered by Interroll.

The bearing housings are pre-flanged with tube wall thickness of up to 1.5 mm, and with greater wall thicknesses, bearing housings with a straight seating in the tube are used.

- Abrasion-resistant surfaces
- Excellent continuous vibration resistance
- Good sliding properties
- Excellent temperature resistance
- Low warpage
- Good corrosion resistance
- Not suitable for zinc plating

The hardness test on nitro-carburated layers is conducted according to the Vickers process (HV). 50 N has proved itself as a suitable test load (HV5). Higher test loads can result in falsified readings, as the core hardness has a significant effect on the test results. The hardness in the peripheral zone of 10 - 20 µm is approx. 650 - 700 HV1 (57 - 60 HRC).



# TUBES

Properties

Applications

**Brushed stainless steel tubes**

- For visually uniform surfaces
- For improved conveyance of the materials to be transported
- For long-lasting corrosion resistance

Procedure

The finished sawn tubes are conveyed sideways past a belt grinder, resulting in an evenly brushed surface. The roughness of the surface is increased by the grinding, thereby improving the conveyance of the materials to be transported. The tolerances with regard to roundness or concentric precision are unaffected by this.

Properties

The brushing removes deviations in colour and differences in the sheen of the surfaces as well as any printing of material classifications.

Tube diameter	30, 40, 50, 60, 80, 89 mm
Max. roller length up to a diameter of 50 mm	1,500 mm
Max. roller length above a diameter of 50 mm	1,000 mm

## Corrosion Protection

The following is available as corrosion protection:

- Zinc plating of steel tubes
- Stainless steel tubes as especially durable protection

**Zinc plating**

Applications

- Cost-effective corrosion protection
- For dry areas with normal temperatures
- Limited suitability for environments with salt and humidity, e. g. installations in harbour areas or in sub-tropical countries
- Limited suitability for the transport of damp/wet materials

Procedure

The surface of the material is zinc plated galvanically by electrolysis. The electrolysis produces an extremely even, thin sleeve. The entire process involves pre-treatment, zinc plating, passivation and drying.

Galvanized zinc plating produces temporary protection from corrosion of both the zinc and the iron. The duration of the corrosion protection is affected by the mechanical and thermal loads to which it is subjected. Zinc plated surfaces are sensitive to scratching and abrasion. Damage can result in point corrosion.

Extreme changes in temperature must be avoided as they can cause internal tension. Furthermore, corrosion resistance becomes reduced as the temperature rises.

In order to maintain the limited protective effects of zinc plating, special packaging must be used for sea freight, for example. Special measures must also be employed if the materials are to be stored for a longer period of time. Zinc plating is not food-compatible.

A zinc plated and passivated surfaced reacts with:

- Air humidity
- Acidic environments (exhaust fumes, salts, wood acid etc.)
- Alkaline substances (lime, chalk, cleaning agents, COs)
- Perspiration
- Solutions of other metals (copper, iron etc.)

Layer thickness	6 to 15 µm
Passivation	Additional blue passivation (chromium(IV)-free)
Standards complied with	DIN EN 12329 DIN 50961 Sleeve complies with RoHS regulations
Temperature range	-40 to +200 °C

**Stainless steel tubes**

- Long-lasting corrosion protection
- Aggressive environments
- Moist areas

Stainless steel tubes provide lasting protection against corrosion and extended chemical resistance.

Tube diameter	30, 40, 50, 60, 80, 89 mm
Material	1.4301 (X5CrNi18-10)

Applications

Properties

# TUBES

## Tubes with Flanges

- To prevent the lateral displacement of the materials to be transported

To ensure steady side guidance, all of the flanges are welded all-round with the tube.

The number of flanges and the roller pitch has to be selected in such a way that at least two flanges always guide the material to be transported at any time.

Tube diameter | 50, 60, 80, 89 mm



## Tubes with Grooves

- For driven conveyors with round belts

Grooving refers to running grooves to guide round belts underneath the surface of the tube. A differentiation is made on conveyors with round belts between roller-to-roller belts and roller-to-roller with a driven shaft running continuously underneath the conveyor rollers (line shaft, upright shaft).

Interroll recommends the Universal Conveyor Roller Series 1700 with grooves for round belt drives:

- With antistatic conveyor rollers
- Max. conveyor force of the round belt 300 N
- The maximum load capacity per conveyor roller with grooves is 300 N, owing to the poor conveying power of the round belt.
- The maximum load capacity of the conveyor roller is lower with tube lengths of greater than 1,400 mm
- Interroll recommends a shaft version that is secured against twisting for round belt drives, such as the female threaded shaft

Grooves can impair the concentric precision of conveyor rollers. Interroll recommends conveyor rollers with round belt heads or PolyVee drive heads of the Fixed Drive Conveyor Roller Series 3500 to ensure that concentric precision is adhered to (p 209).

Please refer to p 43 for the standard positions of the grooves on the tube.

# BEARING

A number of different bearings are available for many Interroll conveyor rollers. The following section only describes the precision ball bearings used by Interroll.

Further information on the bearing assemblies (ball bearings with bearing housings and seals) is provided in the Platforms chapter (p 174) and in the Material Specification in the Bearings chapter (p 223).

All of the precision ball bearings, with the exception of type 689, are manufactured in 2RZ:

The steel sealing discs form a narrow sealing gap and make no contact, thus ensuring that the rollers start up perfectly. The steel-reinforced rubber sealing lips (NBR) lie against the inner ring under external pressure and thus provide an exceptional sealing quality comparable to the 2RS version.

The oil-lubricated version is characterised by its easy start and exceptional easy-running properties.

## DIN 625-Compliant Precision Ball Bearings

- Series 60 and 62 standard DIN grooved ball bearings
- Excellent load capacity and operational life
- Precision ball race
- Extremely temperature-resistant
- Low-noise operation

All precision ball bearings are specified by Interroll beyond the requirements of DIN 625 for optimum, durable and absolutely constant operation. Interroll specifies the bearing play, lubrication and sealing etc.

### Precision ball bearings, lubricated (6002 2RZ, 6003 2RZ, 6204 2RZ, 6205 2RZ, 689 2Z)

Material	Rings and balls are made of stainless steel of material grade 100Cr6 Hardness: 61 ± 2 HRC, with metal cages
Bearing play	C3
2RZ Seal	Non-grinding 2-lip seal with labyrinth effect manufactured from steel-reinforced acrylonitrile-butadiene rubber (NBR)
2Z Seal	Non-grinding cover discs made of sheet steel
Lubrication	Multi-grade grease, silicon-free
Temperature range	-30 °C to +177 °C

### Precision ball bearing, lubricated (6002 2RZ)

Material	Rings and balls are made of stainless steel of material grade 100Cr6 Hardness: 61 ± 2 HRC, with metal cages
Bearing play	C3
2RZ Seal	Non-grinding 2-lip seal with labyrinth effect manufactured from steel-reinforced acrylonitrile-butadiene rubber (NBR)
Lubrication	Multi-grade oil, silicon-free
Temperature range	-30 °C to +80 °C

## DIN 625-Compliant Precision Stainless Steel Ball Bearings

- Design and load capacity as per the DIN 625-compliant precision ball bearings
- Manufactured throughout from corrosion-proof material
- Type 6002 2RZ always available

### Precision ball bearings made of stainless steel (6002 2RZ)

Material	Rings and ball made of stainless steel, material 1.4125 (X105CrMo17), with a material grade to comply with AISI 440C Hardness: 56 ± 2 HRC, with polyamide cages
Bearing play	C3
2RZ Seal	Non-grinding 2-lip seal with labyrinth effect manufactured from steel-reinforced acrylonitrile-butadiene rubber (NBR)
Lubrication	Multi-grade grease, silicon-free
Temperature range	-30 °C to +177 °C



# DRIVES

A differentiation is made with drives between the medium and the type of power transmission.

Interroll offers the following as the medium of power transmission:

- Chain
- Toothed belt
- PolyVee belt (multi-rib belt)
- Round belt
- Flat belt

Interroll offers the 24 V DC RollerDrive as a motorised drive integrated within the conveyor roller.

In principle, there are two possible types of power transmission:

- **Tangential:** Via a chain running along the side of the conveyor
- **Roller-to-roller:** Roller-to-roller

Both types can be designed as friction and fixed drives.

The following section describes the drives and their properties.

## Drive Selection for Conveyor Rollers

### Chain

The chain is a tried and trusted method for driving conveyor rollers and conveyor elements in conveyor technology. Chains are characterised by their robustness and durability and are not sensitive to dirt and environmental influences. Very high levels of power can be transmitted with a chain.

Chains are not maintenance-free and are relatively loud in operation. They must be lubricated regularly in order to achieve an optimum service life. Speeds of more than 0.5 m/s are not recommended due to the seriously increasing noise level.

The tangential chain drive is characterised by its good level of efficiency and simple design.

The installation length of the conveyor roller is shorter than for a roller-to-roller drive, as the drive head consists solely of a sprocket. A single chain drives all of the rollers in a conveyor. The chain is guided extremely precisely to the sprockets by a chain guide profile made of special plastic.

The sprockets are mounted in a fixed manner on the conveyor rollers. The teeth of the sprockets mesh into the chain and only transfer the driving power required for the individual roller. The chain can be guided either along the top or bottom of the conveyor rollers. The precise positioning of the chain guide in relation to the conveyor rollers is extremely important. The maximum play in terms of height is 0.5 mm.

The motor station to be driven is installed in such a way that the driving side of the chain is as short as possible. It is advisable to provide the motor station with additional equipment for adjusting the chain tension. Return rollers, which have to carry not only the load of the material to be transported, but also the chain traction forces, must be

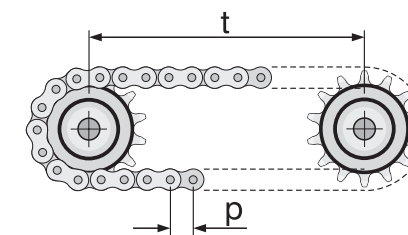
checked specifically with regard to their permissible bearing load. The driven conveyor length is restricted by the permissible breaking load of the chain or by the weight of the material to be transported.

The roller spacing (roller pitch) can be selected as required with tangential drives. Compared with roller-to-roller drives, the conveyor rollers are easy to fit and remove with tangential drives.

With this type of drive, every conveyor roller is connected to the next one by a chain. The conveyor rollers thus require drive heads with two sprockets, which require greater meshing protection than with tangential drives.

No chain guide is required. The roller spacing (pitch) is subject to tight tolerances, as the spacing depends on the pitch of the chain. The maximum conveyor length that can be driven by one motor station is limited by the permissible breaking load of the chain. The chain is subjected to its maximum load at the motor station. The tolerances for the conveyor roller pitch  $t$  and the breaking loads are shown in the following table.

Chain pitch "	P mm	Tolerance for t mm	Breaking load N
3/8	9.52	0 to -0.4	9,100
1/2	12.70	0 to -0.5	18,200
5/8	15.88	0 to -0.7	22,700
3/4	19.05	0 to -0.8	29,500
1	25.40	0 to -1.0	58,000



In order to keep the chain forces as low as possible, the drive station must be positioned in the middle of the conveyor length. When designing the drive station, it is essential to ensure that the sprockets have at least a 180° deflection and that the chain can be retensioned.

### Roller-to-roller drive

### Tangential drive

# DRIVES

## Toothed belt

The toothed belt is maintenance-free and runs very quietly. No lubrication and retensioning is required.

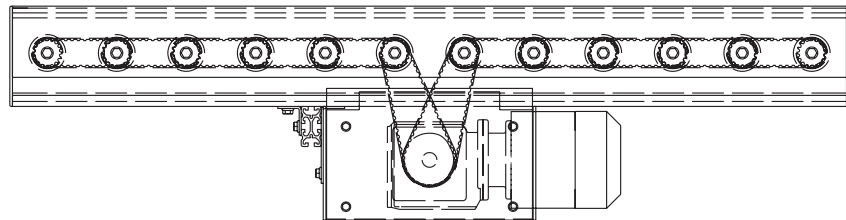
However, the profile pitch has to be very precise as the meshing is form-fit with the profile of the drive head. Otherwise the service life of the toothed belt will be dramatically reduced. The tolerances for the holes differ immensely among the toothed belt manufacturers. Interroll therefore recommends obtaining precise tolerances from the manufacturers.

The toothed belt is only used infrequently in container conveyor technology as its efficiency is relatively poor, due to the construction of the belt, and a large proportion of the driving power is used by the belt. Toothed belt drives are primarily used in the conveyance of pallets or in the automotive industry for the transportation of special carriers. The poor efficiency of the belt in relation to the total drive power is relatively immaterial in these instances.

The toothed belt is fundamentally unable to negotiate curves.

Tangentially the toothed belt should only be used for relatively low levels of power. It is essential to ensure that a special guide presses the belt securely onto the drive head. When used tangentially, the level of efficiency of the toothed belt is significantly higher than when used in roller-to-roller applications.

Toothed belts are primarily used with roller-to-roller drives. High torque can be achieved at high speed with these drives. The disadvantage with these drives is their susceptibility to dirt and the essential requirement relating to the precision of the hole in the side profile.



## PolyVee Belts (multi-rib belts)

Only PolyVee belts with flexible traction carriers may be used in conveyors. These belts are sufficiently flexible and simplify installation. The flexibility of the traction carrier makes it possible to overcome hole tolerances in the side profile and to use the PolyVee belt in curves.

PolyVee belts offer significant benefits over round belts. With up to 300 % higher torque transmission, the drive power is transmitted evenly to all conveyor rollers. This means that shorter acceleration and braking paths are possible.

PolyVee belts also permit reliable accumulation in curves. Thanks to the belt's outstanding torque transmission, the material to be transported start up again, irrespective of whether or not they have come to a standstill on a drive.

The PolyVee belt works in the same way on rising and falling conveyors. Here the even torque transmission to all conveyor rollers is especially important with the result that the material to be transported retains as large a driven contact area as possible. Reliable conveyors can be constructed in conjunction with PVC sleeve-covered tubes.

Thanks to its particularly compact design, the PolyVee head enables the torque transmission to be positioned very close to the profile. This leaves more room for the materials to be transported with the same overall width of conveyor. As the belts do not come into contact with the material to be transported, even very lightweight materials to be transported are not displaced but always run perpendicular to the conveyor rollers.

- Flexible standard belts, pre-tension 1 to 3 %
- PJ form; ISO 9982; DIN 7867; Pitch 2.34 mm
- Belts with up to 4 ribs can be used (2 x 4 ribs + 1 distance groove)

The PolyVee belt is fundamentally only used in conveyors with roller-to-roller drives, as no useful torque transmission can be achieved tangentially.

Owing to the higher pre-tension of the PolyVee belt compared with round belts, Interroll recommends the use of an assembly tool to install the conveyor rollers.



Tangential drive

Roller-to-roller drive

Roller-to-roller drive

# DRIVES

The assembly tool considerably simplifies the installation of the belt as the correct distance of the conveyor rollers can be adjusted by hand.

Owing to the serious conveyor force of PolyVee belts, they have to be protected against interference from outside, e. g. by covering or sealing the gap between the conveyor rollers.

Two versions of PolyVee belts are primarily used:

- Two-ribbed PolyVee belts for the conveyance of materials to be transported under 50 kg and at speeds of 0.6 to 2 m/s. The maximum number of idlers is 20. The material to be transported can also come to a stop on the idlers.
- Three-ribbed PolyVee belts are used for heavy materials to be transported. Three-ribbed belts fully use the drive power and are also suitable for long conveyors and for inclined sections.

With PolyVee conveyors with more than 15 conveyor rollers, there is a reduction in speed of one revolution per minute with each conveyor roller. There are geometric reasons for this: Owing to the displacement of the neutral fibres in the PolyVee belt, there is a kind of translation from roller to roller under pressure. The reduction in speed is due to the system and is not accompanied by an increase in wear and tear.

## Round belt

The round belt is a widely-used method of torque transmission in conveyors. It is characterised by simple handling during installation and low costs. The disadvantage of these belts is their poor power transmission and relatively short operational lifespan.

There are two available versions of roller-to-roller round belts:

- Roller-to-roller
- With driveshaft

The conveyor rollers do not need drive elements when used on straight conveyors. The round belt then runs on the smooth tube. Gravity makes the conveyor rollers lie on the belt, which displaces them in a rotational movement. The power transmission is relatively poor. A tensioning element must be provided at the motor station.

Thanks to their symmetrical cross-section, round belts are also ideal as a drive for curves. Then return rollers have to be fitted, which reliably link and return the round belt to all of the conveyor rollers.

This is one of the most common uses of round belts. One round belt always connects two conveyor rollers. It usually runs in round grooves in the roller. Installation is simple and requires no additional tools. When installing a conveyor, it is essential to ensure that the material to be transported always has direct contact with a drive roller, e. g. a RollerDrive.



This is also a very common use of round belts. In this case, the entire conveyor is moved by a driveshaft running at right angles underneath the conveyor track. Special wheels are fitted on the drive shaft. The wheels drive all of the conveyor rollers with round belts, which are turned at 90°. Every conveyor roller generally only has one round groove. The wheels can either be fixed or sit loosely on the driveshaft.

A loose connection produces a low pressure accumulation conveyor. It must be ensured that the round belt never slips through as this could significantly shorten its service life. For this reason the wheels should not be fixed to a driveshaft on an accumulation conveyor.

## Flat belt

Flat belts are commonly used as a drive for roller conveyors, as they have a simple design and require very little maintenance.

A roller-to-roller drive with a flat belt is not sensible.

The flat belt runs underneath the roller conveyor and is pressed against the rollers by pressure rollers. The pressure rollers are positioned at a spacing of at most four conveyor rollers. The pressure rollers also return the flat belt.

On accumulation conveyors, the height of the pressure rollers has to be adjusted extremely precisely so that the flat belt can slip past the pressure roller, without causing above-average wear and tear.

The flat belt must be pre-tensioned by a tensioning device to approx. 1 %. The belt is generally driven by an AC gear motor, located underneath the roller conveyor.

The drive power is in many cases transmitted more reliably if the loop angle of the flat belt on the drive drum on the AC gear motor can be increased with narrowing wheels.

The conveyor rollers require no special drive heads and smooth tubes can be used.

Roller-to-roller  
drive with dri-  
veshaft

Tangential drive

Tangential drive

Roller-to-roller  
drive



# DRIVES

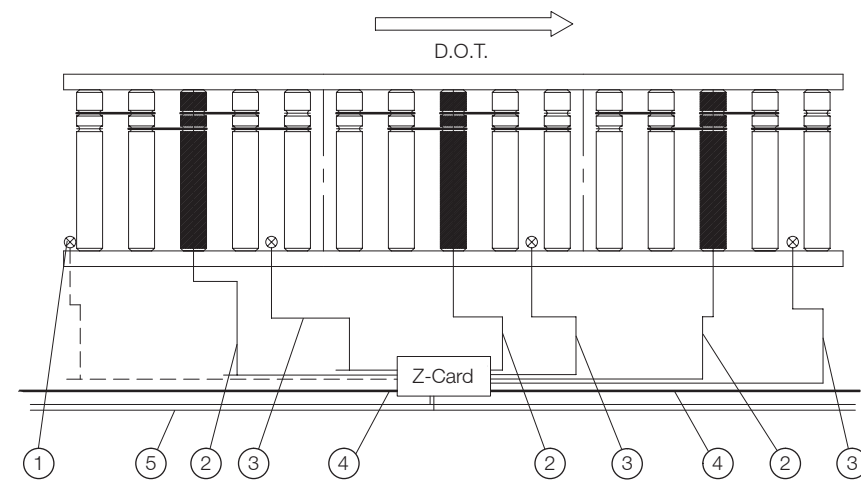
## RollerDrive drive selection

The RollerDrive is often used on zero pressure accumulation conveyors.

The principle of ZPA (Zero Pressure Accumulation) conveyors is based on the segmentation of the conveyor into zones. The zone length is determined by the length of the package to be conveyed plus its run-on. One zone essentially comprises a RollerDrive, a sensor, idlers (rollers without their own drive), torque transmission belt and a controller.

A typical ZPA conveyor consists of a number of zones, such as this, which communicate with each other by means of ZoneControls, and ensure that only a minimal number of RollerDrives are in operation, or as many as are needed to transport the material to be conveyed.

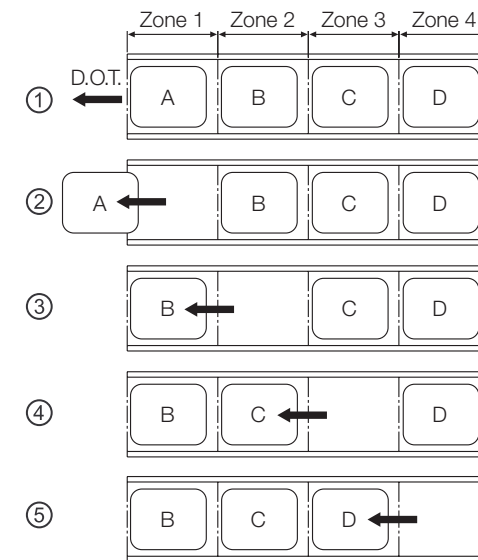
This zonal principle thus differs fundamentally from conventionally driven conveyors, on which the central drive is running constantly, thus creating substantial energy consumption. The ZPA principle guarantees excellent availability of the materials to be conveyed at the discharge point. It is primarily used where the feed frequency runs asynchronously to the picking frequency of the material to be conveyed on the conveyors. The ZPA principle thus acts as a buffer.



- 1 Start photo cell (optional)
- 2 RollerDrive connection
- 3 Photo cell connection
- 4 Communication cable (Easy-Bus)
- 5 24 V bus system

The following diagrams show two examples of zone control.

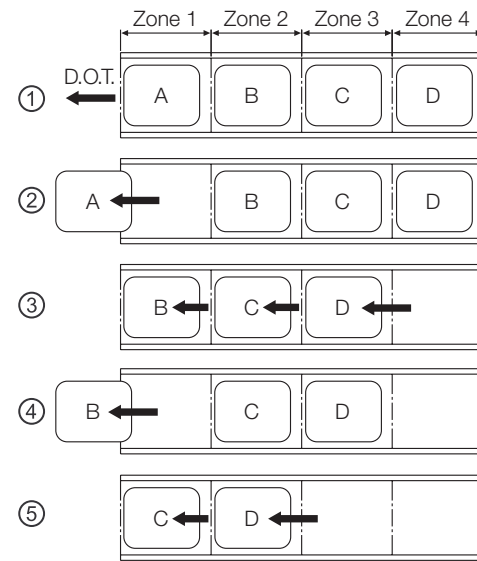
In **individual pull-off mode**, a control PCB communicates with an upstream and a downstream zone.



- 1 Zone 1 receives a start signal.
- 2 Container A leaves the conveyor segment.
- 3 Zone 2 receives a start signal from Zone 1. Container B moves to Zone 1.
- 4 Zone 3 receives a start signal from Zone 2. Container C moves to Zone 2.
- 5 Zone 4 receives a start signal from Zone 3. Container D moves to Zone 3.

# DRIVES

In **block pull-off mode**, a control PCB can receive a start/accumulation signal from the furthest away downstream zone and then gives a start/accumulation signal to the furthest away upstream zone. The following example shows zone 1 in individual pull-off mode.



- 1 Zone 1 receives a start signal.
- 2 Container A leaves the conveyor segment.
- 3 Zone 1 gives a start signal to the upstream zones 2, 3 and 4. Containers B, C and D move forwards.
- 4 Zone 1 receives a start signal and container B leaves the roller conveyor section.
- 5 Zone 1 gives a start signal to the upstream zones 2, 3 and 4. Containers C and D move forwards.

With a continuous power output of 11 W, the BT100 represents the first unit in the RollerDrive range. It is the optimum solution for applications with lower throughputs. Due to the simplicity of its control, the BT100 can be integrated simply and easily into the most diverse schemes.

No special controller with current limitation is needed. With an operational lifetime of 6,000 hours, the BT100 can convey up to 14 million items over an average zone length. Operating at a noise level of 47 dB(A), the BT100 is the quietest RollerDrive. This is achieved by means of a single- and two-stage helical polymer gear box and decoupling.

The RollerDrive BT100 is widely used for returning empty containers, accumulation sections, buffer sections and for supply for order picking. Many IP66-compliant applications can also be achieved. Owing to its very low noise level, the BT100 is ideally suited for applications in assembly plants, where the automated conveyor is often the only moving mechanism.

The BT100 represents a particularly cost-effective and attractive solution when combined with the BT Z-Card 4-zone accumulation controller. For more information on the Z-Card BT refer to p 112.

The RollerDrive EC310 is the best choice for a wide range of applications. The product portfolio has been significantly shored up in the electronically commutated sector to provide a product and control range for practically all applications. With a mechanical output of 32 watts and new and different gear stages, it is now possible to coordinate the drive perfectly with the application.

Energy recovery is the key to optimising the motor. When the EC310 switches to braking mode, this means that there is no longer a driving signal at the drive so that the movement energy of the materials being conveyed is converted into electrical current. This is then returned to the DC mains and is again available to other RollerDrives and consumers. With all RollerDrive models to date, the motor winding is used as braking resistance and thus the movement energy of the materials being conveyed are purely converted into heat in the motor. This results in the thermal balance of a drive such as this being additionally impacted by the braking. It has been possible with the EC310 to remove this energy from the drive and reuse it. Under the best conditions in cyclical operation, this provides an energy saving of approx. 30%.

At the same time the drive heats up considerably less. The braking and acceleration power of the RollerDrive EC310 is also significantly superior to other 24 V drives. In order to prevent harmfully high voltage building up in the DC mains and thereby possibly damaging other connected components, all Interroll controls (DriveControl 20, DriveControl 54 and ZoneControl) include brake choppers. A brake chopper is a voltage-switched load resistance that is activated when a DC bus voltage of 27 V is exceeded and prevent the voltage from rising above 30 V. In the majority of applications, the chopper does not become active as there are several consumers on a power unit and the energy that is fed back is absorbed and does not lead to an increase in voltage in the DC mains.

RollerDrive  
EC310

RollerDrive  
BT100

# DRIVES

## Fixed drive

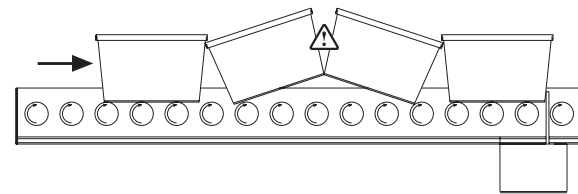
The fixed drive is characterised by a form-fit and force-fit connection between the drive head and the load-bearing tube. There is no friction, the drive torque is fully transmitted. Slippage within the power transmission is not anticipated.

## Friction drive

The friction drive is based on the principle of the slip coupling. It offers the option of setting up an accumulation conveyor very cost-effectively with minimal accumulation pressure.

The construction thus requires very few drives, with segmentation being provided by mechanical stoppers. The bearing housing of the Series 3800 is designed as a greased-for-life slip coupling and thus guarantees the roller's constant conveyor force. The tangential chain drive has proved itself to be especially economical when used on friction conveyors. A central drive drives a long chain underneath the conveyor so that all of the rollers are operated.

If an accumulation should occur, then the rollers under the material to be transported stand still and only the drive heads continue to rotate. It should be noted that the accumulation pressure is cumulative with the length of the accumulated material to be transported. In this way the containers are able to absorb the accumulation pressure without becoming deformed. The design should also prevent the containers from being prised out owing to the increasing accumulation pressure. The friction drive is available for straight conveyor segments and also for curves.



The conveyor force produced by friction by the friction roller regulates itself relative to the weight of the material to be transported. The conveyor force is seriously affected by the following factors:

- Weight of the material to be transported
- Condition of the base of the material to be transported
- Humidity
- Temperature
- Percentage of accumulation mode over the entire running time

These factors have, to an extent, a considerable effect on the operation and operational lifespan of the conveyor roller. Accumulation mode should only be used for as long as is necessary. When it can be seen that no conveyance will take place, then the central drive should be switched off. No energy will be used and the lifespan of the conveyor system will be increased. We would recommend discussing your individual application with Interroll experts and also conducting an operational test with the original materials to be transported.

The following conveyor values are non-binding and relate to a normal environment (65 % relative air humidity and a temperature of +20 °C) and to the material to be transported sitting centrally on the conveyor rollers. The figures will be markedly different if the load centre is not central. The figures will fall the further the load centre is from the drive element. Even and stable bases of the materials to be transported are ideal so that each roller carries the material evenly.

The following conveyor power is produced depending on the roller load:

- 4 to 6 % with one-sided friction coupling and Ø conveyor roller 50 mm
- 2 to 5 % with one-sided friction coupling and Ø conveyor roller 60 mm
- 8 to 13 % with two-sided friction coupling and Ø conveyor roller 50 or 60 mm
- 4 to 6 % with load-dependent conveyance, adjustable up to approx. 12 % of the roller load by additional axially adjustable friction coupling

The permissible conveyor speed is 0.5 m/s. Flanges and other side guides are not recommended with friction rollers as the static friction produced may not be overcome by the conveyor force of the friction coupling. Accumulation in curves with friction rollers should always be avoided. If accumulation is to occur in curves, then only zero pressure accumulation systems, such as RollerDrives can be employed.



# SHAFTS

All Interroll uncoated steel and zinc-plated shafts are manufactured from cold drawn steel.

Zinc-plated shafts are cut from galvanized zinc-plated rod material, thus the front faces of the female threaded or spring-loaded shafts are always without zinc plating. Zinc plated male threaded or flatted shafts with a diameter of 17 mm or more are only zinc-plated as a component after machining. Male threaded or flatted shafts with smaller shaft cross-sections are not zinc-plated but rather manufactured from stainless steel.

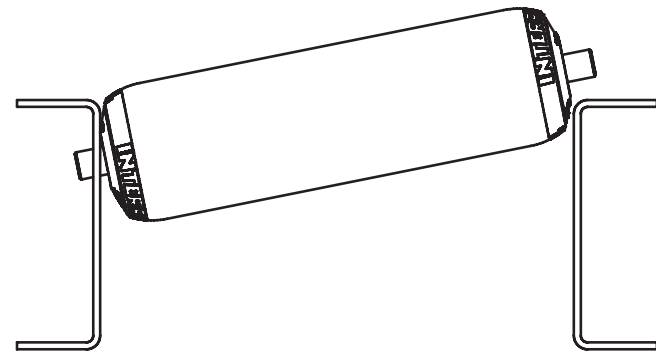
All shafts are sawn and milled to ensure that the shaft ends are perfect. This avoid problems when fitting the shafts or from deformed shaft ends caused by trimming the shafts with cutters.

With threaded holes, the centring holes are drilled in a first step to ensure the precise centring of the threaded hole in the shaft.

## Frame Profiles, Hole Dimensions and Shaft Selection

The following should be considered in relation to the selection of a shaft and construction of the frame profiles:

- The hole dimension of the frame profile should be as small as possible on rollers with female threaded shafts to minimise the height difference of the conveyor rollers. This enhances the operation of the roller conveyor.
- With aluminium profiles, female threaded shafts with as large a diameter as possible and as small a thread as possible should be selected. This minimises the risk of the shaft penetrating the aluminium profile.
- On conveyor rollers with spring-loaded shafts, it must be ensured when drilling the profile hole that the conveyor rollers will, by necessity, have to be fitted diagonally. Too small a hole could make installation significantly more difficult.



## Standard Shaft Versions



Conveyor rollers with spring-loaded shafts are the simplest version of shaft and are extremely quick to fit and remove. Suitable crosslinks have to be provided between the frame profiles to reinforce the conveyor.



Compared with spring-loaded shafts, female threaded shafts have a very stable frame construction and are significantly quieter than loosely assembled conveyor rollers. The roller shafts and profiles stabilise each other resulting in the conveyor rollers having a greater load capacity than loosely fitted rollers. These shafts take longer to fit and remove than spring-loaded shafts.

Spring-loaded  
shaft

Female  
threaded shaft

# SHAFTS

Shafts with  
shaft shuttle



The spring-loaded, tapered shaft shuttle combines the advantages of spring-loaded and female threaded shafts: quick to fit and a very low noise level.

The shaft shuttle permits the roller to be fitted free of play into conveyor profiles with 11 mm (+0.3 / 0.8 mm) hexagonal holes. The maximum roller length is 1,000 mm and the maximum load capacity is 350 N.

- Fits free of play, without wear and tear, in the profile (as with female threaded shafts)
- Minimal installation (as with spring-loaded shafts)
- Exceptionally low-noise operation
- Conductive material to discharge static charges
- Counter-aligned shuttles
- Both shafts ends are pressed in

## Further Shaft Versions



Flatted shafts have lateral, parallel milled sections at the shaft ends, which fit into corresponding profiles, for example into profiles with open longitudinal holes. They are therefore quicker to fit and remove but provide less stability than threaded shafts.

If corrosion protection is required, male threaded shafts and flatted shafts up to a diameter of 14 mm can be manufactured throughout from stainless steel material. The alternative to this would be piece zinc-plating following mechanical machining to provide complete corrosion protection for the shaft. Interroll provides this alternative with shafts above a diameter of 17 mm.

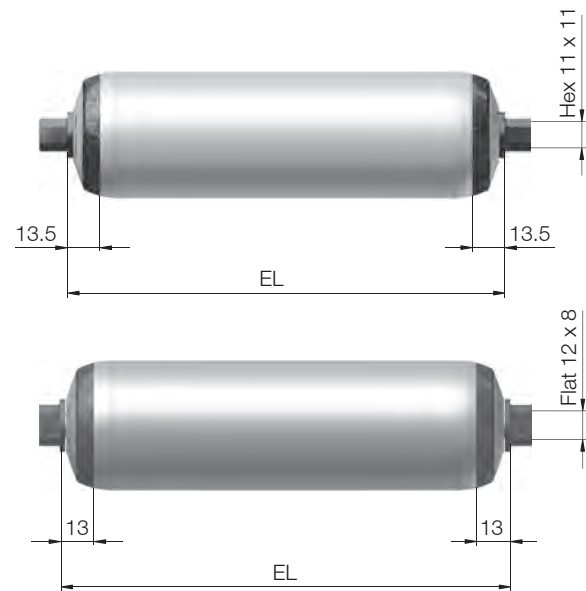
The following shaft versions for platforms 1100, 1200 and 1700 can be supplied with an extended shaft projection:

- Spring-loaded shaft
- Female threaded shaft
- Male threaded shaft
- Flatted shaft

Axial support by the seal can no longer be guaranteed with a variable shaft projection. With greater axial forces, for example where there is lateral displacement, suitable replacement structures, such as spacing tubes, may possibly have to be fitted.

# SHAFTS

## Shaft adapter



Shaft adapters reduce the noise level, especially with platform 1100 and 1700 conveyor rollers. The adapters have a joint, by means of which the installation length can be increased. Shaft adapters are suitable for rigid shafts in conjunction with profiles with open longitudinal holes. With these profiles, the conveyor rollers are laid in loosely from above. Interroll provides polymer adapters made of POM, which are designed to be conductive and thus prevent electrostatic charges.

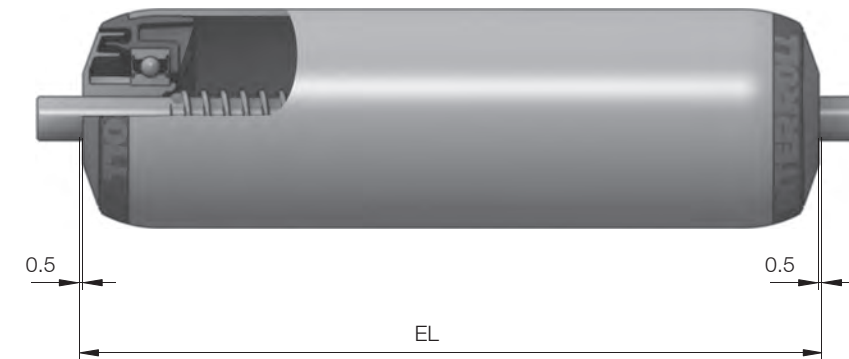
Adapter version for a shaft with diameter	For profile holes
8 mm	11 mm hex
10 mm	Flat 12 x 8

The differential dimension of the installation length (installation length (EL) to reference length (RL)) increases by 5 mm for an 8 mm shaft, and by 4 mm for a 10 mm shaft.

Shaft adapters are not a substitute for shaft shuttles.

## Axial Play

Axial play must be taken into consideration when fitting conveyor rollers so that the conveyor rollers can only move a minimal amount in an axial direction when under tension.



Interroll recommends a total axial play of 0.5 mm per roller side. This dimension has already been taken into account in calculating the reference length/ordering length.

With conveyor rollers with female threaded shafts, axial play is produced by the shaft projection towards the body of the roller.

The axial play stated by Interroll is only a guideline figure. There may be slight deviations from this figure in individual cases when production tolerances are added. Interroll guarantees the axial play and thus the operation of a correctly fitted and operated conveyor roller is not impaired.



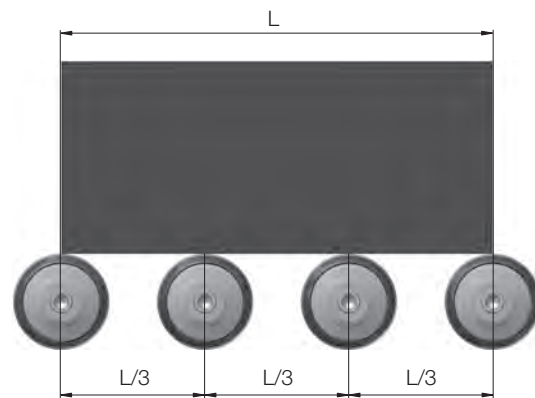
# STRAIGHT CONVEYOR SECTIONS

## Determining the Number of Conveyor Rollers

The number of conveyor rollers required is calculated from the total length of the conveyor section, divided by the pitch + 1. The pitch is the spacing between two conveyor rollers.

The pitch is determined by the length and type of materials to be transported and the load capacity of the conveyor rollers.

In principle at least three rollers must always sit under the material to be transported in order to ensure that it is conveyed smoothly. The pitch should therefore be at most one third of the length of the shortest material to be transported.



This rule of thumb only applies to the conveyance of materials to be transported with flat bases and to rollers with adequate load capacity. When pallets are to be conveyed, for example, the load is only carried by around 1/3 to 2/3 of the conveyor rollers underneath the pallet, owing to the properties of the pallet.

It is therefore necessary to check whether the load capacity of the conveyor rollers is adequate, taking into consideration the pitch and the properties of the materials to be transported (cf. Planning Basics p 170). A narrower pitch or conveyor rollers with a higher load capacity may possibly have to be opted for.

All other decisions relating to the choice of the optimum pitch are the responsibility of the plant constructor and can possibly only be answered by conducting tests.

## Determining the Load of the Conveyor Rollers

The load capacity of the conveyor rollers depends on the load capacity of the roller assemblies - tube, shaft and bearing.

The load capacity of the weakest assembly in each case determines the load capacity of the entire conveyor roller. The individual assemblies are compared in terms of their load capacity and calculated together to determine the load capacity of the conveyor roller.

The load capacity of the roller is decisively affected by its length, load distribution and shaft fixing.

The permissible load figures for conveyor rollers can be found in the corresponding tables on the product pages or alternatively calculated using the Interroll roller calculation program:  
[www.interroll.com/en/products/drives\\_and\\_rollers/conveyor\\_rollers/technical\\_information/roller\\_calculation](http://www.interroll.com/en/products/drives_and_rollers/conveyor_rollers/technical_information/roller_calculation)

The load capacity of driven conveyor rollers is often limited by other load limits, e.g. by the permissible loading on the drive chain and other drive elements or by the torque of the drive motor.

The maximum load capacity of a tube depends on two conditions:

- The flexural stress of the tube must be below the permitted material limit value
- The maximum deflection of the tube should not exceed 0.1 % of the installed length.

The flexural stress and deflection can be calculated using the following formulae:

$$\text{Flexural stress } \sigma = M_b/W = F \cdot EL/(8 \cdot W)$$

$$\text{Deflection } f_t = 5 \cdot F \cdot EL^3/(384 \cdot E \cdot I)$$

$M_b$	Bending torque
$W$	Section modulus
$F$	Load
$EL$	Installation length
$E$	Modulus of elasticity
$I$	Moment of inertia

The formulae and information on the load capacity relate to an even distribution of the load on the surface of the tube. Concentrated or even point loading must be taken into special consideration when selecting the tube.

**Maximum load capacity of the tube**

# STRAIGHT CONVEYOR SECTIONS

## Maximum load capacity of the shaft

The maximum load capacity of a shaft depends on two conditions:

- The flexural stress of the shaft must be below the permitted material limit values
- The deflection of the shaft must be below the permitted material limit value

The figures on load capacity only differentiate between two shaft versions: shafts positioned loosely in the frame profile (e. g. spring-loaded shafts) and shafts threaded into the frame profile (e. g. female threaded shafts).

The figures on the load capacity of threaded shafts do not take into account any possible deflection of the frame profile or the side flanges. Should there be deflection, this will impair the load capacity of the shafts.

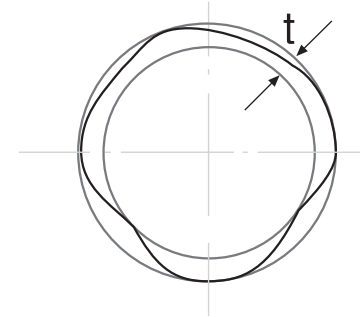
## Maximum load capacity of the bearing assembly

The load capacity of the bearing assembly takes into account the ball bearing, bearing housing and the seal/end cap. The limit values are determined empirically and are only achieved with very short conveyor rollers.

## Concentric Precision of the Conveyor Rollers

Interroll manufactures conveyor rollers from tubes which comply with the DIN standard. This standard permits deviations in concentric precision.

The concentric deviation is the maximum radial deviation of the diameter of the tube from a perfect circle. Thus, for example, a concentric deviation of  $t = 0.3$  mm means that the maximum radial deviation is 0.3 mm over the entire tube.



**Fig.: Concentric deviation (t)**

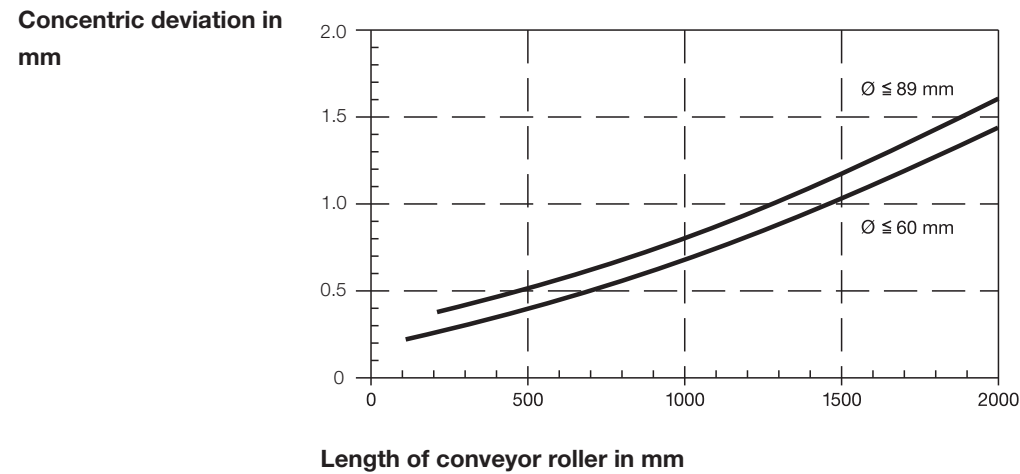
Concentric deviation depends first and foremost on the length and material of the tube. It is all the greater the longer a tube is, especially with polymer tubes.

The following section outlines the concentric deviations for complete conveyor rollers for the different tube materials. The graphs show the average concentric deviation according to the tube length for a certain tube diameter.

Please note that DIN-compliant tubes are permitted significantly higher concentric tolerances than are shown in the following diagrams. For this reason, the guideline values presented can be exceeded in individual cases.

# STRAIGHT CONVEYOR SECTIONS

## Steel tubes

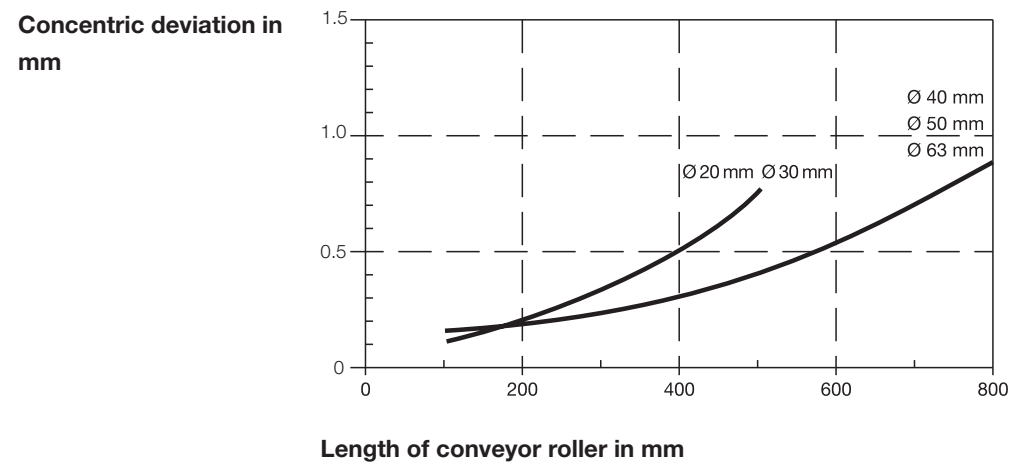


## Polymer tubes

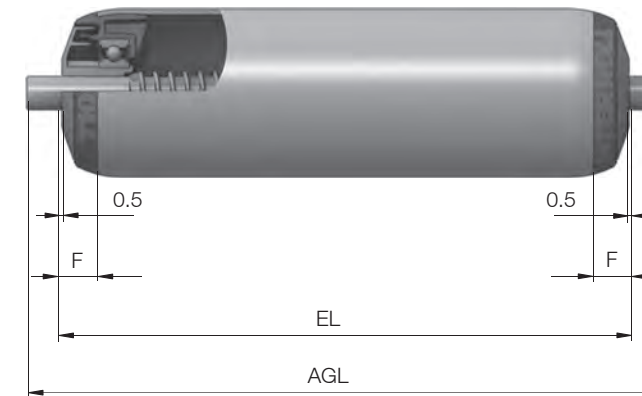
With polymer tubes the concentric deviation increases disproportionately to the length of the tube.

The following lengths should not be exceeded:

Tube diameter mm	Maximum tube length mm
20	400
30	500
40/50	600
63	800
90	1,000



## Length Dimensions of Conveyor Rollers



EL	Installation length: The clearance between the side profiles
AGL	Total length of shaft
F	Length of the bearing assembly, including axial play

The total shaft length corresponds to the installation length with female threaded shaft rollers.

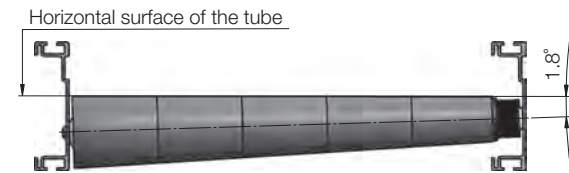
The installation length can only be measured on the conveyor roller with female threaded shafts, as then EL is at one and the same time the length of the shaft. With all other shaft versions, the EL cannot be measured on the conveyor roller as an axial play of 0.5 mm has to be taken into account for each side of the roller.

The reference length/ordering length RL does not have any reference points on the conveyor roller for the following Series: 1100, 1700, 1700 light, 1700KXO, 3500, 3500 light, 3500KXO, 3560, 3800, 3860 and 3870. RL cannot be shown in the dimensional drawing but can be taken from the table of dimensions on the respective product page.



# CURVES

Tapered conveyor rollers convey materials to be transported safely in curves. With tapered conveyor rollers, the conveyor speed increases according to the radius of the curve so that the materials to be transported maintain their alignment between the side profiles. Side guides are recommended but are not imperative.



When designing the curve it is essential to ensure that the tube surface of the tapered elements is horizontal. The shaft of the conveyor roller is inclined by 1.8°.

Interroll's Tapered Conveyor Rollers are suitable for use with curve internal radii of 800/850 mm/770/820 mm where the drive head is on the internal radius.

Platform 1700 Tapered Conveyor Rollers can also be used for an internal curve radius of 650 mm.

Should the specified internal curve radii not be adhered to then the user has to count on the materials not being conveyed smoothly.

The actual clearance of the conveyor should be approx. 50 mm greater than the calculated width to ensure smooth conveyance of the materials around curves. Please select the next higher standard installation length.

Interroll offers two types of Tapered Conveyor Roller, which are both designated as KXO. The first roller is based on the Series 1700 Universal Conveyor Roller and the second on the Series 3500 Fixed Drive Conveyor Roller.

- Tapered polymer tube sleeves:
  - Abrasion-proof
  - Sound reduction
  - Impact-resistant
  - Weather- and temperature-resistant
- Lightweight, hence good running and starting properties
- End cap for tapered elements on the side with the largest diameter
- Load capacity 500 N

## Tapered Conveyor Roller Versions

Tapered conveyor rollers with curved internal radii of 800/850 mm are available in the following versions and materials:

Version	
Roller length	From 250 to 900 mm in increments of 50 mm
Shaft	Female threaded shaft (M8 x 15)
Shaft diameter	12 or 14 mm
Bearing	Precision ball bearing 6002 2RZ Precision ball bearing 6002 2RZ stainless steel
Material	
Inner tube	Zinc-plated steel or stainless steel
Tapered elements	Polypropylene (grey) on a cylindrical inner tube made of zinc-plated steel / stainless steel with an external diameter of 50 mm
Shaft	Uncoated steel or stainless steel
Bearing	Bearing housing made of polyamide (black) Bearing seal made of polypropylene (yellow) End cap for the side with the largest diameter made of polypropylene (yellow)

## Drives Combinable with Tapered Conveyor Rollers

Drives can be combined with an internal curved radius of 800 and 850 mm (or 770/820 mm when the drive head is on the internal radius), providing nothing else is specified. The internal radius of the curve is measured to the internal edge of the internal bearing profile, that is to the beginning of the installation length EL.

The following drive elements are available:

- PolyVee drive head made of high-grade polyamide 6.6 form PJ, ISO 9981, for flexible PolyVee belts



- Round belt head made of high-grade polyamide 6.6 for standard round belts with a diameter of 4, 5 and 6 mm, optional grooving on the extended inner tube on the internal radius of the curve



Drive elements

Series 1700KXO  
/3500KXO with  
an internal  
radius of 650 mm

Tapered Universal  
Conveyor Roller  
Series 1700KXO /  
3500KXO

# CURVES

- Double sprocket head made of high quality polyamide 6.6 with 14 teeth, measuring 1/2" on the external radius of the curve



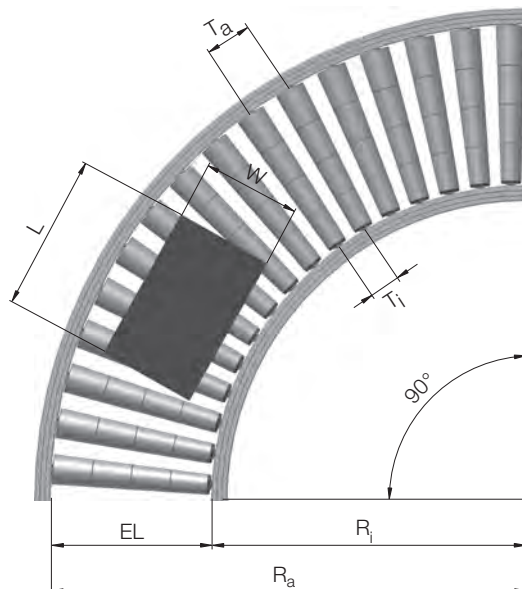
The installation length of curved sections must be longer than that of straight sections to ensure that the material to be transported does not touch the side profiles in the curve. The following steps are necessary to calculate the minimum installation length:

1. Calculate the minimum external radius  

$$R_a = 50 \text{ mm} + \sqrt{(R_i + W)^2 + (L/2)^2}$$
2. Calculate the minimum installation length  $EL_{\min} = R_a - R_i$
3. Adjust the  $EL_{\min}$  to standard length (next higher dimension in increments of 50 mm):
  - From 286 to 936 mm for curves with PolyVee or round belt heads
  - From 312 to 962 mm for curves with 2 sprockets
  - from 250 to 900 mm for non-driven curves
4. Calculate the actual  $R_a = EL + R_i$  with the standard EL selected

The roller pitch  $T_a$  is measured on the internal edge of the external profile and is calculated as follows:

$$T_a = T_i \cdot R_a / R_i$$



EL	Installation length of the conveyor roller
L	Maximum length of material to be transported
W	Maximum width of the material to be transported
$R_a$	External radius of the curve
$R_i$	Internal radius of the curve
$T_a$	Roller pitch on the external diameter
$T_i$	Roller pitch on the internal diameter

### Internal radius of curve for non-driven roller curves

The internal radius of the curve depends on the length of the roller and is:

- 800 mm with a roller length of 300, 400, 500 mm etc.
- 850 mm with a roller length of 250, 350, 450 mm etc.

### Calculating the internal radius of the curve for driven roller curves (PolyVee/round belt head)

The internal radius of the curve depends on the length of the roller and is:

- 770 mm with a roller length of 300, 400, 500 mm etc.
- 820 mm with a roller length of 250, 350, 450 mm etc.

Using a RollerDrive as the drive for driven roller curves has established itself as the most cost-effective and attractive of all drive solutions. Curves with a RollerDrive combined with the aforementioned tapered conveyor rollers are silent, compact and have a simple design.

The average diameter of the tapered elements must be used to calculate the necessary torque and conveyor speed when RollerDrive is used as the drive.

Only flexible PolyVee belts with two ribs combined with Fixed Drive Rollers Series 3500 and PolyVee drive heads can be used as torque transmission.

Internal curve  
radius

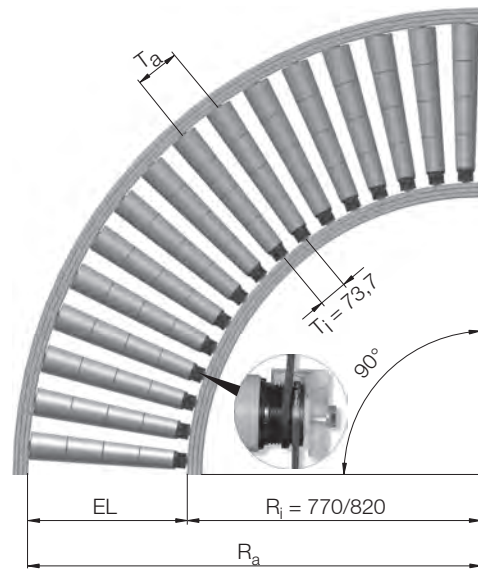
RollerDrive

PolyVee torque  
transmission

Calculating  
the installation  
length (PolyVee/  
round belt head)

Calculating the  
roller pitch on  
the external  
diameter

# CURVES



The projected drive head (RL = EL - 36 mm) produces internal curve radii of 770 and 820 mm.

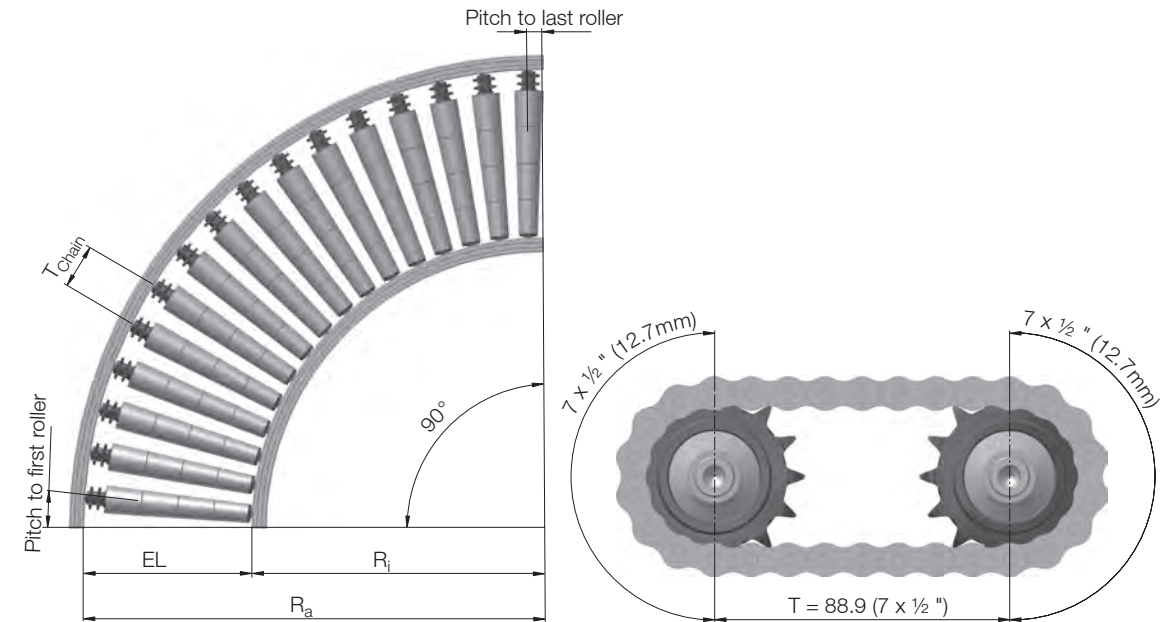
When PolyVee belts (2-ribbed) are used, the roller pitch on the internal radius is defined as  $T_i = 73.7$  mm. If this roller pitch is not feasible, a drive with a round belt or chain will have to be selected.

The pitch for round belt drives and for non-driven curves can be selected at will providing the following conditions are adhered to:

- Safe conveyance of the material to be transported
- No contact between the tapered elements
- First and last conveyor roller has approx. half of the roller pitch (internal radius) at the end of the curve
- Possible standard belt lengths are taken into account

Using a chain as a drive medium only allows a limited number of roller pitches, which always have to be a multiple of the chain pitch of  $\frac{1}{2}$ ". Chain drive is only feasible in a curve using the roller-to-roller method. The pitches from conveyor roller to conveyor roller on the internal and external radius must be calculated individually according to the length and pitch of the roller.

The calculation of the pitch spacings always begins at the external radius in order to guarantee the correct chain tension. Please note when doing so that the sprockets in contact change from roller to roller (internal/external sprocket) and that the pitch only repeats on every second roller. The pitch on the internal radius is determined by the respective roller length.



The following theoretical pitches (measured on the sprocket Z14) have proved themselves in practice:

Number of chain links	Pitch measured on the sprocket mm
28	88.9
30	101.6
32	114.3
34	127.0
36	139.7
38	152.4

The number of conveyor rollers changes according to the length and, thereby, the greater radian on the external radius.

The following information on the number of conveyor rollers required relates to a 90° curve on which a projection to the 90° angle of the side profile has been designed in for equalisation.

Roller length mm	Chain pitch in mm					
	88.9	101.6	114.3	127.0	139.7	152.4
250/300	19	16	14	13		
350/400	20	18	16	14	13	
450/500		19	17	15	14	13
550/600		21	18	17	15	14
650/700			20	18	16	15
750			21	19	17	16
800				19	17	16
850/900				20	18	17

Round belt  
torque  
transmission

Torque  
transmission  
with chains



# ROLLERDRIVE AND DRIVECONTROLS

## RollerDrive

The RollerDrive is based on the Universal Conveyor Roller Series 1700. Their external dimensions are identical. Conveyor installations can therefore be designed more simply with RollerDrives than with conventional AC drives.

The RollerDrive also has the benefits of the Universal Conveyor Roller Series 1700 and its different versions, e. g. the same drive heads are used on the RollerDrive. This drive is ideal for integrating into installations.

The excellent flexibility of conveyor designs using RollerDrives is supported by the design of the controller software and hardware. RollerDrives can be integrated into a number of existing or new installations using universal interfaces.

Electronically and mechanically commutated electric motors form the very heart of the RollerDrive. RollerDrives are extremely quiet owing to the reliable vibration decoupling of the drive unit. This decoupling protects the gears from impact stress. This protection minimises stress on the tooth bases of the gear wheel and thus extends the service life of the RollerDrive.

The motor is coupled to a planetary gear box. The planetary gear box has one to three stages and different reductions. The torque is reliably transmitted to the cylindrical roller sleeve by means of a coaxial compression tube coupling. The RollerDrive is mounted on two bearing housings, which are pressed into the roller sleeve opposite each other. The bearing housings come from the standard parts range or are derived from this.

Please consult your Interroll customer consultant for the RollerDrives ideal for your application. The following factors are critical in this:

- Weight and dimensions of the material to be transported
- Conveyor speed, throughput and cycles per minute
- Material on the underside of the material to be transported (determines the coefficient of friction of the roller)
- Special ambient conditions, such as extremes of temperature, humidity, chemical effects etc.
- Type of RollerDrive control
- Maximum run-on of material to be transported

The run-on is the distance, which the material to be transported covers once the start signal has been cancelled due to its mass inertia on the conveyor.

RollerDrives are protected in accordance with class IP54, with certain versions being protected in accordance with class IP66. The bearing housings are made of conductive polymer. All of the components of the RollerDrive system are protected if the conveyor profiles are earthed properly.

RollerDrives have a fixed motor speed, which can be converted into different conveyor speeds by means of different gear reductions. Details on this can be found in the product-specific sections.

Usually is it not the load capacity that limits the conveyor options but rather the maximum torque of the RollerDrive.

RollerDrives correspond statically to conveyor rollers without continuous shafts with fixed shaft pins. The torque is transmitted only on the fixed motor side.

The RollerDrive must be fixed with the following starting torque:

RollerDrive	Starting torque of the fixing nut
BT 100	40 N/m
BT 100 IP66	15 N/m
EC 310	35 N/m
EC 310 IP66	35 N/m

The side opposite the motor can be an 11 mm hex spring-loaded shaft or an M8 shaft pin.

For safe and reliable conveyance, at least one RollerDrive and two conveyor rollers without their own drives, so-called idlers, have to be located under the material to be transported.

A calculation program for the load capacity can be downloaded on the Interroll website [www.interroll.com](http://www.interroll.com). The shaft type has to be specified as **Round** and the shaft location as **Stub Axle** in the program.

The tube material is principally 50 x 1.5 mm.

The following section presents examples and basic correlations for calculating the output.

If a material to be transported is to be moved on a conveyor perpendicular to the direction of the roller shaft, that is free of transverse force, then the static friction and rolling friction have to be overcome.

The following equation applies to materials to be transported, which are moved at a constant speed along a conveyor track:

$$F = m \cdot g \cdot \mu$$

F	Required tangential force in N
m	Mass in kg
g	Gravitational acceleration 9.81 m/s
$\mu$	Coefficient of friction

### Sample calculation:

Weight of the material to be transported	30 kg
Containers	Polymer box, coefficient of friction $\mu = 0.04$
Speed	0.5 m/s

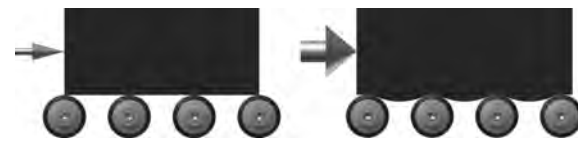
$$F_t = 30 \text{ kg} \cdot 9.81 \text{ m/s} \cdot 0.04 = 11.77 \text{ N}$$

The required tangential force is thus 11.77 N. A roller radius of 25 mm thus requires a torque (Force x Distance) of 0.3 N/m. The required mechanical output (Force x Speed) is 5.9.

# ROLLERDRIVE AND DRIVECONTROLS

Coefficient of friction for container materials:

Material	Coefficient of friction $\mu$
Steel	0.03
PVC, smooth	0.04
Polymer, profiled	0.05
Wood	0.05
Cardboard, rigid	0.06
Cardboard, soft	0.08



The required drive force to convey a material at a constant speed along a conveyor track depends on the condition of the underside of the material to be transported. A minimal force has to be exerted for a rigid, difficult to deform underside, such as a steel container.

A steel container tends, however, towards slippage on the tube sleeve when accelerating and slowing down. Approx. 3 % of the weight of the material is applied as propelling force during constant travel.  $\mu$  is approx. 8 % with a cardboard container. This can be explained by the soft and malleable underside. With a cardboard container, the differential figure is applied to the steel container for the deformation of the underside of the container and is therefore no longer available for the forward motion.

As a conveyor cycle consists of acceleration, constant travel and braking, acceleration is critical for assessing the output.

In the acceleration phase, the static friction is overcome and a transition to significantly lower roller friction takes place. For this reason a power surge can be witnessed at the start of every conveyor cycle.

## DriveControls for RollerDrive

There is a choice of two controls schemes when designing the system: centralised and decentralised. Interroll has systems for both approaches to ensure the extremely flexible use of RollerDrives.

A differentiation is made between two types of controller:

- Motor controllers (DriveControl)
- ZPA Controllers (ZoneControl)

The motor controller ensures the commutation of the EC motor and prevents damage from overloading. The ZPA controller permits the very simple and straightforward set-up of a zero pressure accumulation conveyor and incorporates a motor controller, so that no further motor is then needed.

The RollerDrive BT100 does not require an external controller. An integral bimetal switches off the RollerDrive in the event of it overheating and switches it on automatically when it has cooled down.

The BT Z-Card should be used as ZoneControl for BT100. This enables a simple ZPA conveyor to be straightforwardly set up. For details on the BT Z-Card refer to p 112.

The DriveControl is the ideal control for the RollerDrive EC310. Protection classes IP20 and IP54 are achieved by the use of two different housing designs. The IP54 version of housing is moulded.

All inputs and outputs have their own common signal mass and are therefore separated from the load current mass. The voltage supply can be looped from one to the other DriveControl to simplify cabling.

The speed of the RollerDrive can be adjusted in two different ways using the DriveControl: One the one hand from within using a DIP switch. There are four DIP switches available that permit 15 different speeds. On the other hand from outside, by means of three digital inputs, with which eight different speeds can be set. It is thereby possible simply and easily, for instance with two digital PLC outputs to set and dynamically change two different speeds during operation.

The ZoneControl thus enables a self-controlling zero pressure accumulation conveyor to be set up. Every zone and thus every RollerDrive is connected to a ZoneControl. The individual ZoneControls communicate with each other via CAT5 standard network cables. This cable is available worldwide in different lengths and guarantees excellent connection quality. It is effectively the cable that is used in IT for ethernet connections and it can also be installed quickly and safely.

Two sensors can be connected: a zone sensor in each zone and also a start sensor at the start of the conveyor system. The speed and direction of rotation can be set by means of DIP switches at each ZoneControl and this only affects the individual RollerDrive. An analogue target value input (0 to 10 V) is also available if the speed of the entire conveyor system is also to be dynamically adjusted during operation. The speed can also be adjusted by means of an analogue PLC output.

A status signal and a start input are available to fit the ZoneControl conveyor system into an existing layout. The configuration of the zone sensor can be tapped externally on the status signal. The start input can be used to start the first or last zone of the conveyor so that materials being conveyed are transferred.

It is possible with especially heavy materials that require two RollerDrives as zone drives, to control a second RollerDrive by means of the DriveControl of the ZoneControl. A system-wide error signal reports error functions as a group message. The error can be localised by an error LED and be analysed by different flashing frequencies.

DriveControls  
for BT100

DriveControls  
for EC310

ZoneControl

# MATERIAL SPECIFICATION

## Tubes

Material	Standards	Specification
Uncoated steel and zinc-plated steel	DIN EN 10305-3	Limited tolerances and material specifications by Interroll
Zinc plating	DIN EN 12329 DIN 50961	Galvanized zinc sleeve with additional blue passivation (chromium IV-free) Sleeve complies with RoHS regulations Layer thickness 6 to 15 µm
Stainless steel	DIN 17455	1.4301 (X5CrNi18-10) Limited tolerances by Interroll
Aluminium	-	AW 6060 T66 (AlMgSi 0.5 F22) For 16 mm and 20 mm E6/EV1 , stained, natural and anodised Surface layer thickness 20 µm, isolating and non-conductive For 50 mm mill-finished, unfinished, thus conductive
PVC	2002/95/EC	PVC-U (rigid polyvinyl chloride, softener-free, silicon-free, highly impact-proof) Contains only materials, which have been tested and registered to comply with the REACH Directive (EC No. 1907/2006) Dust grey, RAL 7030

For concentric tolerances refer to p 206

## Bearing

### Precision ball bearings, lubricated (6002 2RZ, 6003 2RZ, 6204 2RZ, 6205 2RZ, 689 2Z)

Standard	DIN 625
Material	Rings and balls are made of stainless steel of material grade 100Cr6 Hardness: 61 ± 2 HRC, with metal cages
Bearing play	C3
2RZ Seal	Non-grinding 2-lip seal with labyrinth effect manufactured from steel-reinforced acrylonitrile-butadiene rubber (NBR)
2Z Seal	Non-grinding cover discs made of sheet steel
Lubrication	Multi-grade grease, silicon-free
Temperature range	-30 °C to +177 °C

### Precision ball bearing, lubricated (6002 2RZ)

Standard	DIN 625
Material	Rings and balls are made of stainless steel of material grade 100Cr6 Hardness: 61 ± 2 HRC, with metal cages
Bearing play	C3
2RZ Seal	Non-grinding 2-lip seal with labyrinth effect manufactured from steel-reinforced acrylonitrile-butadiene rubber (NBR)
Lubrication	Multi-grade oil, silicon-free
Temperature range	-30 °C to +80 °C

### Precision ball bearings made of stainless steel, lubricated (6002 2RZ)

Standard	DIN 625
Material	Rings and ball made of stainless steel, material 1.4125 (X105CrMo17), with a material grade to comply with AISI 440C Hardness: 56 ± 2 HRC, with polyamide cages
Bearing play	C3
2RZ Seal	Non-grinding 2-lip seal with labyrinth effect manufactured from steel-reinforced acrylonitrile-butadiene rubber (NBR)
Lubrication	Multi-grade grease, silicon-free
Temperature range	-30 °C to +177 °C

### Steel cone bearing 50 x 1.5 , lubricated

Material	Wheel body material DX53D + Z, zinc-plated Bearing parts, hardened
Lubrication	Multi-grade grease, silicon-free
Temperature range	-30 °C to +110 °C

### Polymer bearing

Material	External ring and cone made of polypropylene Balls made of carbon steel or stainless steel
Lubrication	Multi-grade grease, silicon-free
Temperature range	-30 °C to +40 °C



# MATERIAL SPECIFICATION

## Shafts

Material	Standards	Specification
Uncoated steel and zinc-plated steel	DIN EN 10277-3	1.0715 (11SMn30) Limited tolerances and material specifications by Interroll
Zinc plating	DIN EN 12329 DIN 50961	Galvanized zinc sleeve with additional blue passivation (chromium IV-free) Sleeve complies with RoHS regulations Layer thickness 6 to 15 µm
Stainless steel	DIN EN 10088-23	1.4305 (X5CrNi18-9) Limited tolerances by Interroll

For concentric tolerances refer to p 206

## Drives

The technical data on the Interroll PolyVee belt is outlined in the following section.

Please contact the relevant manufacturer for information on all other drives.

Standards	ISO 9982 (DIN 7867) profile PJ for 2- and 3-ribbed V-ribbed belts (PolyVee)
Material	Complies with the 2002/95/EC (RoHS) Directive Contains only materials, which have been tested and registered to comply with the REACH Directive (EC) No. 1907/2006 Halogen-free, silicon-free, PVC-free, flame-resistant
Certification	UL-certified
Hardness	Rear 82 Shore A, Ribs 55 Shore A
Electrical conductivity	< 7 MΩ
Temperature range	-20 to +90 °C
Dimensions	In accordance with ISO 9982 (DIN 7867) profile PJ

PolyVee Belts

# MATERIAL SPECIFICATION

## Technical Polymer

Interroll uses parts made of polymer in almost all conveyor elements. Polymer has many advantages over steel:

- Sound reduction
- Limited food-compatibility
- Easy to clean
- Excellent impact strength
- Corrosion resistance
- Lower weight
- High quality design

Polymer	Properties	Uses
Polyamide (PA)	<ul style="list-style-type: none"> <li>• Outstanding mechanical properties</li> <li>• Excellent wear resistance</li> <li>• Low coefficient of friction</li> <li>• Good chemical resistance</li> </ul>	Sprocket heads, seals and bearing seats
Polypropylene (PP)	<ul style="list-style-type: none"> <li>• Low specific weight</li> <li>• Excellent heat resistance</li> <li>• Not hygroscopic</li> <li>• Good chemical resistance</li> </ul>	Wheels, seals and bearing seats
Polyvinyl chloride (rigid PVC)	<ul style="list-style-type: none"> <li>• Scratch-resistant</li> <li>• Impact-resistant</li> <li>• Good chemical resistance</li> </ul>	Tubes for polymer conveyor rollers
Polyoxymethylene (POM)	<ul style="list-style-type: none"> <li>• Outstanding mechanical properties</li> <li>• Excellent wear resistance</li> <li>• Low coefficient of friction</li> <li>• Very dimensionally stable</li> <li>• Minimal absorption of water</li> <li>• Used on parts which require a very high level of precision</li> </ul>	Toothed belt heads and slide bearings

Polymer is sub-divided according to its chemical resistance:

Symbol	Meaning	Explanation
++	Very good resistance	Continuous exposure to the medium causes no damage
+	Generally resistant	Continuous exposure to the medium can cause damage, which is reversible when no longer exposed to the medium
-	Mostly non-resistant	Only resistant if there are optimum ambient and application conditions but generally some damage is to be expected
--	Completely non-resistant	The medium may not come into contact with the polymer

The information given in the following tables is intended only as a guideline, as many factors can have an effect on a plastic's resistance including

- Duration of exposure and concentration of the medium
- Temperature
- Exposure to force
- UV exposure

A thorough suitability test of the polymer to be used by the user is indispensable.

	Polyamides	POM (polyoxy-methylene)	Soft PVC	Rigid PVC	Polypropylene
Ethers	++	++	-	++	-
Alcohols, lower	++	++	++	-	++
Petrol	++	+	--	++	-
Esters	++	--	--	--	-
Fats	++	++	-	++	+
Hydrofluoric acid	--	--	-	-	-
Ketones	++	-	--	--	++
Hydrocarbons, aliphatic	++	++	--	++	++
Hydrocarbons, aromatic	++	+	--	--	-
Hydrocarbons, chlorinated	-	++	--	--	--
Hydrocarbons, unsaturated, chlorinated	+	++	--	--	--
Brine, weak	+	++	++	++	++
Brine, strong	-	++	-	++	++
Mineral oil	++	++	-	++	-
Oils	++	++	-	++	+
Acids, oxidising	--	--	-	--	--
Acids, weak	--	-	++	++	++
Acids, strong	--	--	++	-	--
Acids, strong, organic	-	++	-	+	++
Saline solutions, inorganic	++	++	++	++	++
Turpentine	-	-	--	--	--
Fuel mixture	+	++	--	--	-
Water	++	++	++	++	++

Benefits

Properties and applications

Resistance

# INTERROLL – CORPORATE ART

Art has a positive influence on the work environment and the internal processes governing these structures. Interroll Corporate Art is to channel this creative potential to create a dialogue that embraces art and business as vehicles of communication and to establish an environment in which the spirit of thought is allowed to flourish.



He lives in dreams. He loves the dark arts and arising out of the unconscious. All this is what Steffen Geisler represents in grandiose spatial art with theatre-like installations and bold imagery.



This Berlin artist allowed his unusual works to convert the familiar into the alien and the alien into the familiar when his art was exhibited at Interroll's Swiss headquarters in Sant'Antonino – thus, he provokes. To think about – to rethink – to consider in advance.

He stimulates the explorer's spirit and challenges toward innovative creativity. Exactly into that which turns even good conveyor technology into something decisively better.







Офіційний дистриб'ютор в Україні

Тел.: (057) 714-09-09

[www.irbis.ua](http://www.irbis.ua)